



# Aeraqua

PROTEIN SKIMMER **Duo**

Owner's Manual

Bedienungsanleitung

Mode d'emploi

Manual de Usuario

Manual do Proprietário

Instrukcja Obsługi

Manuale del proprietario

使用说明书

使用說明書





## User Memo

***Dear Customer,***

Thank you for purchasing this product.

For optimum performance and safety, please read these instructions carefully.

**EN**

### **User Memo:**

Date of purchase: \_\_\_\_\_

Dealer name: \_\_\_\_\_

Dealer address: \_\_\_\_\_

Dealer website: \_\_\_\_\_

Dealer email: \_\_\_\_\_

Dealer phone no.: \_\_\_\_\_

**Please visit us on Facebook or Twitter!**



<https://www.facebook.com/Maxspect>

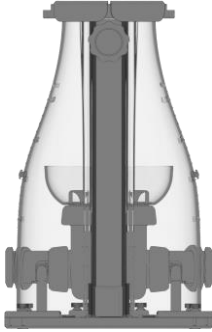


<http://twitter.com/maxspectled>

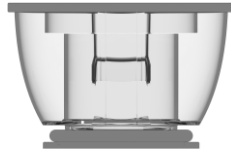
# Package Content

Please check the content in the package.

**EN**



x1



x1



x1



x1



x1



x1



x4



Spare Parts

x2

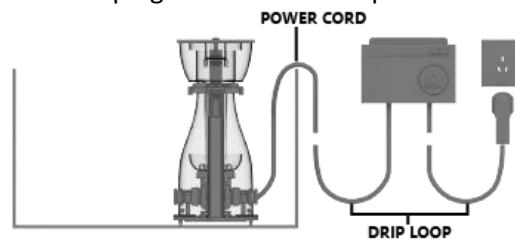
## Precautions

Before using this **Maxspect™ Aeraqua Duo Protein Skimmer** please read these operating instructions carefully. Take special care to follow the safety suggestions listed below. Afterwards keep this manual handy for future reference.

EN

### READ AND FOLLOW ALL SAFETY INSTRUCTIONS

1. **DANGER** – To avoid possible electric shock, special care should be taken since water is employed in the use of aquarium equipment. For each of the following situations, **DO NOT** attempt to repair by yourself; return the appliance to an authorized service facility for service or discard the appliance.
  - a) If the appliance shows any sign of abnormal water leakage, immediately unplug it from the power source.
  - b) Carefully examine the appliance after installation. It should not be plugged in if there is water on parts not intended to be wet.
  - c) **DO NOT** operate any appliance if it has a damaged cord or plug, or if it is malfunctioning or has been dropped or damaged in any manner.
  - d) To avoid the possibility of the appliance plug or receptacle getting wet, position aquarium stand and tank to one side of a wall-mounted receptacle to prevent water from dripping onto the receptacle or plug. A “drip-loop” shown in the figure, should be arranged by the user for each cord connecting an aquarium appliance to a receptacle. The “drip-loop” is that part of the cord below the level of the receptacle, or the connector if an extension cord is used, to prevent water traveling along the cord and coming in contact with the receptacle. If the plug or socket does get wet, **DO NOT** unplug the cord. Disconnect the fuse or circuit breaker that supplies power to the appliance. Then unplug and examine for presence of water in the receptacle.

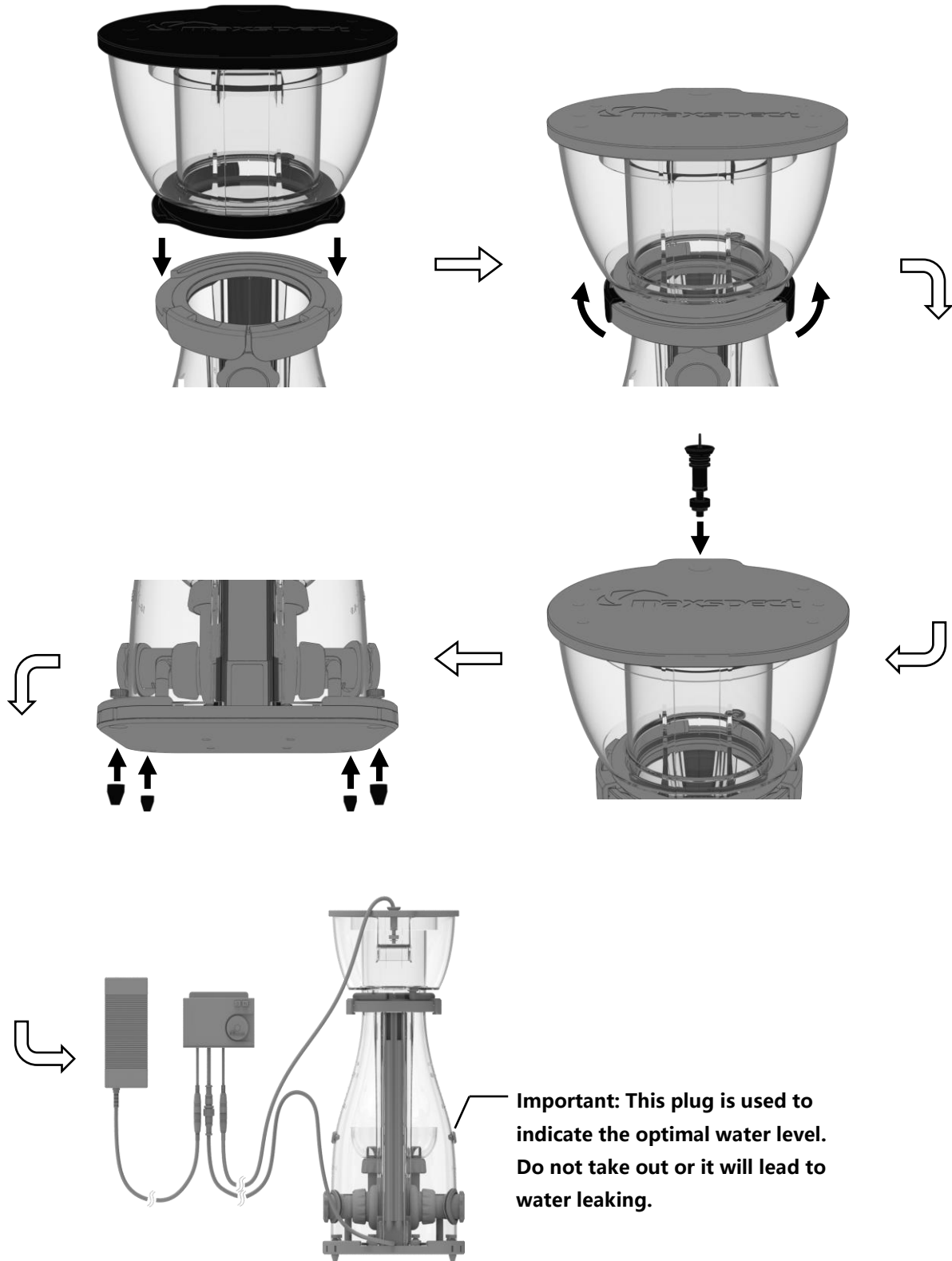


2. Close supervision is necessary when any appliance is used by or near children.
3. To avoid injury, **DO NOT** contact moving parts or hot parts such as heaters, reflectors, lamp bulbs, and the like.
4. Always unplug an appliance from an outlet when not in use, before putting on or taking off parts, and before cleaning. Never yank cord to pull plug from outlet. Grasp the plug and pull to disconnect.
5. **DO NOT** use an appliance for other than intended use. The use of attachments not recommended or sold by the appliance manufacturer may cause an unsafe condition.
6. **DO NOT** install or store the appliances where it will be exposed to the weather or to temperatures below freezing.
7. Make sure an appliance mounted on a tank is securely installed before operating it.
8. Read and observe all the important notices on the appliance.
9. If an extension cord is necessary, a cord with a proper rating should be used. A cord rated for less amperes or watts than the appliance rating may overheat.

# Installation

Remove all the packing materials before assembling.

EN



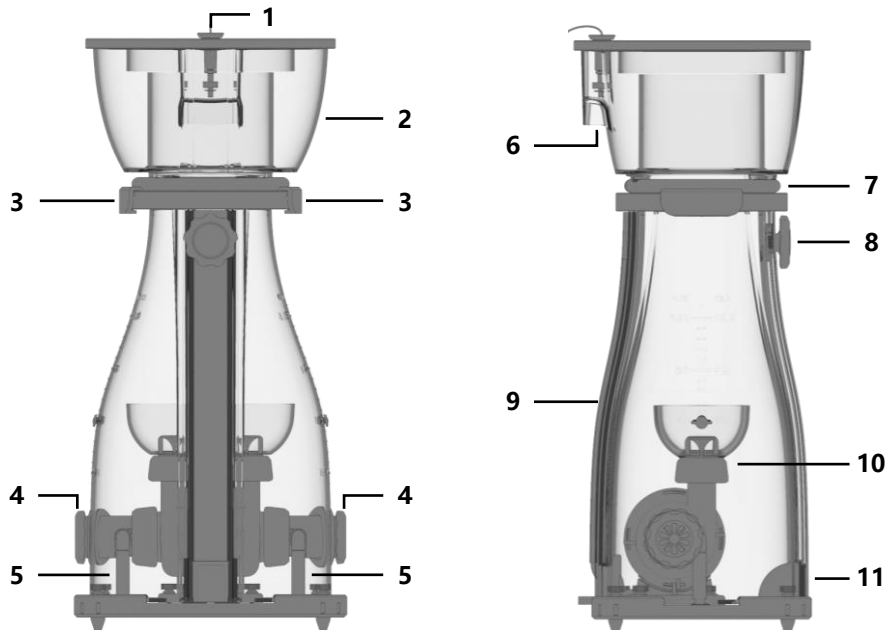
# Preview

EN

## Preview

Maxspect™ Aeraqua Duo Protein Skimmer is different from most of similar products sell in the market, it is a brand new design skimmer features with several advantages.

- **Dual Water Inlets:** Aeraqua Duo features dual water inlets(4) which allow the skimmer sucks water from both sides of the skimmer. Fully close either side of the inlets allows it sucks water from inside of the skimmer. This makes better water filtration for the aquarium.
- **Dual Needle Wheels:** Each water inlet features dual needle wheels. One is spinning while the other one is static. This unique design makes the bubbles generated even smaller and in higher density compare to most of the traditional skimmers which using needle wheel technology.
- **Highly Integrated:** Aeraqua Duo is a highly integrated skimmer with both the water level adjustor(8) and air hose(9) are integrated in the body of the skimmer. This saves more space for the sump and is more convenient for the maintenance.
- **Over Flow Sensor:** Aeraqua Duo features an over flow sensor(1) which can detect the water level of the collection cup and send warning signal when necessary.



- |                      |                         |                         |
|----------------------|-------------------------|-------------------------|
| 1. Over Flow Sensor  | 5. Air Hose             | 9. Air Hose             |
| 2. Collection Cup    | 6. Cup Handle           | 10. Dual Bubble Outlets |
| 3. Quick Release     | 7. Drain Hose           | 11. Water Outlet        |
| 4. Dual Water Inlets | 8. Water Level Adjustor |                         |

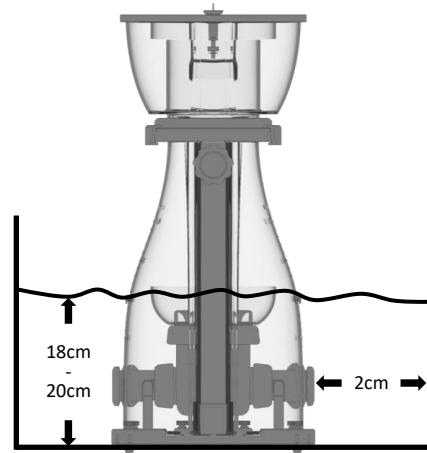
## Positioning and Commissioning

### Positioning

To position the Aeraqua Duo Protein Skimmer in a proper place, there are some rules should be followed:

EN

- Before putting the skimmer into the sump, it is recommended to clean it with fresh water.
- Place the skimmer in a sump compartment where the water level is in consistent height. An auto top-up system may be needed to keep the water level.
- Place the skimmer in a place where is free of debris, gravel, sand, shells and small objects.
- The optimal water level of the skimmer is in between 18-20cm/7.1"-7.9".
- Each side of water inlet requires at least 2cm /1inch space.
- The water outlet requires at least 2cm/1inch space.
- For indoor use only.



### Commissioning (Break-in)

After positioning the skimmer in the proper place. It is ready to put it into operation. However, before the skimmer can perform optimally, it requires a break-in period which may last from minutes to days of time. It depends on many factors such as: the adhesive residues, fats or other similar impurities left in the skimmer, or chemistry, feeding and surface tension of the water etc. To tune the skimmer, there are three ways you can choose.

- **Controller:** You can adjust the working speed of the pump by setting parameter through the controller.
- **Water Inlets:** Both the water inlets are turnable. To each of them you can:
  1. Adjust the water volume sucks from outside of the skimmer.
  2. Suck water from both inside and outside of the skimmer.
  3. Suck water from inside of the skimmer only.
- **Water outlet:** You can control the water volume flowing out of the skimmer by turning the water level adjustor(8).

The response of any adjustment change is delayed in time. For detailed operation, please read "Operation" section.



# Operation

EN

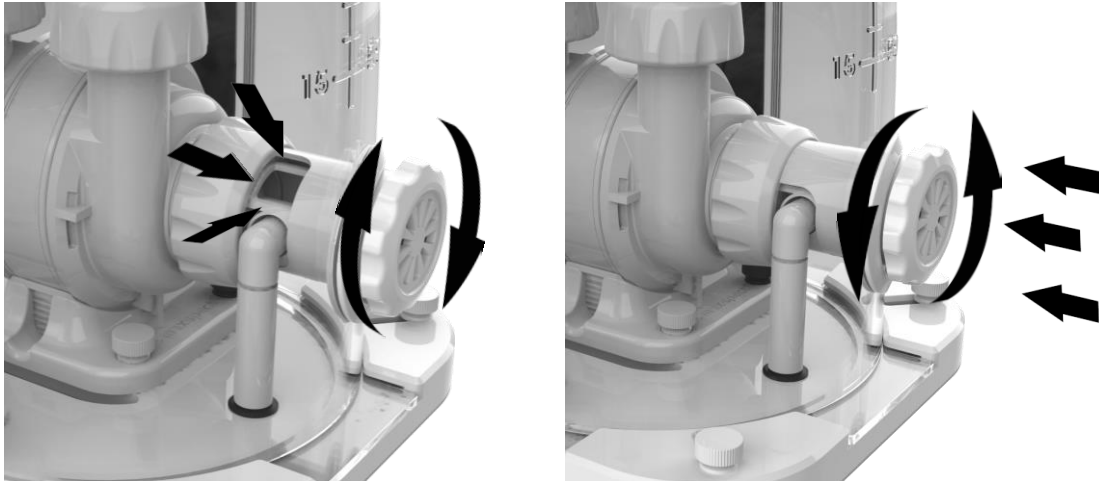
Aeraqua Duo Protein Skimmer features three different ways for you to adjust the foaming performance.

## 1. Water Inlets

Aeraqua Duo’s unique design allows you to choose the ways of drawing water into the skimmer by turning the water inlets.

For example, if there is a certain amount of fish and corals.

- 1) For a 400-750L/100-200gal aquarium, if it means high bio-load to the aquarium, it is suggested to open 80 percent of one water inlet to draw water from outside of the skimmer while fully close the other one to make it internal recirculation.
- 2) For a 750-1,250L/200-325gal aquarium, if it means medium bio-load to the aquarium, it is suggested to fully open one water inlet to draw water from outside of the skimmer while open 30-50 percent of the other one to draw water from both inside and outside of the skimmer.
- 3) For a 1,250-1,700L/325-450gal aquarium, if it means low bio-load to the aquarium, it is suggested to fully open both of the water inlets to draw water from outside of the skimmer.

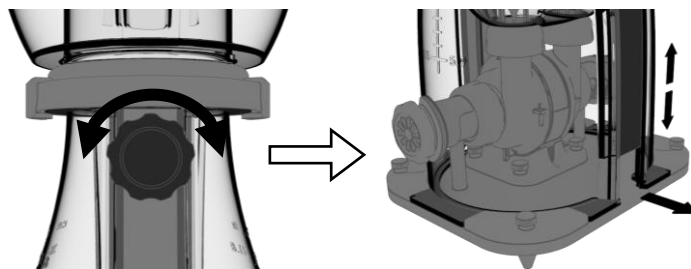


The suggestion mentioned above is only a general guideline helping to explain the use of water inlets. Which is suitable for your aquarium will be verified only after carefully tuning observing of the skimmer.

**IMPORTANT: DO NOT FULLY CLOSE BOTH OF THE WATER INLETS AT THE SAME TIME.**

## 2. Water Outlet

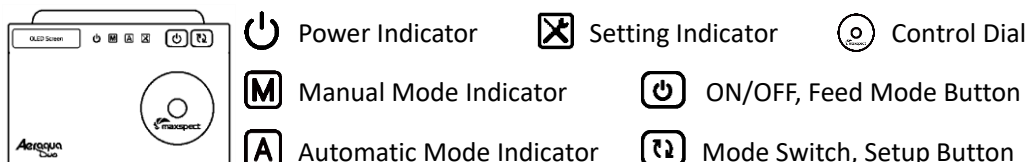
You can control the water level by Turning the water level adjustor.



## 3. Controller

EN

### Controller Unit Introduction

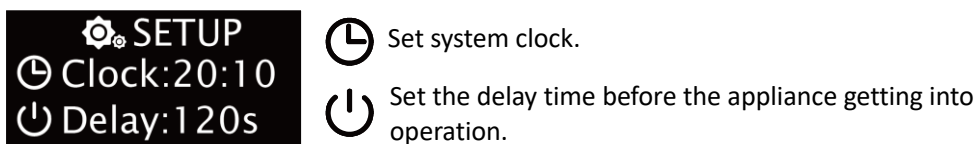


### Turn ON/OFF the Skimmer

Press the ON/OFF button over 3s can turn on or off the appliance. While the appliance is turned off, the appliance will stop working, the indicators and OLED screen of the controller will be shut down. However, if the appliance is connected to an ICV6 (sold separately), it can be activated by the SYNA-G App.

### Initialize the Skimmer

Before putting the skimmer into operation, there are some basic settings you need to do for the system.



1.  Enter setup page.
2.  Switch between settings.
3.  Set parameter.
4.  Save the setting.

**Note: Delay Time** allows you to set a duration for the appliance, when the appliance is connected to power it will keep stop working for a period of time and then starts to work. This is useful especially when the appliance is restored to power after power failure to avoid the overflowing of the collection cup. Available settings: OFF, 10s(default), 30s, 60s, 120s, 180s, 300s.

### System Setup

To enter the System Setup page, first disconnect PSU from the controller unit, then press and hold the control dial and reconnect the PSU. Keep on holding the control dial until the system setup page is shown on OLED monitor.



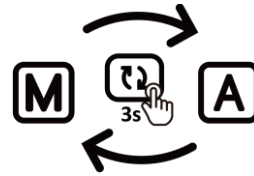
1. Upgrade or downgrade system's firmware.
2. Reset user setting to default factory setting.
3. This function should only be conducted by the users when told by authorized dealer or customer representative to perform certain test on the appliance.
4. Model Selection.
5. Reboot the system to the normal operating status.

# Operation

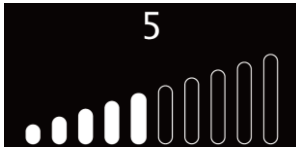
EN

## Switch between Modes

**Auto Mode:** There are at most 8 time points for you to set different working speeds which will be recycled every 24hrs.  
**Manual Mode:** Manually set the working speed of the pump.



## Manual Mode



5 Current working speed.

Working speed indicator.

- Enter setup page.
- Set parameter.
- Save the setting.

Note: Leave without operation for 30s will also save the setting.

## Auto Mode



1 Current duration. 09:00 Current time.

8 Current working speed. Working speed indicator.

- Enter setup page.
- Switch between settings.
- Set parameter.
- Save the setting.

Note: Leave without operation for 30s will also save the setting.

## Feed Mode



1. Enter/Exit the Feed Mode. 2. Enter setup page.

3. Switch between settings. 4. Set parameter.

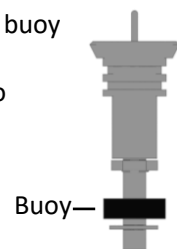
5. Save the setting.

## Overflow Detection



**Overflow Warning:** Pump turns OFF immediately when the buoy of the sensor is floating on the water, "FULL" shown on the display, LED Logo flashing on the controller. Sensor starts to detect in 10s interval.

**Back to Operation:** If the buoy is back to its normal position, the pump will recover to the previous working status. "Full" disappears. LED Logo is constant on.

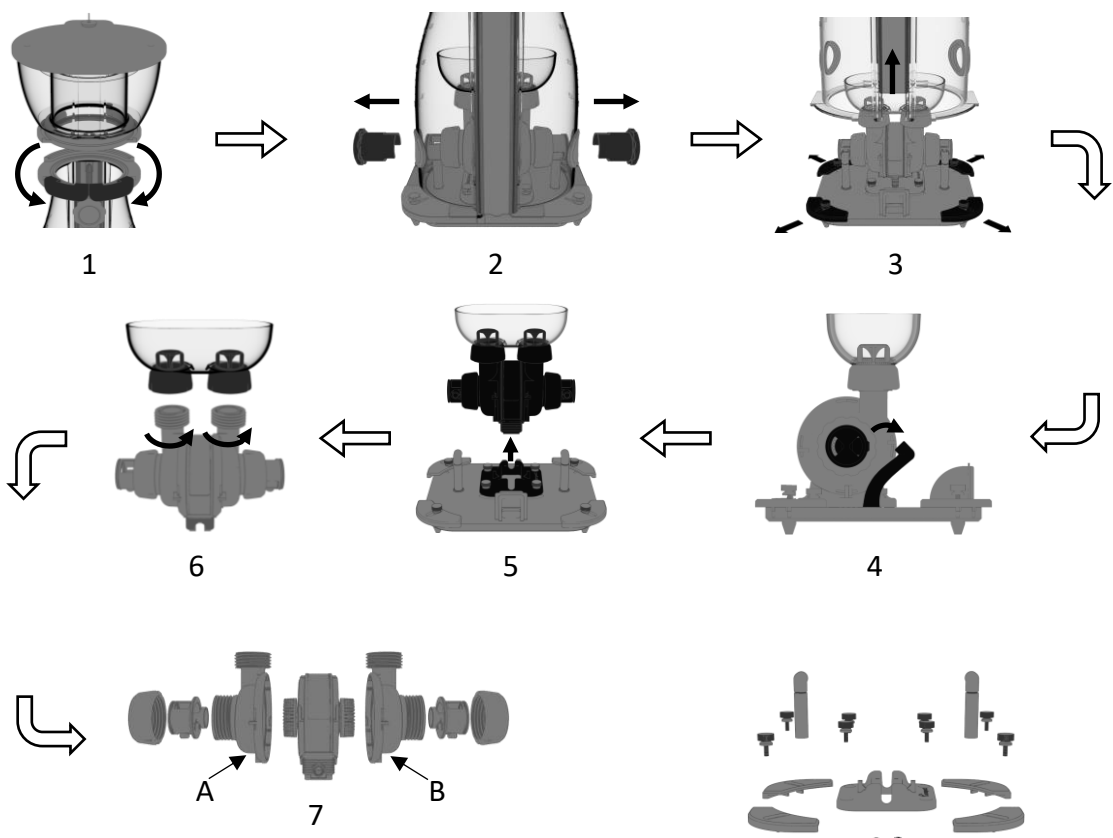


# Maintenance

## Maintenance of the Appliance

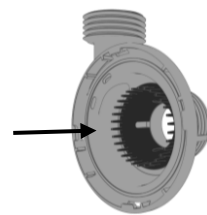
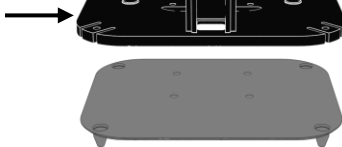
EN

The Maxspect™ Aeraqua Duo Protein Skimmer can be completely disassembled for maintenance, cleaning and servicing. This is done in the order of the steps described below. Due to the harsh conditions of a saltwater aquarium and resulting buildup of algae and other organic matter, it is advisable to clean the pump to ensure the longevity of appliance. Maxspect recommends doing a cleaning every 6 months or as necessary. If there is calcium buildup, it may be necessary to soak these parts in a mild acid solution such as vinegar. DO NOT use strong acids, because these may damage the components. After cleaning, reassemble the appliance.



1. The base integrated with air intake silencer also needs to be cleaned while cleaning the skimmer.

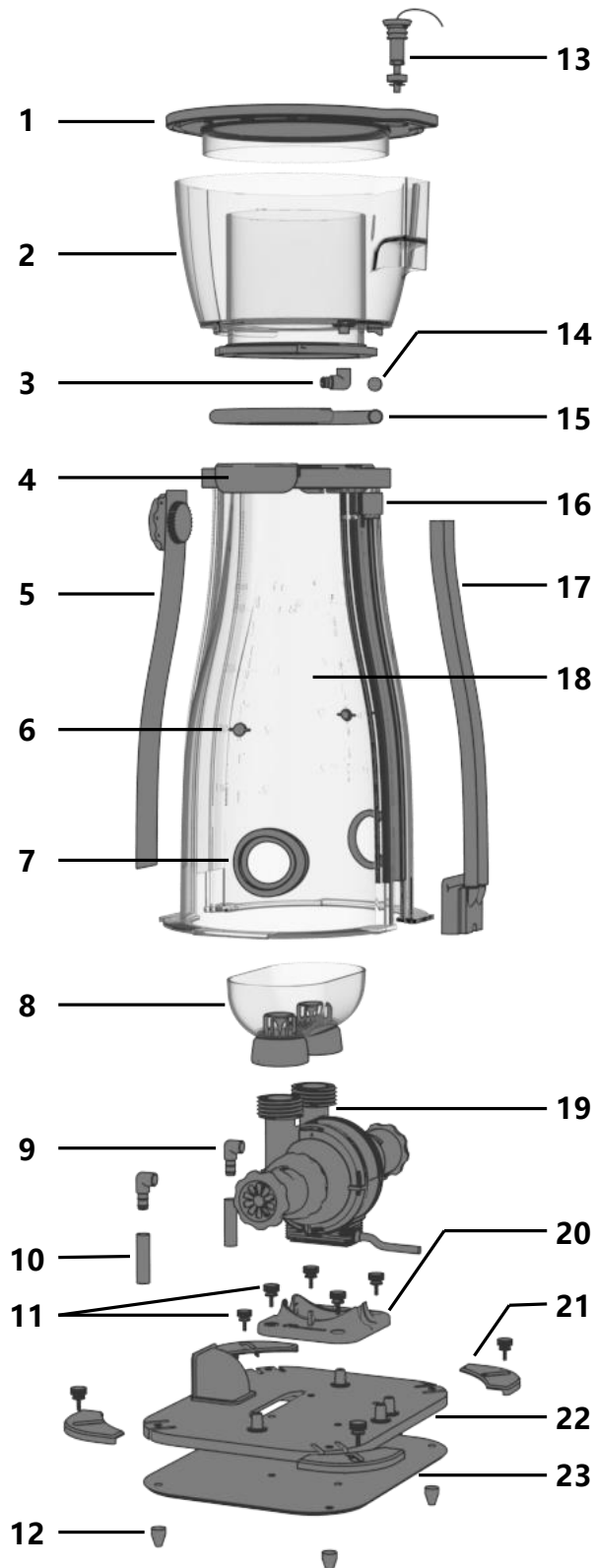
- 2. DO NOT disassemble the static needle wheel (Ref. Step 7).
- 3. The housing integrated with static needle wheel must be installed on the correct side when reassemble the pump. (Ref. step 7)



# Spare Parts

EN

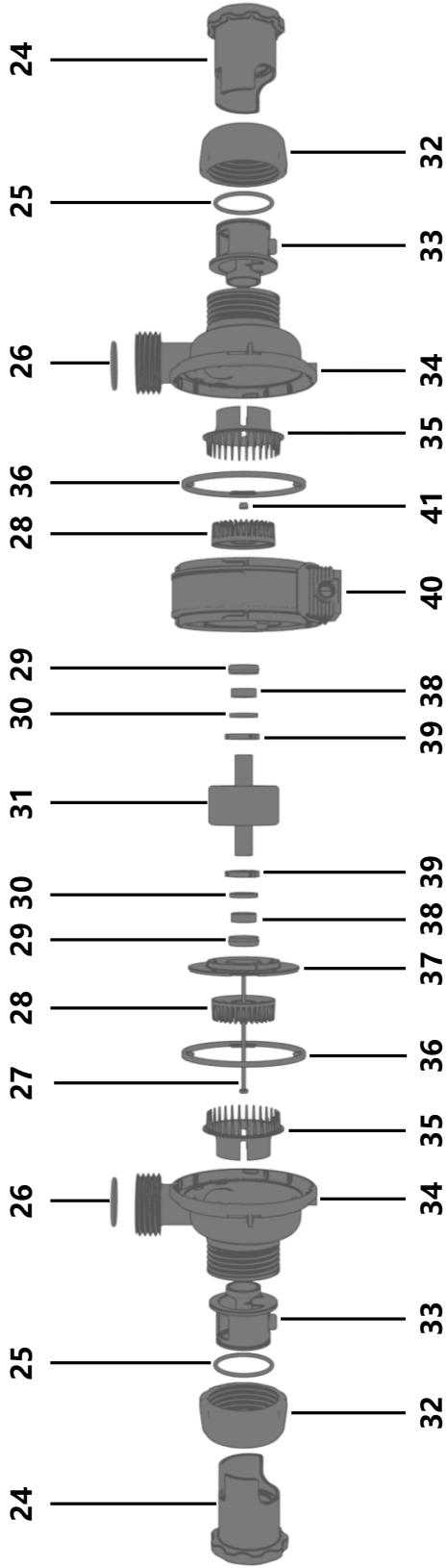
## Skimmer



No.	Name	QTY
1	Cup Cover	1
2	Collection Cup	1
3/9	Hose Connector	3
4	Quick Release	2
5	Water Level Adjustor	1
6	Optimal Water Level Plug	2
7	Water Inlet Seal	2
8	Bubble Cup	1
10	Air Hose	2
11	Pump/Skimmer Base Screw	8
12	Skimmer Pad	4
13	Overflow Sensor	1
14	Drain Hose Plug	1
15	Drain Hose	1
16	Air Intake Connector	1
17	Air Hose	1
18	Skimmer Body	1
19	Pump Body	1
20	Pump Base	1
21	Body Lock	4
22	Skimmer Base	1
23	Back Plate	1

EN

## Pump



No.	Name	QTY	No.	Name	QTY	No.	Name	QTY
24	Water Inlet Adjustor	2	30	Ceramic Bearing	2	36	Silicon Seal	2
25	Silicon Seal	2	31	Rotor	1	37	Rotor Cover	1
26	Silicon Seal	2	32	Water Inlet Nut	2	38	Bearing	2
27	Titanium Screw	1	33	Air/Water Mixer	2	39	Silicon Pad	2
28	Spinning Needle Wheel	2	34	Needle Wheel Housing	2	40	Stator	1
29	Silicon Pad	2	35	Static Needle Wheel(undetactable)	2	41	Titanium Nut	1

## Warranty

Maxspect (HongKong) Limited warrants all **Maxspect™ Aeraqua Duo Protein Skimmer** products against defects in workmanship for a period of 12-months from the date of purchase. If a defect exists during the warranty period, Maxspect (HongKong) Limited at its option will either repair (using new or remanufactured parts) or replace (with a new or remanufactured unit) the product at no charge.

EN

THE WARRANTY WILL NOT APPLY TO THE PRODUCT IF IT HAS BEEN DAMAGED BY MISUSE, ALTERATION, ACCIDENT, IMPROPER HANDLING OR OPERATION, OR IF UNAUTHORIZED REPAIRS ARE ATTEMPTED OR MADE. SOME EXAMPLES OF DAMAGES NOT COVERED BY WARRANTY INCLUDE, BUT ARE NOT LIMITED TO, USING AFTER-MARKET LED BULBS AND MODIFICATION OF THE CIRCUITRY, WHICH ARE PRESUMED TO BE DAMAGES RESULTING FROM MISUSE OR ABUSE.

### **DISCLAIMER OF CONSEQUENTIAL AND INCIDENTAL DAMAGES:**

You and any other user of Maxspect (HongKong) Limited products shall not be entitled to any consequential or incidental damages, including without limitation, loss of use of the unit, inconvenience, damage to personal property, phone calls, lost income or earnings. This warranty gives you specific legal rights and you may also have other rights, which vary from state to state.

**MAXSPECT LTD. MAKES NO WARRANTY OR REPRESENTATION, EITHER EXPRESS OR IMPLIED, WITH RESPECT TO THE PRODUCT'S QUALITY, PERFORMANCE, MERCHANTABILITY, OR FITNESS FOR A PARTICULAR PURPOSE. AS A RESULT, THIS PRODUCT, IS SOLD "AS IS," AND YOU THE PURCHASER ASSUME THE ENTIRE RISK AS TO ITS QUALITY AND PERFORMANCE.**

**IN NO EVENT WILL MAXSPECT LTD BE LIABLE FOR DIRECT, INDIRECT, SPECIAL, INCIDENTAL, OR CONSEQUENTIAL DAMAGES RESULTING FROM ANY DEFECT IN THE PRODUCT OR ITS DOCUMENTATION.**

The warranty, disclaimer, and remedies set forth above are exclusive and replace all others, oral or written, expressed or implied. At no time will any Maxspect (HongKong) Limited dealers, agents, or employees be authorized to make any modifications, extension, or addition to this warranty.

Some states do not allow the exclusion or limitation of implied warranties or liability for incidental or consequential damages, so the above limitation or exclusion may not apply to you.

**Note:** For the latest specifications of the product, please visit: [www.maxspect.com](http://www.maxspect.com)

EN





## Nutzer-Memo

***Sehr geehrter Kunde,***

vielen Dank für den Kauf dieses Produkts.

Für eine optimale Leistung und Sicherheit, lesen Sie bitte diese Anleitung sorgfältig.

### **Nutzer-Memo:**

Kaufdatum	_____
Händler:	_____
Händleradresse:	_____ _____
Händlerwebsite:	_____
Händler-E-Mail:	_____
Händlertelefon	_____

**DE**

**Bitte besuchen Sie uns auf Facebook oder Twitter!**



<https://www.facebook.com/Maxspect>

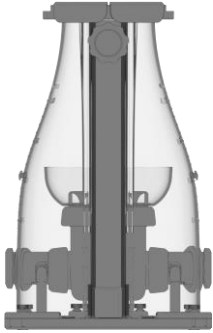


<http://twitter.com/maxspectled>

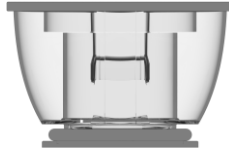
## Packungsinhalt

Bitte überprüfen Sie den Lieferumfang auf Vollständigkeit.

DE



x1



x1



x1



x1



x1



x1



x4



38

Ersatzteile

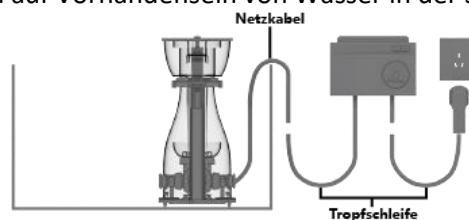
x2

## Sicherheitshinweise

Vor der ersten Inbetriebnahme des **Maxspect™ Aeraqua Duo Protein Skimmer** sollten Sie diese Bedienungsanleitung sorgfältig lesen. Bitte beachten Sie die folgenden Sicherheitshinweise mit großer Sorgfalt. Bewahren Sie diese Anleitung auch zum späteren Nachschlagen auf.

### LESEN UND FOLGEN SIE ALLE SICHERHEITSHINWEISE

1. **GEFAHR** - Um einen möglichen elektrischen Schlag zu vermeiden, sollte besondere Vorsicht geboten werden, da Wasser bei der Verwendung von Aquariengeräten eingesetzt wird. Für jede der folgenden Situationen, versuche nicht, selbst zu reparieren; Bringen Sie das Gerät an eine autorisierte Kundendienststelle zurück oder werfen Sie das Gerät.
  - a) Wenn das Gerät irgendwelche Anzeichen einer anormalen Wasserleckage aufweist, ziehen Sie es sofort aus der Stromquelle.
  - b) Das Gerät nach der Installation sorgfältig prüfen. Es sollte nicht eingesteckt werden, wenn es Wasser auf nicht beabsichtigte Teile gibt.
  - c) Betreiben Sie das Gerät nicht, wenn es beschädigtes Kabel oder Stecker hat oder wenn es fehlerhaft ist oder in irgendeiner Weise fallengelassen oder beschädigt wurde.
  - d) Um die Möglichkeit zu vermeiden, dass der Gerätestecker oder die Steckdose nass wird, positionieren Sie den Aquarienständer und den Tank auf eine Seite einer Wandsteckdose, um zu verhindern, dass Wasser auf die Steckdose oder den Stopfen tropft. Eine "Drip-Loop", die in der Abbildung gezeigt wird, sollte vom Benutzer für jede Schnur angeordnet werden, die ein Aquariumgerät mit einer Steckdose verbindet. Die "Tropfschleife" ist der Teil des Kabels unterhalb des Niveaus des Behälters oder der Stecker, wenn ein Verlängerungskabel verwendet wird, um zu verhindern, dass Wasser entlang der Schnur fährt und mit dem Behälter in Berührung kommt. Wenn der Stecker oder die Steckdose nass wird, ziehen Sie den Netzstecker nicht ab. Trennen Sie die Sicherung oder den Schutzschalter, der das Gerät mit Strom versorgt. Dann trennen und prüfen auf Vorhandensein von Wasser in der Steckdose.



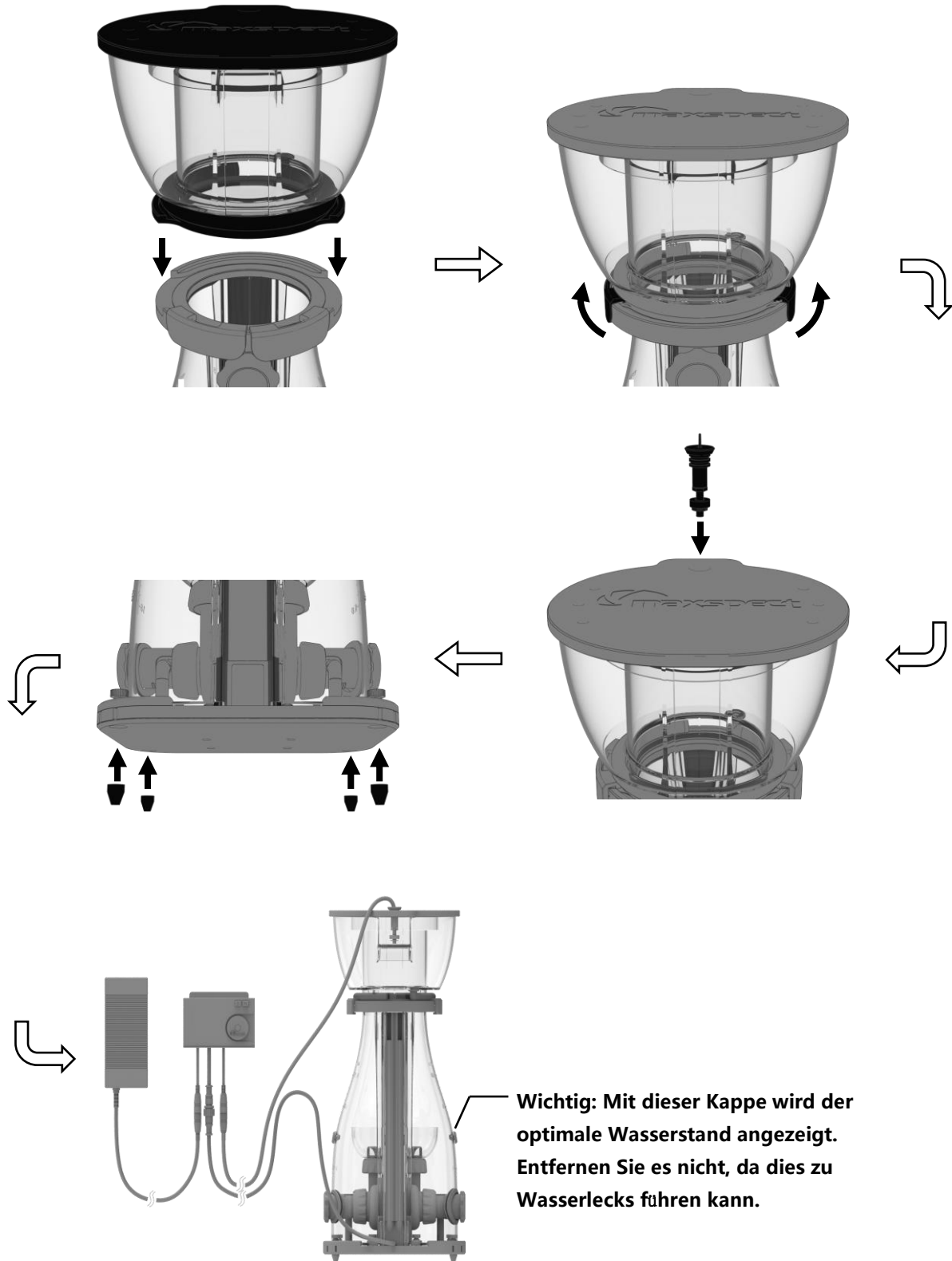
2. Die Überwachung ist erforderlich, wenn ein Gerät von oder in der Nähe von Kindern benutzt wird.
3. Um Verletzungen zu vermeiden, wenden Sie sich nicht an bewegliche Teile oder heiße Teile wie Heizkörper, Reflektoren, Lampenkolben und dergleichen.
4. Ziehen Sie das Gerät immer aus der Steckdose, bevor Sie es benutzen, bevor Sie es anziehen oder abnehmen, bevor Sie es reinigen. Niemals das Kabel ziehen, um den Stecker aus der Steckdose zu ziehen. Fassen Sie den Stecker an und ziehen Sie ihn abziehen.
5. Verwenden Sie kein Gerät für andere als den vorgesehenen Gebrauch. Die Verwendung von Anhängen, die vom Gerätehersteller nicht empfohlen oder verkauft werden, kann zu einem unsicheren Zustand führen.
6. Installieren oder lagern Sie die Geräte nicht dort, wo sie dem Wetter ausgesetzt sind, oder Temperaturen unter dem Gefrierpunkt.
7. Stellen Sie sicher, dass ein Gerät, das an einem Tank montiert ist, vor dem Betrieb sicher installiert ist.

DE

# Installation

Entfernen Sie alle Verpackungsmaterialien vor dem Zusammenbau.

DE

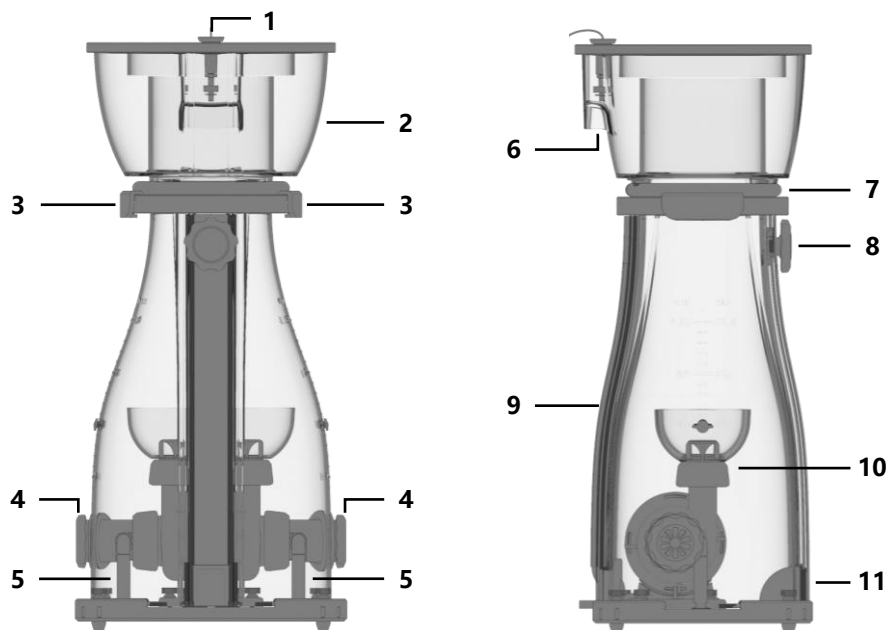


## Vorschau

Der Maxspect™ Aeraqua Duo Eiweißabschäumer unterscheidet sich von den meisten ähnlichen Produkten, die auf dem Markt verkauft werden. Es ist ein brandneues Eiweißabschäumer -Design mit mehreren Vorteilen.

- **Zwei Wassereinlässe:** Aeraqua Duo verfügt über zwei Wassereinlässe (4), durch die der Eiweißabschäumer Wasser von zwei Seiten ansaugen kann. Wenn einer der Einlässe vollständig geschlossen ist, wird vom Eiweißabschäumer auch Wasser von innen angesaugt, was die Wasserfiltration für das Aquarium verbessert.
- **Doppelnadelräder:** Jeder Wassereinlass hat zwei Nadelräder, eines dreht sich, während das andere statisch ist. Dieses einzigartige Design macht die erzeugten Bläschen noch kleiner und dichter im Vergleich zu den meisten herkömmlichen Eiweißabschäumer mit Nadelradtechnologie.
- **Alles integriert:** Aeraqua Duo ist ein Eiweißabschäumer bei dem alles integriert ist, sowohl der Wasserstandsregler (8) als auch der Luftschlauch (9) sind im Körper des Eiweißabschäumers integriert. Dies spart mehr Platz im Technikbecken und ist bequemer für die Wartung.
- **Überlaufsensor:** Aeraqua Duo verfügt über einen Überlaufsensor (1) der den Wasserstand im Schaumbehälter erfassen und bei Bedarf ein Warnsignal senden kann.

DE



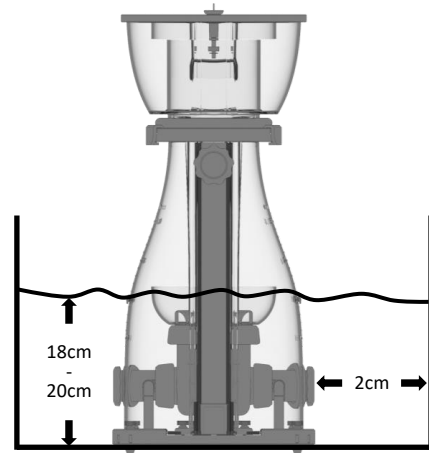
- |                            |                       |                         |
|----------------------------|-----------------------|-------------------------|
| 1. Überlaufsensor          | 5. Luftzufuhrschlauch | 9. Luftzufuhrschlauch   |
| 2. Schaumbehälter          | 6. Behältergriff      | 10. Doppelblasenauslass |
| 3. Schnellöffnung          | 7. Ablaufschlauch     | 11. Wasseraustritt      |
| 4. Doppelter Wassereinlass | 8. Wasserstandsregler |                         |

# Aufstellung und Inbetriebnahme

## Aufstellung

Um den Aeroqua Duo Eiweißabschäumer an einem geeigneten Ort aufzustellen, sind einige Regeln zu beachten:

- Bevor Sie den Eiweißabschäumer in das Technikbecken stellen wird empfohlen, ihn mit klarem Wasser zu reinigen.
- Stellen Sie den Eiweißabschäumer in einen Bereich in dem sich der Wasserstand in gleichbleibender Höhe befindet. Möglicherweise ist ein automatisches Nachfüllsystem erforderlich, um den Wasserstand zu halten. Place the skimmer in a place where is free of debris, gravel, sand, shells and small objects.
- Der optimale Wasserstand des Abschäumers liegt zwischen 18 und 20 cm.
- An jeder Seite des Wassereinlasses ist mindestens ein Abstand von 2 cm nötig.
- Am Wasserauslass sind auch mindestens 2 cm Abstand nötig.
- Nur für den Innenbereich.



DE

## Inbetriebnahme (Einlaufzeit)

Nachdem der Eiweißabschäumer an der richtigen Stelle aufgestellt wurde, kann er in Betrieb genommen werden. Bevor der Skimmer jedoch eine optimale Leistung erbringen kann, ist eine Einlaufzeit von Minuten bis Tagen erforderlich. Dies hängt von vielen Faktoren ab, wie z. B. Klebstoffrückständen, Fett oder anderen Verunreinigungen im Eiweißabschäumer, Ergänzungsprodukten, Oberflächenspannung des Wassers und der Fütterung usw.

- **Controller:** Sie können den Pumpenfluss anpassen, indem Sie die Parameter über den Controller einstellen.
- **Wassereinlässe:** Beide Wassereinlässe sind drehbar. Bei jedem können Sie:
  1. die Wassermenge einstellen, die außerhalb des Eiweißabschäumers angesaugt wird.
  2. die Wassermenge einstellen, die von innerhalb und außerhalb des Eiweißabschäumers angesaugt wird.
  3. die Wassermenge nur von der Innenseite des Eiweißabschäumers aus einstellen.
- **Wasserauslauf:** Sie können die Wassermenge einstellen, die aus dem Eiweißabschäumer austritt, indem Sie den Wasserstandsregler (8) drehen.

Die Reaktion auf eine Anpassungsänderung ist zeitlich verzögert. Einzelheiten zur Bedienung können Sie im Abschnitt „Betrieb“ lesen.

# Bedienungsanleitung

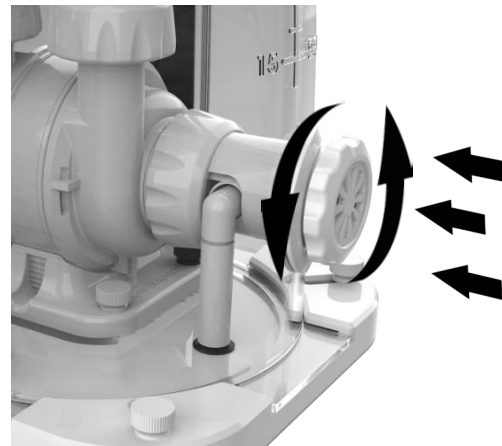
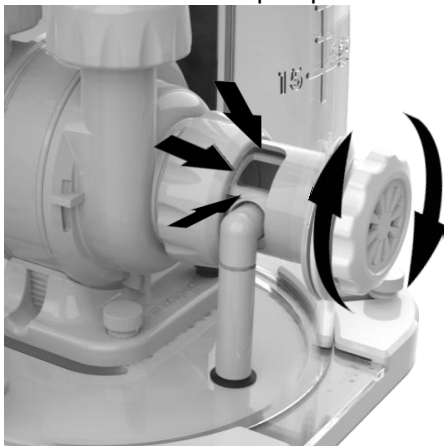
Der Aeraqua Duo Eiweißabschäumer bietet drei verschiedene Möglichkeiten, die Schaumleistung einzustellen.

## 1. Wassereinlass

Das einzigartige Design des Aeraqua Duo ermöglicht es Ihnen, durch Drehen der Wassereinlässe auszuwählen, wie das Wasser in den Eiweißabschäumer angesaugt werden soll.

Zum Beispiel, wenn es eine bestimmte Menge an Fischen und Korallen gibt.

- 1) Für ein Aquarium von 400-750L/100-200gal, mit einer großen Menge von Tieren, empfehlen wir einen Wassereinlass des Abschäumers mit 80% zu öffnen um Wasser von außen zu pumpen und den anderen Wassereinlass vollständig zu schließen um das Wasser in dem Abschäumer zurückzuführen.
- 2) Für ein Aquarium von 750-1250L/200-325gal, mit einer durchschnittlichen Menge von Tieren, empfehlen wir einen Wassereinlass des Abschäumers vollständig zu öffnen und den anderen Wassereinlass mit 30% bis 50% zu öffnen, um das Wasser in den Abschäumer gleichzeitig zu pumpen und zurückzuführen.
- 3) Für ein Aquarium von 1250 bis 1700 L/325-450gal mit einer kleinen Menge von Tieren, empfehlen wir, die beiden Wassereinlässe des Abschäumers vollständig zu öffnen, um das Wasser von außen zu pumpen.

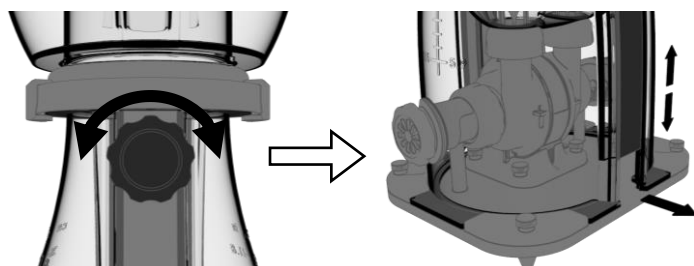


Der oben erwähnte Vorschlag ist jedoch nur ein allgemeiner Leitfaden, der die Verwendung von den zwei Wassereinlässen erklärt. Was für Ihr Aquarium am besten geeignet ist, werden Sie nur nach sorgfältiger Beobachtung und Einstellung des Eiweißabschäumers feststellen.

**WICHTIG: SCHLIESSEN SIE NICHT BEIDE WASSEREINLÄSSE GLEICHZEITIG.**

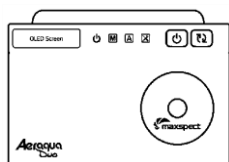
## 2. Wasseraustritt






Sie können den Wasserstand durch Drehen des Wasserstandsreglers kontrollieren.



## 3. Kontrolleur

### Steuereinheit Einführung



-  Power-Anzeige
-  Einstellanzeige
-  Einstellrad
-  Manuellen-Modusanzeige
-  ON / OFF, Futtermodus-Taste
-  Automatik-Modusanzeige
-  Modus-Taste, Setup-Taste

DE



### Ein- / Ausschalten des Eiweißabschäumers





Die ON / OFF-Taste 3s lang gedrückt halten um die Pumpe ein- oder ausschalten. Wurde ausschalten gewählt, schalten sich die Pumpe, sowie die Anzeigen und der OLED-Bildschirm der Steuereinheitlers, aus. Wenn die Pumpe jedoch über einen ICV6 angeschlossen ist (separat erhältlich), kann diese trotzdem über die Syna-G App gesteuert werden.

### Initialisieren des Eiweißabschäumers

Bevor Sie Ihre Eiweißabschäumers in Betrieb nehmen, müssen einige Grundeinstellungen vorgenommen werden.



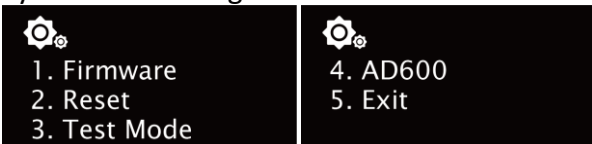
-  Stellen Sie die.
-  Stellen Sie die Verzögerungszeit ein, bevor das Gerät in Betrieb geht.



1.  Einstellungsseite aufrufen.
2.  Zwischen den Einstellungen wechseln.
3.  Parameter einstellen.
4.  Einstellungen speichern.

**Hinweis:** Mit der Verzögerungszeit können Sie eine Zeitdauer einstellen bevor das Geräts startet. Wenn das Gerät an das Stromnetz angeschlossen wird, bleibt es für die bestimmte Zeit stehen und startet wenn die Wartezeit verstrichen ist. Dies ist besonders nützlich, wenn das Gerät nach einem Stromausfall wieder mit Strom versorgt wird, um ein Überlaufen des Schaumbehälters zu vermeiden. Mögliche Einstellungen: OFF, 10s (Standard), 30s, 60s, 120s, 180s, 300s.

### Systemeinrichtung

Um auf die Systemeinrichtungsseite zuzugreifen, trennen Sie zuerst die Stromversorgung von der Leitung A des Controllers und halten Sie dann das Einstellrad gedrückt, während Sie die Stromversorgung wieder anschließen. Halten Sie den Drehregler gedrückt, bis die Systemeinrichtungsseite auf dem OLED-Monitor angezeigt wird.



1.  Wechseln Sie zwischen den Funktionen.
2.  Übernehmen Sie die Funktion.

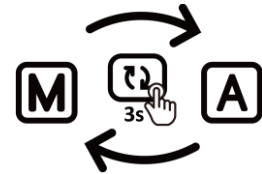
1. Upgrade oder Downgrade der Firmware des Systems.
2. Setzt die Benutzereinstellungen auf die Werkseinstellungen zurück.
3. Dies sollte nur erfolgen, wenn ein autorisierter Fachhändler es von dem Benutzer verlangt, um einen bestimmten Test auf dem Gerät durchzuführen.
4. Modellauswahl.
5. Starten des Systems in den normalen Betriebszustand.



# Bedienungsanleitung

## Switch between Modes

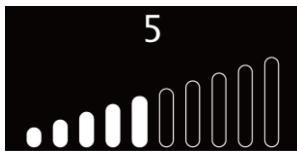
**Automatikmodus:** In diesem Modus können 8 Zeitpunkte programmiert werden, um verschiedene Geschwindigkeiten für die Pumpe einzustellen. Diese Zeitpunkte werden alle 24 Stunden wiederholt.




**Manueller Modus:** Manuelles Einstellen der Arbeitsgeschwindigkeit der Pumpe.




DE

### Manueller Modus



5 Aktuelle Arbeitsgeschwindigkeit.

 Arbeitsgeschwindigkeitsanzeige

1.  Einstellungsseite aufrufen.
2.  Parameter einstellen.
3.  Einstellungen speichern.

Hinweis: Wenn Sie den Controller 30 Sekunden lang nicht berühren, werden die Einstellungen automatisch gespeichert.





### Auto-Modus



1 Aktueller Zeitpunkt.

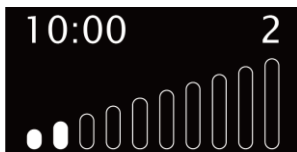
09:00 Aktuelle Uhrzeit.


8 Aktuelle Arbeitsgeschwindigkeit.  Leistungsanzeige.

1.  Einstellungsseite aufrufen.
2.  Zwischen den Einstellungen wechseln.
3.  Parameter einstellen.
4.  Einstellungen speichern.


Hinweis: Wenn Sie den Controller 30 Sekunden lang nicht berühren, werden die Einstellungen automatisch gespeichert.

### Futter-Modus




1.  Eingabe / Verlassen des Futter-Modus.

2.  Einstellungsseite aufrufen.

3.  Zwischen den Einstellungen wechseln.

4.  Parameter einstellen.

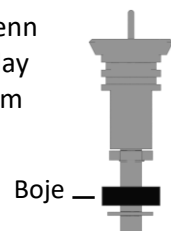
5.  Einstellungen speichern.

### Überlauferkennung



**Überlaufwarnung:** Die Pumpe schaltet sich sofort aus, wenn die Boje des Sensors auf dem Wasser schwimmt. Im Display wird „FULL“ angezeigt und die Logo-Anzeige blinkt auf dem Controller. Der Sensor erkennt im 10s-Intervall.

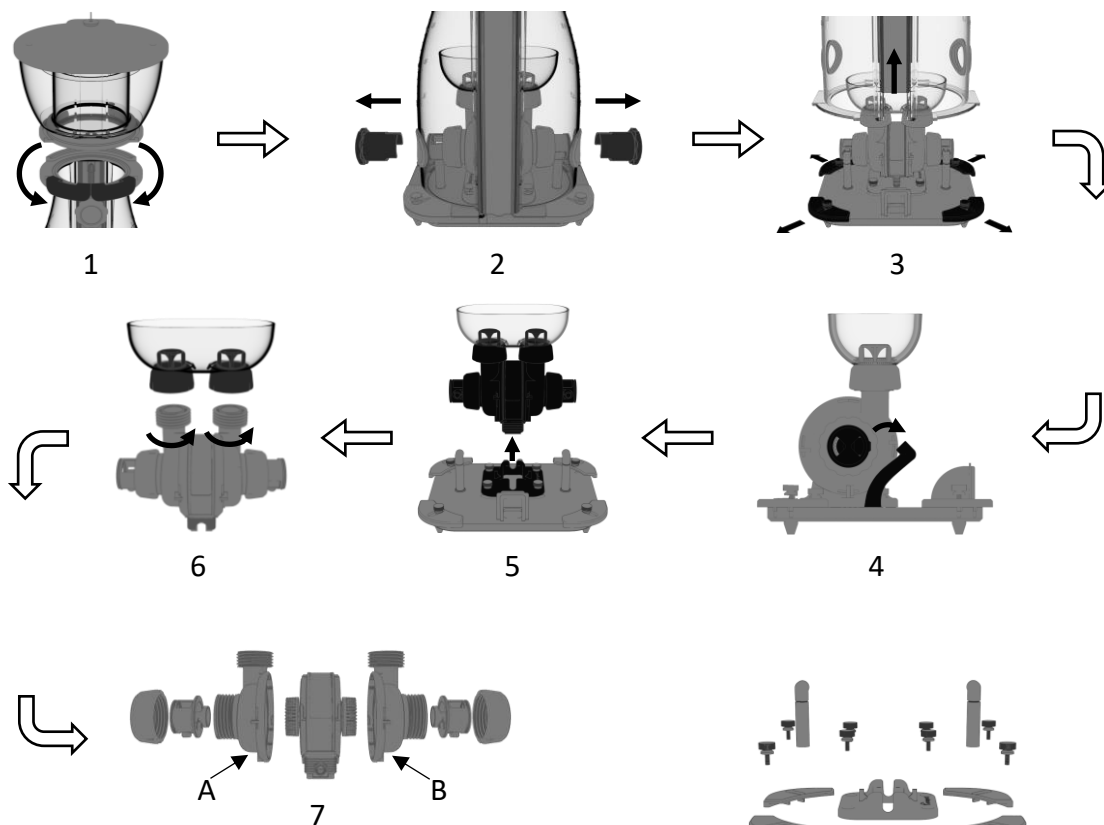
**Zurück zum Betrieb:** Wenn sich die Boje wieder in ihrer normalen Position befindet, kehrt die Pumpe zum vorherigen Arbeitsstatus zurück. "Full" verschwindet und die Logo-Anzeige ist konstant an.



## Wartung der Appliance

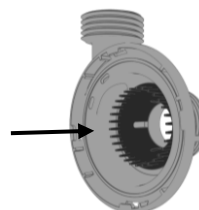
Der Maxspect™ Aeraqua Duo Eiweißabschäumer kann zur Wartung, Pflege und Reinigung vollständig zerlegt werden. Dies erfolgt in der Reihenfolge der unten beschriebenen Schritte. Aufgrund der harten Bedingungen in einem Meerwasseraquarium und der daraus resultierenden Ansammlung von Algen und anderen organischen Stoffen ist es ratsam, die Pumpe zu reinigen, um die Lebensdauer des Geräts zu gewährleisten. Maxspect empfiehlt, die Reinigung alle 6 Monate oder so oft wie nötig durchzuführen. Wenn sich Kalk oder Kalkstein gebildet hat, müssen diese Teile möglicherweise in einer milden Säurelösung wie Essig eingeweicht werden. Verwenden Sie KEINE starken Säuren, da diese die Komponenten beschädigen können. Vergewissern Sie sich nach der Reinigung, dass Sie das Gerät gründlich abspülen und wieder zusammenbauen.

DE



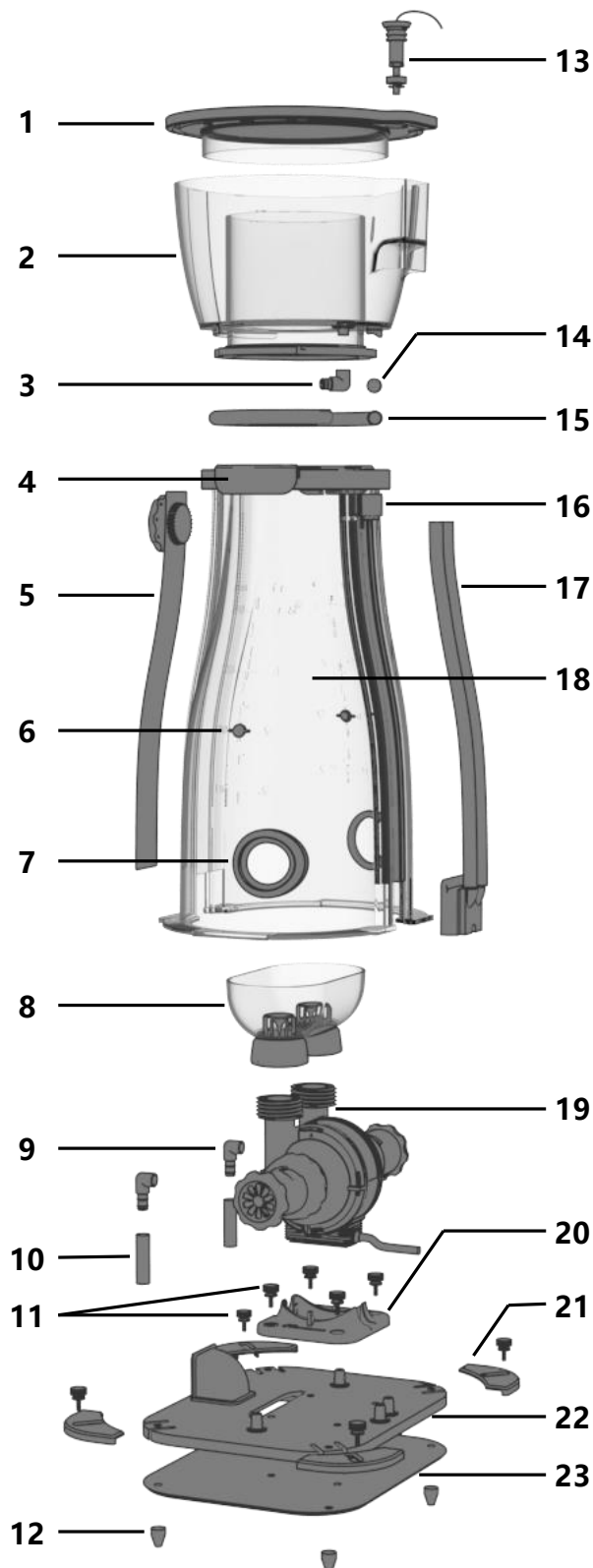
1. Die mit dem Ansaugeräuschkämpfer integrierte Basis muss auch während der Reinigung des Skimmers gereinigt werden.

- 2. NICHT das statische Nadelrad zerlegen. (Siehe Schritt 7)
- 3. Das mit dem statischen Nadelrad integrierte Gehäuse muss auf der richtigen Seite installiert werden, wenn die Pumpe wieder zusammgebaut wird. (Ref. Schritt 7)



# Ersatzteile

## Eiweißabschäumer

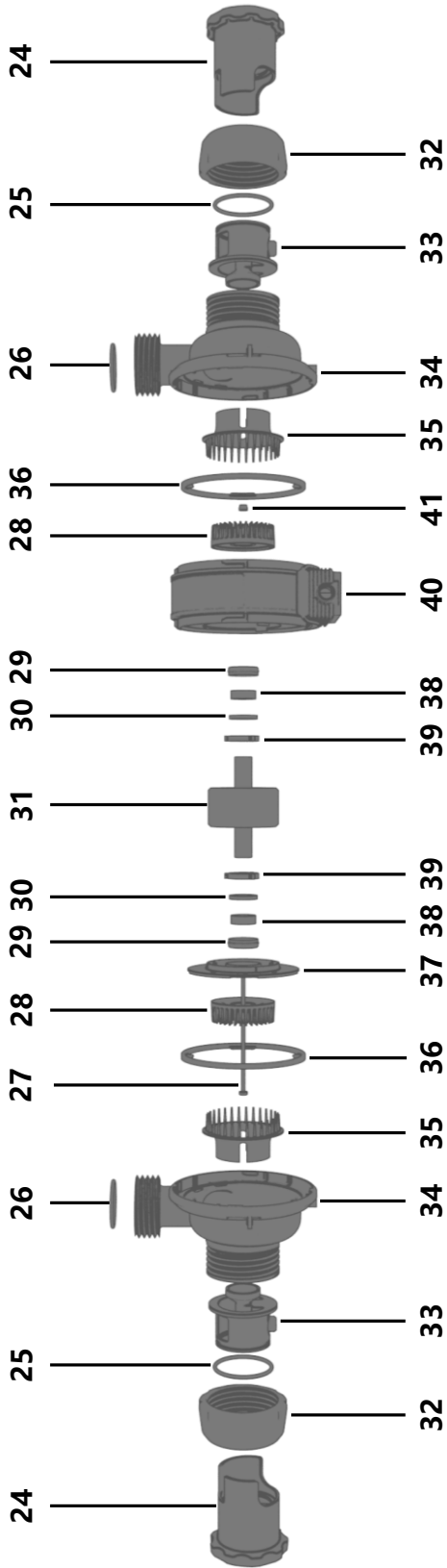


No.	Name	QTY
1	Behälterdeckel	1
2	Schaumbehälter	1
3/9	Schlauchanschluss	3
4	Schnellöffnung	2
5	Wasserstandsregler	1
6	Optimaler Wasserstandstöpsel	2
7	Wassereinlassdichtung	2
8	Blasenschale	1
10	Luftzufuhrschlauch	2
11	Schraube zur Befestigung der Pumpe an der Basis	8
12	Anti-Vibrations-Silikonfuß	4
13	Überlaufsensor	1
14	Ablaufschlauchkappe	1
15	Ablaufschlauch	1
16	Schalldämpfer	1
17	Luftzufuhrschlauch	1
18	Eiweißabschäumerkörper	1
19	Pumpenkörper	1
20	Pumpenbasis	1
21	Körperschluß	4
22	Eiweißabschäumerbasis	1
23	Hintere Platte	1

DE

DE

## Pumpe



No.	Name	QTY	No.	Name	QTY	No.	Name	QTY
24	Wassereinlass-Einsteller	2	30	Keramiklager	2	36	Silikonichtung	2
25	Silikonichtung	2	31	Rotor	1	37	Rotorabdeckung	1
26	Silikonichtung	2	32	Spannmutter für Luft / Wasser-Mischer	2	38	Lager	2
27	Titanschraube	1	33	Luft / Wasser-Mischer	2	39	Silikonkissen	2
28	Drehendes Nadelrad	2	34	Nadelradgehäuse	2	40	Stator	1
29	Silikonkissen	2	35	Statisches Nadelrad (unauffindbar)	2	41	Titanmutter	1

Maxspect Ltd. haftet für alle Produkte des Maxspect™ gegen Mängel in der Ausführung für einen Zeitraum von 12 Monaten ab dem Kaufdatum. Wenn ein Mangel während der Garantiezeit vorliegt, wird Maxspect Ltd das Produkt kostenlos nach eigenem Ermessen entweder reparieren (mit neu- oder Austauschteilen) oder das Produkt ersetzen (durch ein neues oder ein Austauschgerät).

DIE GARANTIE GILT NICHT FÜR PRODUKTE, DIE DURCH FALSCHER ANWENDUNG, VERÄNDERUNGEN, UNFÄLLE, UNSACHGEMÄSSE HANDHABUNG ODER EINGRIFFE BESCHÄDIGT WURDEN ODER AN DENEN REPARATUREN ODER REPARATURVERSUCHE VON NICHT-AUTORISIERTEN PERSONEN Vorgenommen wurden. ZU MÖGLICHEN SCHÄDEN, DIE NICHT VON DER GARANTIE ABGEDECKT SIND, GEHÖREN UNTER ANDEREM (ABER NICHT AUSSCHLIESSLICH) DER EINSATZ VON NACHGEMACHTEN LED-LEUCHTEN UND VERÄNDERUNGEN AN DEN SCHALTKREISEN, DIE VERMUTLICH SCHÄDEN AUFGRUND VON FALSCHER ANWENDUNG ODER MISSBRAUCH SIND.

**DE****HAFTUNGSAUSSCHLUSS FÜR FOLGE- UND ZUFALLSCHÄDEN:**

Sie und alle anderen Nutzer der Produkte von Maxspect Ltd. haben kein Recht auf Entschädigung bei Folge – und Zufallsschäden, einschließlich und ohne Einschränkung bei Verlust des Geräts, Unannehmlichkeiten, Schäden am Privateigentum, Telefonanrufe, entgangenes Einkommen und entgangene Umsätze. Diese Garantie gesteht Ihnen bestimmte Rechte zu und Sie können zudem weitere Rechte haben, die von Land zu Land unterschiedlich sein können.

**MAXSPECT LTD. GIBT KEINE GARANTIE UND ÜBERNIMMT KEINE VERANTWORTUNG FÜR DAS PRODUKT, WEDER AUSDRÜCKLICH NOCH IMPLIZIT, IN BEZUG AUF DIE QUALITÄT, LEISTUNG, MARKTGÄNGIGKEIT ODER EIGNUNG FÜR EINEN BESTIMMTEN ZWECK. DAHER WIRD DAS PRODUKT IN DER VORLIEGENDEN FORM („AS IS“) VERKAUFT UND SIE ALS KÄUFER TRAGEN DAS GESAMTE RISIKO IN BEZUG AUF QUALITÄT UND LEISTUNG.**

**MAXSPECT LTD IST IN KEINEM FALL HAFTBAR FÜR DIREKTE, INDIREKTE, ZUFÄLLIGE SCHÄDEN BZW. FOLGESCHÄDEN, DIE AUS EINEM FEHLER DES PRODUKTS ODER SEINER BEDIENUNGSANLEITUNG ENTSTEHEN KÖNNTEN.**

Die oben dargelegte Garantie, Haftungsausschlüsse und Rechtsbehelfe sind exklusiv und ersetzen alle anderen mündlichen oder schriftlichen, ausdrücklichen oder impliziten Absprachen. Zu keinem Zeitpunkt sind die Maxspect Ltd. Händler, Agenten oder Mitarbeiter berechtigt, irgendwelche Änderungen, Erweiterungen oder Zusätze an dieser Garantie vorzunehmen.

Einige Länder erlauben den Ausschluss oder die Beschränkung von implizierten Garantien oder Haftungen für Zufalls- oder Folgeschäden nicht, so dass die oben genannten Beschränkungen oder Ausschlüsse eventuell nicht auf Sie zutreffen.

**Hinweis:** Die neuesten Spezifikationen für Aeraqua Duo Protein Skimmer finden Sie unter:  
[www.maxspect.com](http://www.maxspect.com)



DE

## Mémo utilisateur

### ***Cher Client,***

Merci d'avoir acheté ce produit.

Pour des performances et une sécurité optimales, veuillez lire attentivement ces instructions.

### **Mémo utilisateur:**

Date d'achat :

---

Nom du revendeur :

---

Adresse du revendeur :

---

---

Site internet du revendeur :

---

E-mail du revendeur :

---

N° de téléphone du revendeur :

---

**FR**

### **Vous pouvez nous rejoindre sur facebook ou twitter !**



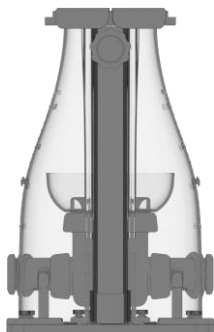
<https://www.facebook.com/Maxspect>



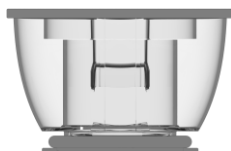
<http://twitter.com/maxspectled>

## Contenu de l'emballage

Merci de vérifier le contenu de votre emballage.



x1



x1



x1

FR



x1



x1



x1



x4



Pièces de rechange

x2

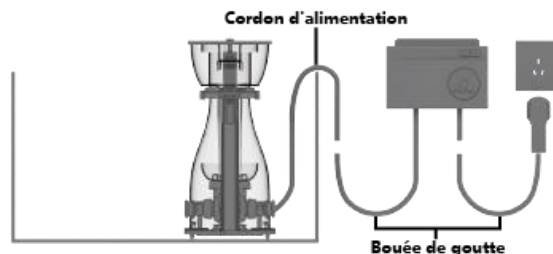


## Précautions d'utilisation

Avant toute utilisation du **Maxspect™ Aeraqua Duo Protein Skimmer** veuillez lire attentivement ce manuel d'utilisation. Soyez particulièrement attentifs aux consignes de sécurité qui suivent. Gardez soigneusement ce manuel pour toute future utilisation.

### LIRE ET SUIVRE TOUTES LES INSTRUCTIONS DE SÉCURITÉ

1. **DANGER** - Pour éviter tout risque d'électrocution, il faut prendre soin particulier car l'eau est utilisée dans l'utilisation d'un équipement d'aquarium. Pour chacune des situations suivantes, n'essayez pas de réparer vous-même; Renvoyer l'appareil à un service de service autorisé pour le service ou jeter l'appareil.
  - a) Si l'appareil présente un signe de fuite d'eau anormale, débranchez-le immédiatement de la source d'alimentation.
  - b) Examiner soigneusement l'appareil après l'installation. Il ne devrait pas être branché s'il y a de l'eau sur des pièces qui ne sont pas destinées à être humides.
  - c) Ne faites pas fonctionner d'appareil s'il contient un cordon ou une fiche endommagée, ou s'il a un dysfonctionnement ou a été endommagé de quelque manière que ce soit.
  - d) Pour éviter que la prise ou le réceptacle de l'appareil ne se mouille, placez le support d'aquarium et le réservoir d'un côté d'un réceptacle mural pour empêcher l'eau de couler sur le réceptacle ou la fiche. Une "bouée de goutte" illustrée sur la figure devrait être agencée par l'utilisateur pour chaque cordon reliant un appareil d'aquarium à un réceptacle. La «boucle d'égouttement» est la partie du cordon au-dessous du niveau de la prise, ou le connecteur si une rallonge est utilisée, pour éviter que l'eau ne se déplace le long du cordon et n'entre en contact avec la prise. Si la fiche ou la prise est humide, NE PAS débrancher le cordon. Débranchez le fusible ou le disjoncteur qui alimentent l'appareil. Ensuite, débranchez et examinez la présence d'eau dans le récipient.

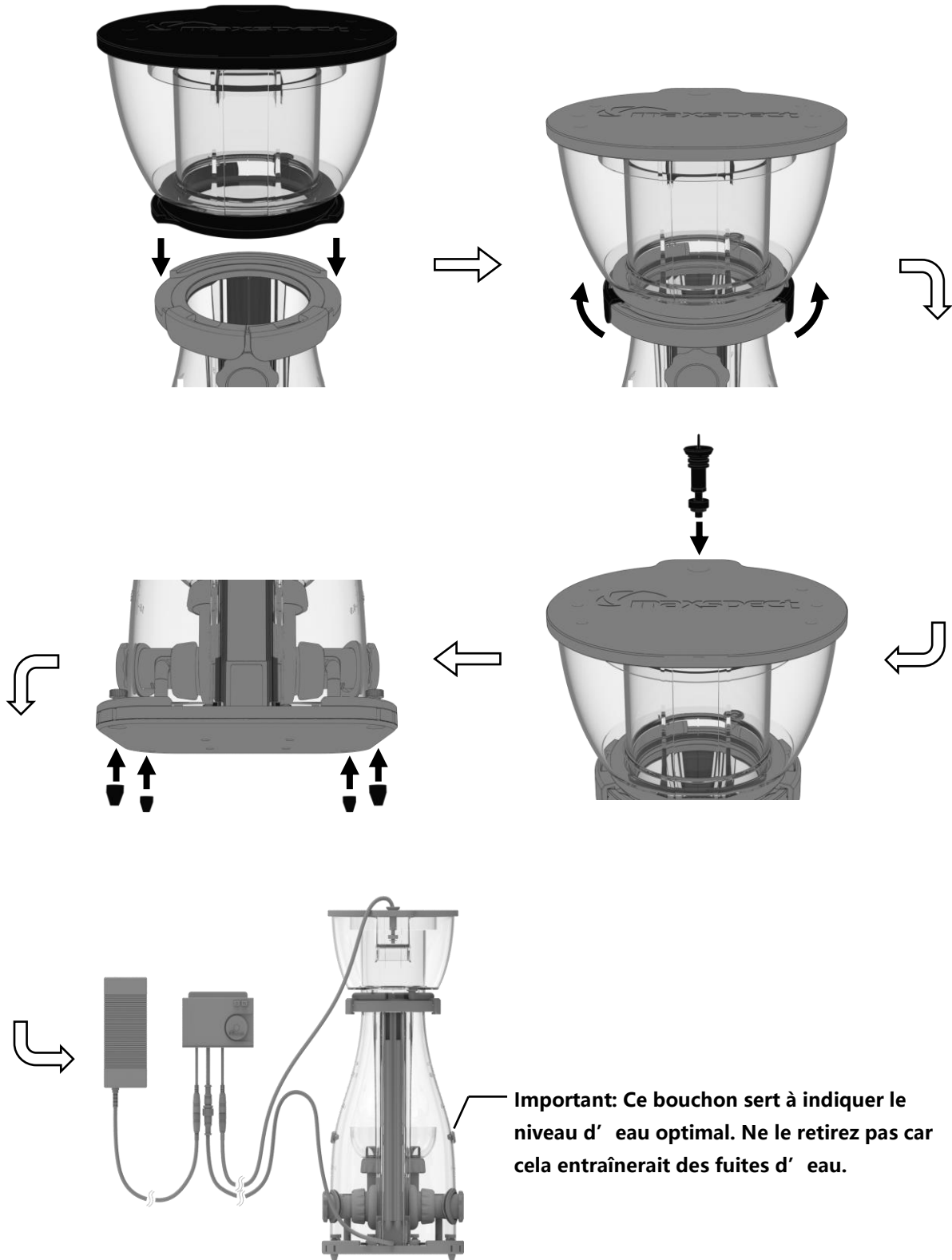


2. Une surveillance étroite est nécessaire lorsque tout appareil est utilisé par ou près des enfants.
3. Pour éviter les blessures, ne pas contacter les pièces mobiles ou les parties chaudes telles que les radiateurs, les réflecteurs, les ampoules et autres.
4. Toujours débrancher un appareil d'une prise lorsqu'il n'est pas utilisé, avant de mettre ou de retirer des pièces et avant de le nettoyer. Ne tirez jamais le cordon pour retirer la fiche de la prise. Saisissez la fiche et tirez pour la débrancher.
5. N'utilisez pas d'appareil pour une utilisation autre que prévue. L'utilisation de pièces jointes non recommandées ou vendues par le fabricant de l'appareil peut causer un état dangereux.
6. N'installez pas ou ne rangez pas les appareils où il sera exposé aux intempéries ou à des températures inférieures à la température de congélation.
7. Assurez-vous qu'un appareil monté sur un réservoir est bien installé avant de l'utiliser.
8. Lire et observer tous les avis importants sur l'appareil.
9. Si un cordon de rallonge est nécessaire, un cordon avec une bonne évaluation devrait être utilisé. Un cordon évalué pour moins d'ampères ou de watts que l'indice de l'appareil peut surchauffer.

## Installation

Retirez tous les matériaux d'emballage avant de procéder à l'assemblage.

FR

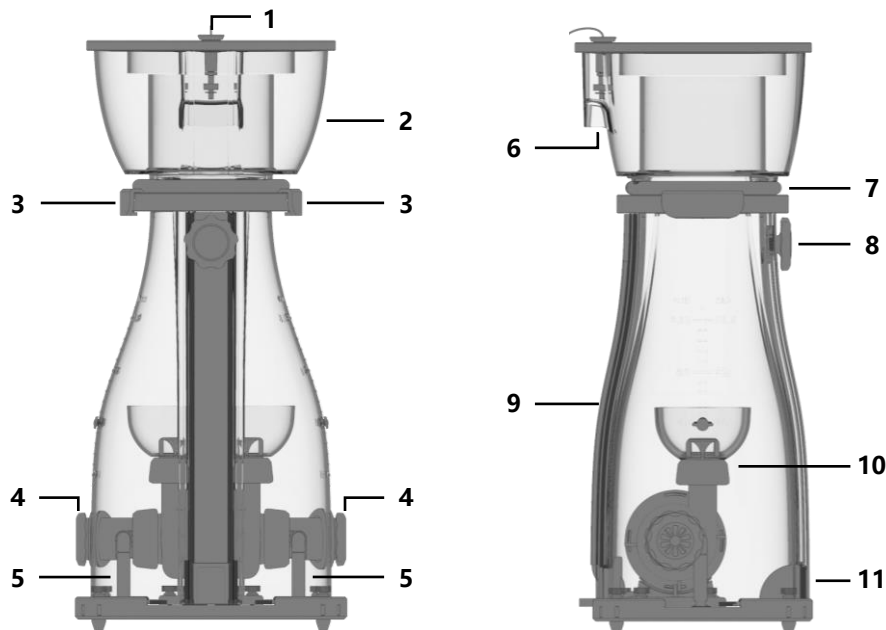


## Aperçu

L'écumeur de protéines Maxspect™ Aeraqua Duo est différent de la plupart des produits similaires vendus dans le commerce. Il s'agit d'un tout nouveau design d'écumeur présentant plusieurs avantages.

- **Deux entrées d'eau :** Aeraqua Duo est doté de deux entrées d'eau (4) qui permettent à l'écumeur d'aspirer de l'eau de deux côtés. Lorsque l'une des entrées est complètement fermée, l'écumeur aspire également l'eau de l'intérieur, ce qui améliore la filtration de l'eau pour l'aquarium.
- **Doubles roues à aiguilles :** Chaque entrée d'eau comporte deux roues à aiguilles, l'une tourne tandis que l'autre est statique. Cette conception unique rend les bulles générées encore plus petites et de densité plus élevée comparé à la plupart des écumeurs traditionnels qui utilisent la technologie de roue à aiguilles.
- **Tout est intégré :** Aeraqua Duo est un écumeur dans lequel tout est intégré dans le corps, le régulateur de niveau d'eau (8) ainsi que le tuyau d'air (9). Cela permet d'économiser de la place dans la cuve technique et facilite la maintenance.
- **Capteur de débordement :** Aeraqua Duo est doté d'un capteur de débordement (1) capable de détecter le niveau d'eau dans le godet d'écumage et d'envoyer un signal d'avertissement lorsque cela est nécessaire.

FR



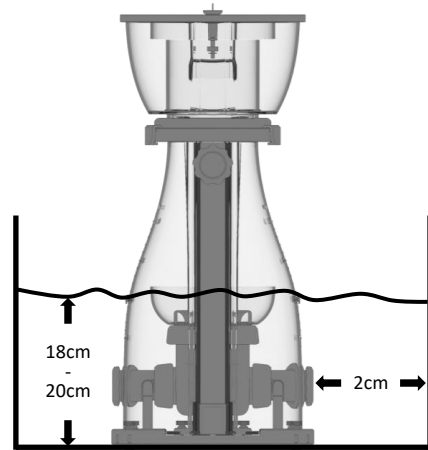
- |                           |                             |                           |
|---------------------------|-----------------------------|---------------------------|
| 1. Capteur de débordement | 5. Tuyau d'apport d'air     | 9. Tuyau d'apport d'air   |
| 2. Godet d'écumage        | 6. Poignée du godet         | 10. Double sortie à bulle |
| 3. Ouverture rapide       | 7. Tuyau de vidange         | 11. Sortie d'eau          |
| 4. Double entrée d'eau    | 8. Ajusteur du niveau d'eau |                           |

## Installation et mise en service

### Installation

Pour installer l'écumeur Aeraqua Duo dans un endroit approprié, certaines règles doivent être suivies :

- Avant de placer l'écumeur dans la cuve technique, il est recommandé de le nettoyer à l'eau douce.
- Placez l'écumeur dans une zone de la cuve technique où le niveau d'eau est constant. Un système de remplissage automatique peut être nécessaire pour maintenir le niveau d'eau.
- Placez l'écumeur dans un endroit exempt de débris, de gravier, de sable, de coquillages et d'autres petits objets.
- Le niveau d'eau optimal de l'écumeur se situe entre 18 et 20 cm.
- De chaque côté aux entrées d'eau il faut au moins 2 cm d'espace.
- Il est également nécessaire d'avoir au moins 2 cm d'espace à la sortie d'eau.
- Pour une utilisation en intérieur uniquement.



FR

### Mise en service (Rodage)

Après avoir placé l'écumeur à l'endroit approprié, il est prêt à être mis en service. Cependant, avant que l'écumeur ne puisse fonctionner de manière optimale, il faut une période de rodage qui peut durer de quelques minutes à plusieurs jours. Cela dépend de nombreux facteurs tels que les résidus d'adhésif, les graisses ou autres impuretés laissées dans l'écumeur, les produits de supplémentation, la tension superficielle de l'eau et le nourrissage etc.

- **Contrôleur** : Vous pouvez régler le débit de la pompe en définissant les paramètres via le contrôleur.
- **Entrées d'eau** : les deux entrées d'eau peuvent tourner. Pour chacun d'eux, vous pouvez :
  1. Ajuster le volume d'eau aspiré de l'extérieur de l'écumeur.
  2. Ajuster le volume d'eau aspiré de l'intérieur et de l'extérieur de l'écumeur.
  3. Ajuster le volume d'eau aspiré de l'intérieur de l'écumeur uniquement.
- **Sortie d'eau** : Vous pouvez régler le volume d'eau sortant de l'écumeur en tournant le bouton de réglage de niveau d'eau (8).

La réponse à un changement de réglage est retardée. Pour plus de détails sur le fonctionnement, reportez-vous à la section "Fonctionnement".

# Instructions d'utilisation

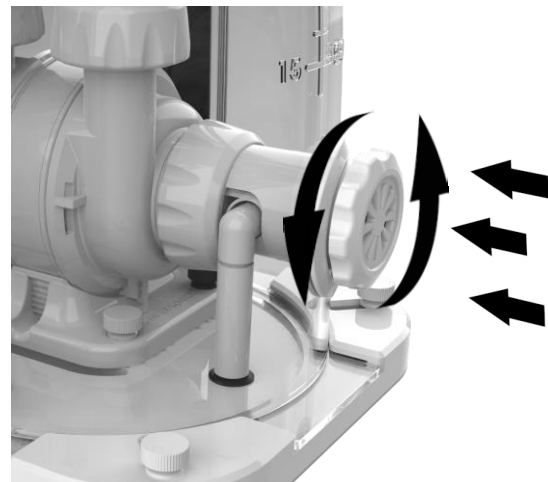
L'écumeur Aeraqua Duo permet trois façons différentes d'ajuster les performances d'écumage.

## 1. Entrée d'eau

La conception unique de l'Aeraqua Duo vous permet de choisir la façon dont l'eau doit être aspirée dans l'écumeur en tournant les entrées d'eau.

Par exemple, s'il y a une certaine quantité de poissons et de coraux.

- 1) Pour un aquarium de 400-750L/100-200gal avec une population importante d'animaux, nous vous recommandons, pour pomper l'eau de l'extérieur, d'ouvrir une entrée d'eau de l'écumeur de 80% et de fermer complètement l'autre entrée afin de faire recirculer l'eau dans l'écumeur.
- 2) Pour un aquarium de 750-1 250L/200-325gal, avec une population moyenne d'animaux, nous vous recommandons, pour pomper l'eau de l'extérieur, d'ouvrir complètement une entrée d'eau de l'écumeur et d'ouvrir de 30% à 50% l'autre entrée afin de pomper et faire recirculer l'eau dans l'écumeur en même temps.
- 3) Pour un aquarium de 1250 à 1 700 L/325-450gal avec une population faible, nous vous recommandons, pour pomper l'eau de l'extérieur, d'ouvrir complètement les deux entrées d'eau de l'écumeur.

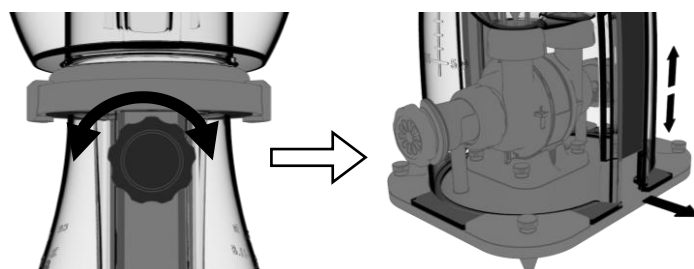


Cependant, les suggestions mentionnées ci-dessus ne sont que des directives générales aidant à expliquer l'utilisation des deux entrées d'eau. Ce qui convient le mieux à votre aquarium ne sera vérifié qu'après avoir soigneusement observé et réglé l'écumeur.

**IMPORTANT : NE FERMEZ PAS COMPLETEMENT LES DEUX ENTRES D'EAU EN MEME TEMPS.**

## 2. Sortie d'eau

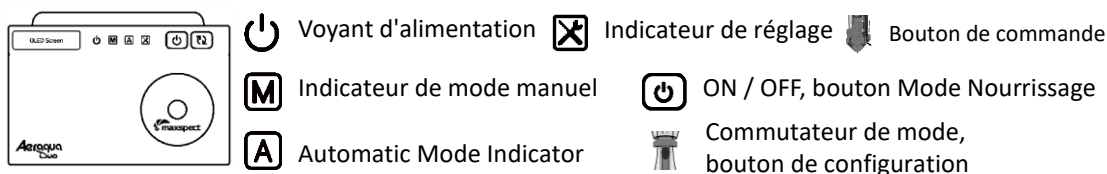
Vous pouvez régler le niveau d'eau en tournant le bouton de réglage du niveau d'eau.



FR

## 3. Contrôle

### Introduction de l'unité de contrôle



### Allumer / éteindre l'écumeur



Appuyer et maintenir la touche ON / OFF plus de 3s pour allumer ou éteindre la pompe. Quand éteint est activé, la pompe cesse de fonctionner, les indicateurs et l'écran OLED du contrôleur s'éteignent aussi. Toutefois, si la pompe est connectée à un ICV6 (vendu séparément) celle-ci pourra toujours être contrôlée via l'application Syna-G.





FR

### Initialiser l'écumeur

Avant de faire fonctionner votre écumeuse, certains réglages de base doivent être définis.



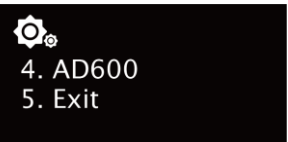
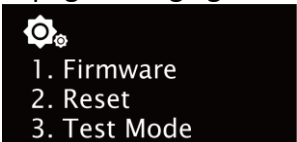
-  Régler l'horloge du système.
-  Réglez le délai d'attente avant que l'appareil entre en fonction.



1.  Entrer dans le mode réglage.
2.  Basculer entre les paramètres.
3.  Définir les paramètres.
4.  Sauvegarder les réglages.

**Remarque :** le délai d'attente vous permet de définir une durée de temps avant que l'appareil ne se mette en marche. Lors de la connection de l'appareil à l'alimentation, celui-ci ne se mettra en marche que lorsque le délai d'attente sera passé. Ceci est particulièrement utile lorsque l'appareil est remis sous tension après une panne de courant afin d'éviter le débordement du godet collecteur. Réglages disponibles : OFF, 10s (par défaut), 30s, 60s, 120s, 180s, 300s.

### Configuration de maintenance

Pour accéder à la page de réglage du système, déconnectez d'abord le bloc d'alimentation de la ligne A du contrôleur, appuyez ensuite sur la molette de commande et maintenez-la enfoncée tout en reconnectant le bloc d'alimentation. Maintenez-la enfoncée jusqu'à ce que la page de réglage du système s'affiche sur l'écran OLED.



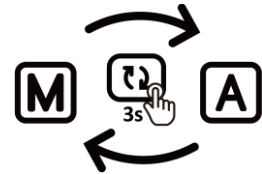
1.  Basculer entre les fonctions.
2.  Appliquez la fonction.

1. Mettre à niveau ou retour en arrière du micrologiciel du système.
2. Réinitialise les paramètres utilisateur aux paramètres d'usine par défaut.
3. Cette fonction ne doit être utilisée que lorsqu'un revendeur agréé le demande pour effectuer certains tests sur la rampe.
4. Sélection du modèle.
5. Redémarre le système en mode de fonctionnement normal.

# Instructions d'utilisation

## Basculer entre les modes

**Mode automatique :** dans ce mode, 8 points temps peuvent être programmés pour définir différentes vitesses pour la pompe. Ces points temps se répèteront toutes les 24 heures.






**Mode manuel:** Réglez manuellement la vitesse de travail de la pompe.

## Mode manuel



5 Vitesse de travail actuelle

Indication de la puissance

1.  Entrer dans le mode réglage.
2.  Définir les paramètres.
3.  Sauvegarder les réglages.





Remarque : le fait de ne pas toucher au contrôleur pendant 30 secondes sauvegardera automatiquement les réglages.

## Mode Auto



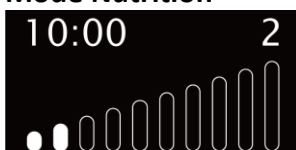
1 Durée actuelle. 09:00 Horloge système.






8 Current working speed. Indication de la puissance.

1.  Entrer dans le mode réglage.
2.  Basculer entre les paramètres.
3.  Définir les paramètres.
4.  Sauvegarder les réglages.

Remarque : le fait de ne pas toucher au contrôleur pendant 30 secondes sauvegardera automatiquement les réglages.

## Mode Nutrition



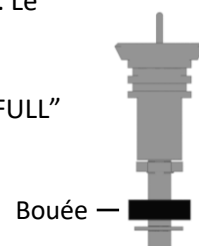
1.  Entrer / Sortir du Mode Nutrition.
2.  Entrer dans le mode réglage.
3.  Basculer entre les paramètres.
4.  Set parameter.
5.  Sauvegarder les réglages.

## Détection de débordement



**Avertissement de débordement :** la pompe s'éteint immédiatement lorsque la bouée du capteur flotte sur l'eau. L'afficheur indique "FULL" (plein) et le voyant du logo clignote sur le contrôleur. Le capteur détecte en intervalle de 10 secondes.

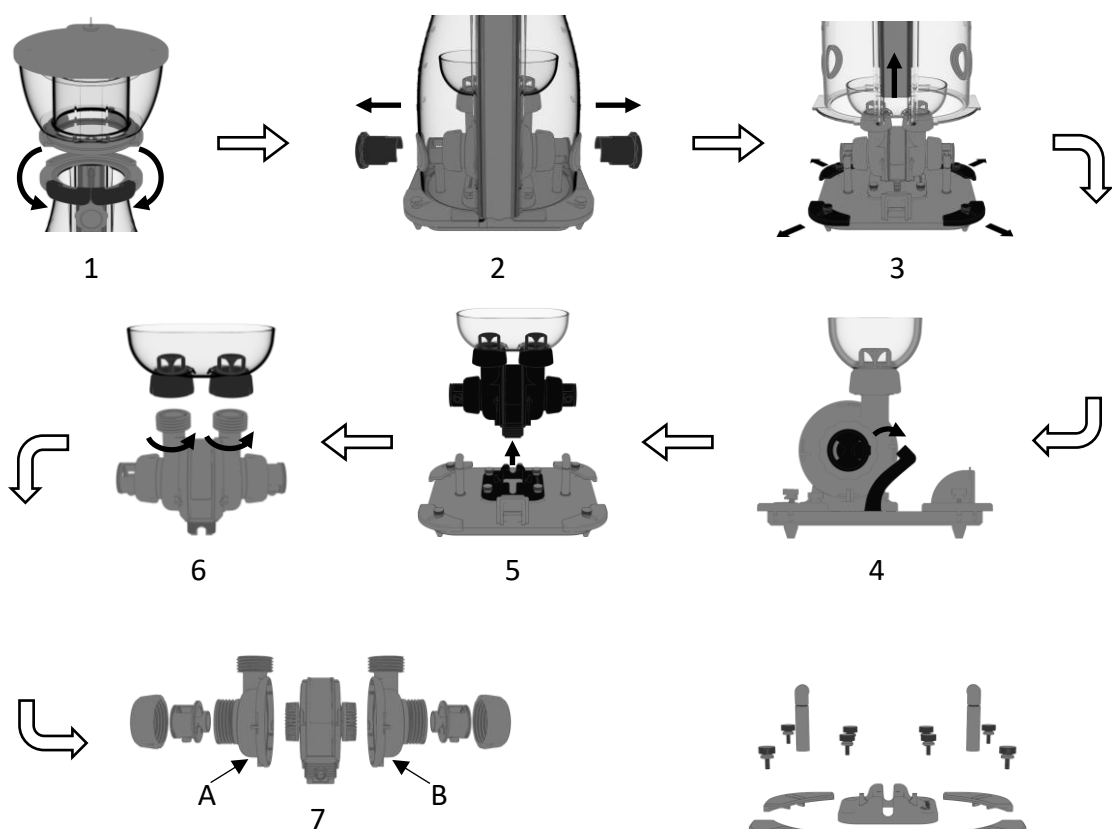
**Retour au fonctionnement :** si la bouée revient à sa position normale, la pompe revient à son état de fonctionnement précédent. "FULL" disparaît et le voyant du logo est allumé en permanence.



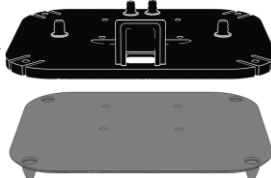
## Entretien de l'appareil

L'écumeur Aeraqua Duo Maxspect™ peut être entièrement démontés à des fins de maintenance, de nettoyage et d'entretien. Cela se fait dans l'ordre des étapes décrites ci-dessous. En raison des conditions spéciales dans un aquarium d'eau salée et de l'accumulation d'algues et d'autres matières organiques, il est conseillé de nettoyer la pompe pour assurer la longévité de l'appareil. Maxspect recommande de faire un nettoyage tous les 6 mois ou dès que nécessaire. S'il y a accumulation de calcium ou calcaire, il peut être nécessaire de faire tremper ces pièces dans une solution d'acide doux comme du vinaigre.. NE PAS utiliser d'acides forts, car ils pourraient endommager les composants. Après le nettoyage, veillez à bien rincer puis remonter l'appareil.

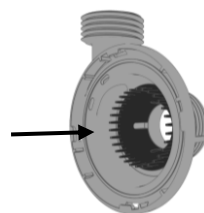
FR



1. La base intégrée au silencieux d'admission d'air doit également être nettoyée lors du nettoyage du skimmer.



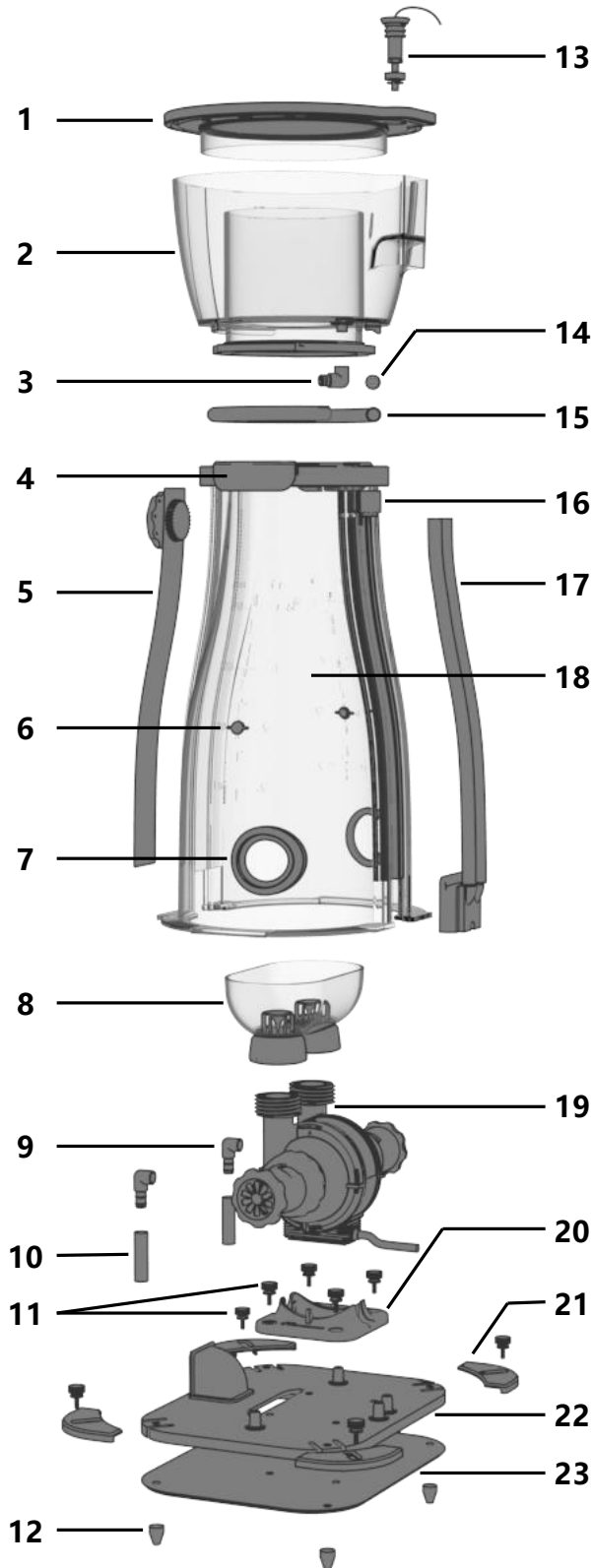
2. NE PAS démonter la roue à aiguilles statique. (Réf. Étape 7)  
 3. La pièce pourvue de la roue à aiguilles statique doit être installée du bon côté lors du remontage de la pompe. (Réf. Étape 7)





# Pièces de rechange

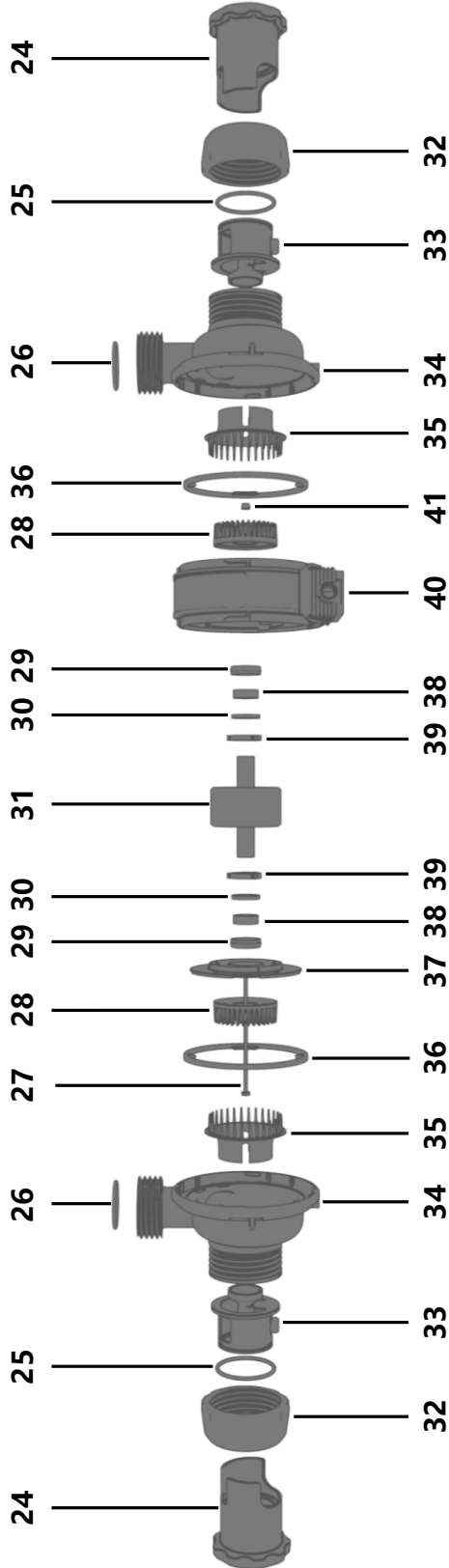
## Écumoire



No.	Nom	QTY
1	Couvercle du godet	1
2	Godet d'écumage	1
3/9	Connecteur de tuyau	3
4	Ouverture rapide	2
5	Ajusteur du niveau d'eau	1
6	Bouchon pour niveau d'eau optimal	2
7	Joint d'étanchéité d'entrée d'eau	2
8	Coupelle à bulles	1
10	Tuyau d'apport d'air	2
11	Vis de fixation de la pompe à la base	8
12	Pied silicone anti-vibration	4
13	Capteur de débordement	1
14	Bouchon du tuyau de vidange	1
15	Tuyau de vidange	1
16	Connecteur d'admission d'air	1
17	Tuyau d'apport d'air	1
18	Corps de l'écumeur	1
19	Corps de pompe	1
20	Base de la pompe	1
21	Verrouillage pour corps	4
22	Base de l'écumeur	1
23	Plaque arrière	1

FR

## Pompe



No.	Nom	QTY	No.	Nom	QTY	No.	Nom	QTY
24	Ajusteur d'entrée d'eau	2	30	Roulement en céramique	2	36	Joint en silicone	2
25	Joint en silicone	2	31	Rotor	1	37	Couvercle du rotor	1
26	Joint en silicone	2	32	Écrou de serrage du mélangeur Air / Eau	2	38	Palier	2
27	Vis en titane	1	33	Mélangeur Air / Eau	2	39	Coussin en silicone	2
28	Roue rotative à aiguilles	2	34	Logement de roue à aiguille	2	40	Stator	1
29	Coussin en silicone	2	35	Roue statique à aiguilles indetectable	2	41	Écrou en titane	1

## Limite de garantie

Maxspect Ltd. garantit tous les produits Maxspect™ contre les défauts de fabrication ou de matériaux pendant une période de 12 mois à compter de la date d'achat. Si un défaut est révélé au cours de la période de garantie, Maxspect Ltd., à sa convenance, réparera (avec des pièces neuves ou de rechanges) ou remplacera (par une unité nouvelle ou réparée) le produit, gratuitement.

LA GARANTIE NE S'APPLIQUE PAS AU PRODUIT S'IL A ÉTÉ ENDOMMAGÉ PAR UNE MAUVAISE UTILISATION SUITE À UNE MAUVAISE MANIPULATION, UNE INSTALLATION INCORRECTE, AU TRANSPORT OU POUR DES TENTATIVES DE RÉPARATION PAR DES PERSONNES NON AUTORISÉES. DES EXEMPLES DE DOMMAGES NON COUVERTS PAR LA GARANTIE INCLUENT, MAIS NE SE LIMITENT PAS À L'UTILISATION DE LED DE REMPLACEMENT ET MODIFICATION DES CIRCUITS DONT POURRAIENT RESULTER DES DOMMAGES DUS À UNE MAUVAISE UTILISATION OU UN MAUVAIS TRAITEMENT.

### **EXCLUSION DE DOMMAGES IMMATERIELS OU ACCESSOIRES :**

Maxspect Ltd. ne peut en aucun cas être tenu pour responsable des dommages directs, indirects ou conséquents comprenant mais non limités à : la perte de l'usage de l'unité, désagréments, dégâts matériels à des biens personnels, appels téléphoniques, perte de revenus ou de salaire. Cette garantie vous donne des droits légaux spécifiques ainsi que d'autres droits éventuels, qui peuvent varier d'un pays à l'autre.

**MAXSPECT LTD. N'OFFRE AUCUNE GARANTIE, QU'ELLE SOIT EXPRESSE OU IMPLICITE, QUANT À LA QUALITÉ DES PRODUITS, LES PERFORMANCES, SA COMMERCIALISATION OU L'ADAPTATION À UN USAGE DIFFÉRENT DE CELUI AUQUEL IL EST DESTINÉ. EN CONSÉQUENCE, CES PRODUITS SONT VENDUS «TELS QUELS», ET VOUS, ACHÉTEUR, ASSUMEZ ENTIÈREMENT LES RISQUES QUANT À SA QUALITÉ ET SES PERFORMANCES.**

**EN AUCUN CAS MAXSPECT LTD NE SERA RESPONSABLE DE DOMMAGES DIRECTS, INDIRECTS, PARTICULIERS, ACCESSOIRES OU CONSÉCUTIFS RESULTANTS DE TOUT DÉFAUT DU PRODUIT OU DE SA DOCUMENTATION.**

LA GARANTIE, L'EXCLUSION ET LES MESURES PRÉVUES PRÉCÉDEMMENT SONT EXCLUSIVES, ET REMPLACENT TOUTES LES AUTRES, ORALES OU ÉCRITES, EXPLICITES OU IMPLICITES. En aucun cas, des revendeurs, agents ou employés de Maxspect Ltd. ne seront autorisés à apporter des modifications, extensions ou ajouts à cette garantie.

Certains pays ne permettent pas l'exclusion ou la limitation des garanties implicites ou la responsabilité pour les dommages directs ou indirects, de sorte que la limitation ou l'exclusion de cette garantie peut ne pas vous être appliqué.

FR

## Caractéristiques

**Remarque:** Pour les spécifications les plus récentes des écumeurs de protéines Aeraqua Duo, visitez: [www.maxspect.com](http://www.maxspect.com)



FR

## Notas del Usuario

### ***Estimado Cliente,***

Gracias por adquirir este producto.

Para un rendimiento y seguridad óptimos, lea las instrucciones cuidadosamente.

### **Notas del Usuario:**

Fecha de Compra: \_\_\_\_\_

Nombre Comerciante: \_\_\_\_\_

Su Dirección: \_\_\_\_\_

Su Web : \_\_\_\_\_

Su Mail: \_\_\_\_\_

Su teléfono: \_\_\_\_\_

**ES**

### **Por favor visítenos en facebook o twitter!**



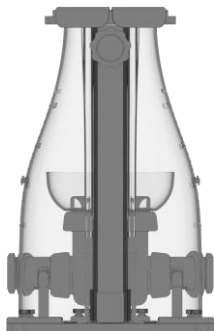
<https://www.facebook.com/Maxspect>



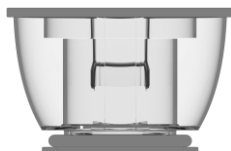
<http://twitter.com/maxspectled>

## Contenido del Paquete

Por favor, compruebe el contenido del paquete.



x1



x1



x1

ES



x1



x1



x1



x4



Piezas de repuesto

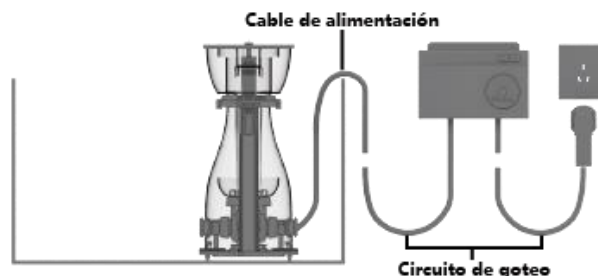
x2

## Precauciones

Antes de utilizar esta bomba de **Maxspect™ Aeraqua Duo Protein Skimmer** lea detenidamente estas instrucciones de funcionamiento. Tenga especial cuidado de seguir las sugerencias de seguridad que se enumeran a continuación. Después, mantenga este manual a mano para futuras referencias.

### LEA Y SIGA TODAS LAS INSTRUCCIONES DE SEGURIDAD

1. **PELIGRO** - para evitar posibles descargas eléctricas, se debe tener especial cuidado ya que el agua se emplea en el uso de equipos para acuarios. Para cada una de las siguientes situaciones, NO intente repararlo usted mismo; devuelva el aparato a un centro de servicio autorizado para su reparación o deséchelo.
  - a) Si el aparato muestra algún signo de fuga anormal de agua, desenchúfelo inmediatamente de la fuente de alimentación.
  - b) Examine cuidadosamente el aparato después de la instalación. No debe enchufarse si hay agua en las partes que no se deben mojar.
  - c) NO opere ningún aparato si tiene un cable o enchufe dañado, o si está funcionando mal o si se ha caído o dañado de alguna manera.
  - d) Para evitar la posibilidad de que el enchufe o el receptáculo del aparato se mojen, coloque el soporte y el tanque del acuario a un lado de un receptáculo montado en la pared para evitar que el agua gotee sobre el receptáculo o el enchufe. El usuario debe organizar un “circuito de goteo” que se muestra en la figura, para cada cable que conecta un aparato de acuario a un receptáculo. El “circuito de goteo” es la parte del cable que se encuentra debajo del nivel del receptáculo, o el conector, si se usa un cable de extensión, para evitar que el agua se desplace a lo largo del cable y entre en contacto con el receptáculo. Si el enchufe o el enchufe se mojan, NO desenchufe el cable. Desconecte el fusible o el disyuntor que suministra energía al aparato. Luego desenchufe y examine la presencia de agua en el recipiente.

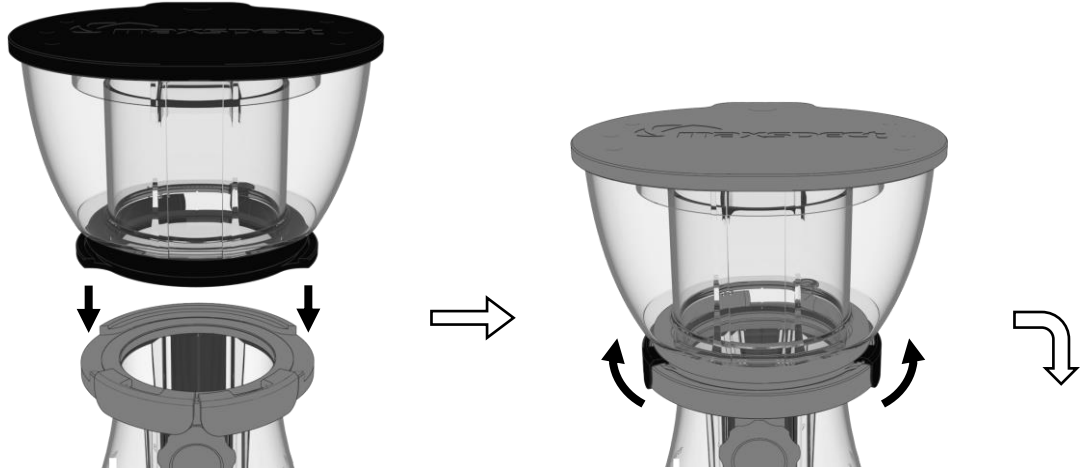


2. Es necesaria una estrecha supervisión cuando se utiliza cualquier aparato por o cerca de niños.
3. Para evitar lesiones, NO entre en contacto con partes móviles o partes calientes como calentadores, reflectores, bombillas de lámparas y similares.
4. Siempre desenchufe un aparato de un tomacorriente cuando no esté en uso, antes de poner o quitar partes y antes de limpiar. Nunca tire del cable para sacar el enchufe del tomacorriente. Sujete el enchufe y tire para desconectar.
5. NO use un aparato para otro uso que no sea el indicado. El uso de accesorios no recomendados o vendidos por el fabricante del aparato puede causar una condición insegura.
6. NO instale ni almacene los aparatos en lugares expuestos a la intemperie o a temperaturas bajo cero.
7. Asegúrese de que un aparato montado en un tanque esté bien instalado antes de operarlo.
8. Lea y observe todos los avisos importantes en el aparato.
9. Si se necesita un cable de extensión, se debe usar un cable con una clasificación adecuada. Un cable clasificado para menos amperios o vatios que la capacidad nominal del aparato puede sobrecalentarse.

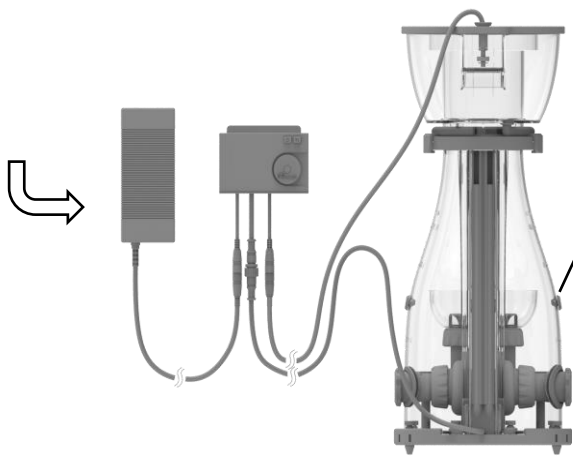
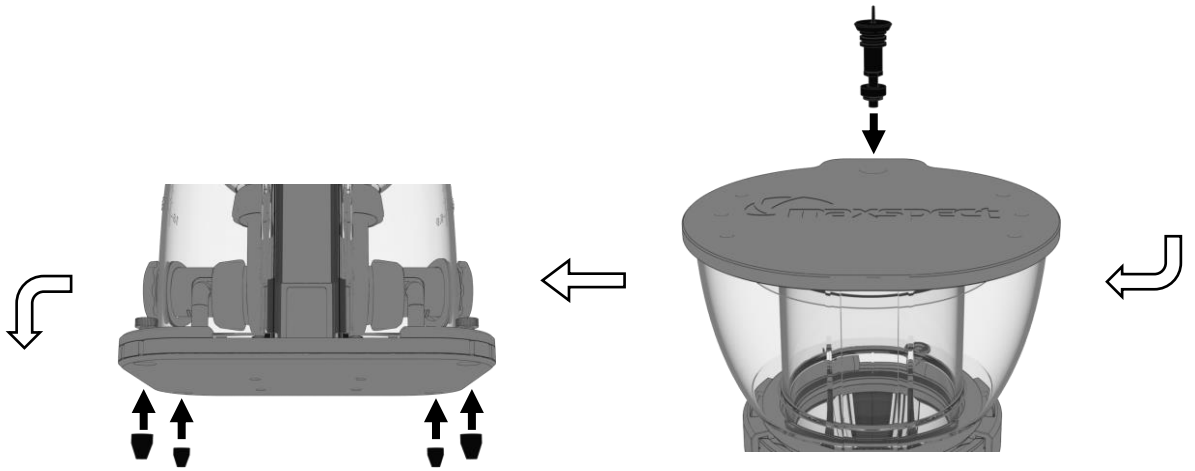
ES

# Instalación

Retire todos los materiales de embalaje antes de ensamblar.



ES



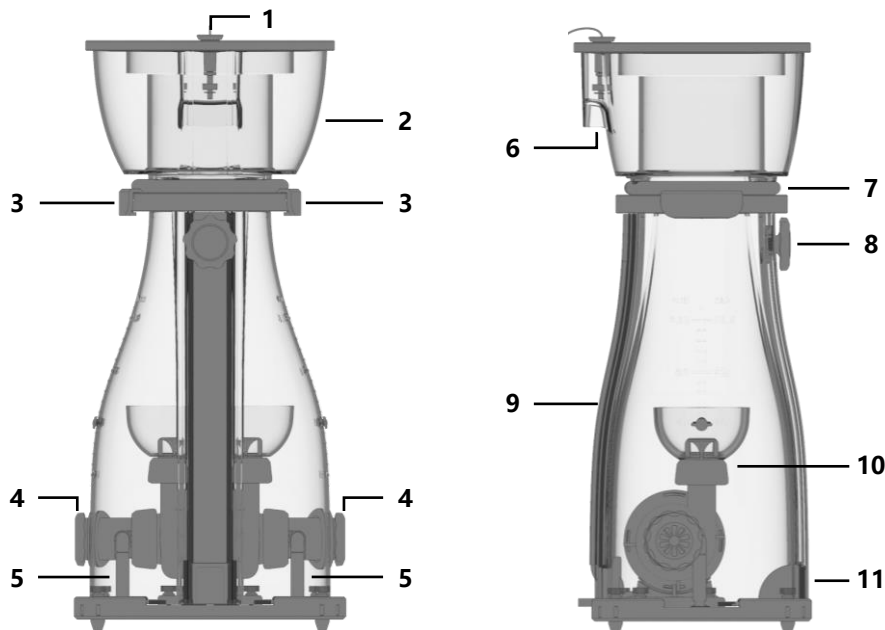
**Importante:** Esta tapa se utiliza para indicar el nivel óptimo de agua. No lo retire ya que esto causará fugas de agua.



## Avance

El skimmer de proteínas Aeraqua Duo de Maxspect™ es diferente de la mayoría de los productos similares vendidos comercialmente. Se trata de un nuevo diseño de skimmer con varios beneficios.

- **Entradas de Agua Duales:** Aeraqua Duo tiene dos entradas de agua (4) que permiten que el skimmer succione agua por los dos lados. Cuando una de las entradas está completamente cerrada, el skimmer también succiona el agua del interior, lo que mejora la filtración del agua del acuario.
- **Ruedas de Agujas Duales:** Cada entrada de agua tiene dos ruedas de agujas, una gira mientras que la otra es estática. Este diseño único hace que las burbujas generadas sean incluso más pequeñas y más densas en comparación con la mayoría de los skimmers tradicionales que utilizan la tecnología de rueda de aguja.
- **Todo está integrado:** Aeraqua Duo es un skimmer en el que todo está integrado en el cuerpo, el regulador de nivel de agua (8) y la manguera de aire (9). Esto ahorra espacio en el sumiedro y facilita el mantenimiento.
- **Sensor de Desbordamiento:** Aeraqua Duo tiene un sensor de desbordamiento (1) que puede detectar el nivel de agua en la copa recolectora y enviar una señal de advertencia cuando sea necesario.



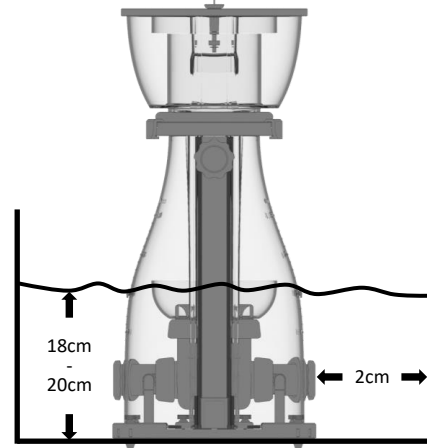
- |                             |                               |                               |
|-----------------------------|-------------------------------|-------------------------------|
| 1. Sensor de desbordamiento | 5. Tubo de suministro de aire | 9. Tubo de suministro de aire |
| 2. Copa Recolectora         | 6. Mango de la copa           | 10. Salida de doble burbuja   |
| 3. Apertura rápida          | 7. Tubo de drenaje            | 11. Salida de agua            |
| 4. Entradas de agua duales  | 8. Ajustador de nivel de agua |                               |

## Colocación y Puesta en marcha

### Colocación

Para instalar el skimmer Aeraqua Duo en un lugar apropiado, se deben seguir ciertas reglas:

- Antes de colocar el skimmer en el sumidero, se recomienda limpiarlo con agua dulce.
- Coloque el skimmer en un área del sumidero donde el nivel de agua sea constante. Puede ser necesario un sistema de llenado automático para mantener el nivel del agua.
- Coloque el skimmer en un lugar libre de escoria, grava, arena, conchas y otros artículos pequeños.
- El nivel óptimo de agua del skimmer está entre 18-20 cm / 7.1 "-7.9".
- A cada lado, en las entradas de agua, requiere al menos 2 cm de espacio.
- También es necesario tener al menos 2 cm de espacio en la salida de agua.
- Sólo para uso en interiores.



ES

### Puesta en marcha (Preparación)

Después de colocar el skimmer en el lugar apropiado, está listo para ser puesto en funcionamiento. Sin embargo, antes de que el skimmer pueda funcionar de manera óptima, se necesita un período de interrupción que puede durar desde unos pocos minutos hasta varios días. Esto depende de muchos factores, como residuos de adhesivo, grasa u otras impurezas que quedan en el skimmer, productos de suplementación, tensión superficial del agua y alimentación, etc.

- **Controlador:** Puede ajustar el flujo de la bomba configurando los parámetros a través del controlador.
- **Entradas de agua:** Las dos entradas de agua pueden girar. Para cada una de ellas, puedes:
  1. Ajustar el volumen de agua extraída del exterior del skimmer.
  2. Ajustar la cantidad de agua extraída del interior y exterior del skimmer.
  3. Ajustar el volumen de agua extraída solo del interior del skimmer.
- **Salida de agua:** Puedes ajustar la cantidad de agua que sale del skimmer girando el regulador de nivel de agua (8).

La respuesta a un cambio de configuración puede tardar. Para más detalles de operación, consulte la sección "Operaciones".

## Instrucciones de manejo

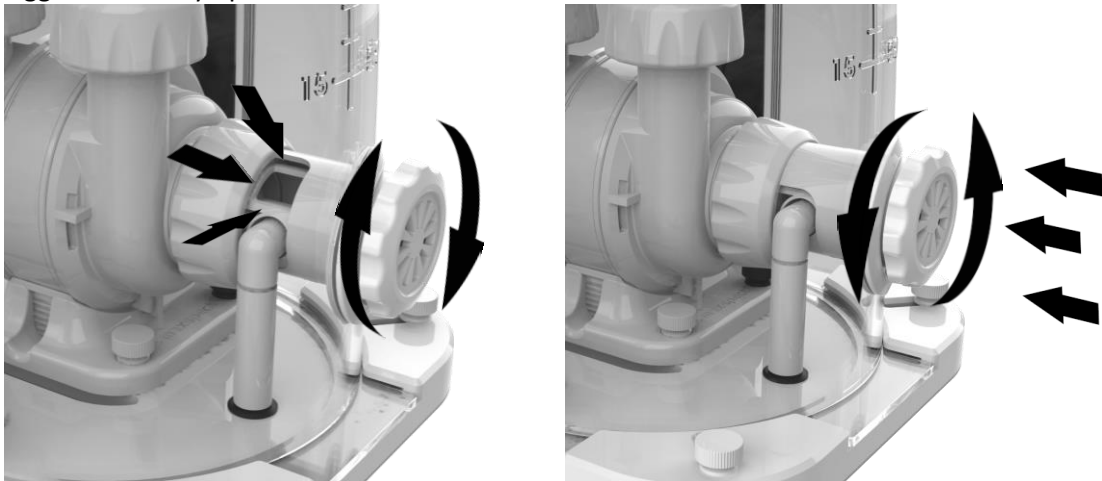
El Aeraqua Duo Skimmer permite tres formas diferentes de ajustar el rendimiento del skimmer.

### 1. Entradas de agua

El diseño exclusivo del Aeraqua Duo le permite elegir cómo debe introducirse el agua en el skimmer girando las entradas de agua.

Por ejemplo, si hay una cierta cantidad de peces y corales.

- 1) Para un acuario de 400-750L / 100-200 gal, si significa una alta carga biológica para el acuario, se sugiere abrir el 80 por ciento de una entrada de agua para extraer agua del exterior del skimmer mientras se cierra completamente la otra para hacerlo Recirculación interna.
- 2) Para un acuario de 750-1,250L / 200-325 gal, si significa una carga biológica media para el acuario, se sugiere abrir completamente una entrada de agua para extraer agua del exterior del skimmer mientras se abre el 30-50 por ciento de la otra para extraer agua tanto de dentro como de fuera del skimmer.
- 3) For a 1,250-1,700L/325-450gal aquarium, if it means low bio-load to the aquarium, it is suggested to fully open both of the water inlets to draw water from outside of the skimmer.

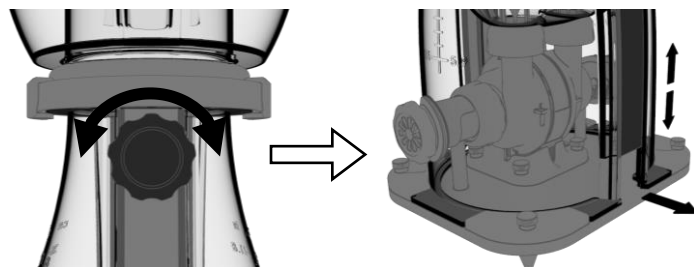


Sin embargo, las sugerencias mencionadas anteriormente son solo pautas generales para ayudar a explicar el uso de ambas tomas de agua. Lo mejor para su acuario solo se comprobará después de observar y ajustar cuidadosamente el skimmer.

**IMPORTANTE: NO CIERRE COMPLETAMENTE LAS DOS ENTRADAS AL MISMO TIEMPO.**

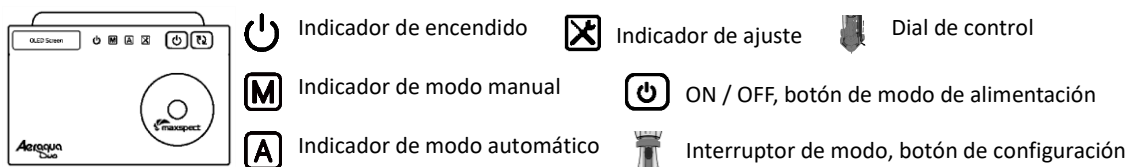
### 2. Salida de agua

Puede ajustar el nivel de agua girando la perilla de ajuste de nivel de agua.



## 3. Controlador

### Introducción de la unidad de control



### Encender/Apagar el skimmer

Presione el botón ON / FF durante 3 segundos para encender o apagar el aparato. Mientras el aparato está apagado, el Gyre dejará de funcionar, los indicadores y la pantalla OLED del controlador se apagarán. Sin embargo, si el dispositivo está conectado a un ICV6 (se vende por separado), la aplicación SYNA-G puede activarla.

### Inicializar el skimmer

Antes de operar su skimmer, deben establecerse algunas configuraciones básicas.



- Ajuste el reloj del sistema.
- Establezca el tiempo de espera antes de que la unidad entre en funcionamiento.

1. Entra en el modo de configuración.
2. Cambiar entre los ajustes.
3. Definir los parámetros.
4. Guardar la configuración.

**Nota:** El tiempo de espera le permite establecer un período de tiempo antes de que la unidad se encienda. Al conectar el dispositivo a la fuente de alimentación, no se encenderá hasta que haya pasado el tiempo de espera. Esto es especialmente útil cuando la unidad se vuelve a encender después de una falla de alimentación para evitar el desbordamiento del depósito de recolección. Configuraciones disponibles: OFF, 10s (predeterminado), 30s, 60s, 120s, 180s, 300s.

### Configuración de mantenimiento

Para acceder a la página de configuración del sistema, primero desconecte la fuente de alimentación de la línea A del controlador, luego presione y mantenga presionado el dial de comandos mientras vuelve a conectar la fuente de alimentación. Mantenga presionado hasta que aparezca la página de configuración del sistema en la pantalla OLED.



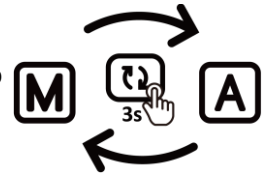
1. Cambiar entre funciones.
2. Aplicar la función.

1. actualice o retroceda el firmware del sistema.
2. restablece la configuración del usuario a la configuración predeterminada de fábrica.
3. Esta función solo debe ser realizada por los usuarios cuando el distribuidor autorizado o el representante del cliente le indiquen que realice ciertas pruebas en el dispositivo.
4. Selección de modelos.
5. reinicia el sistema en el modo de funcionamiento normal.

# Instrucciones de manejo

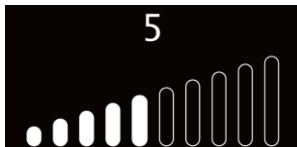
## Cambiar entre modos

**Modo Automático:** En este modo, se pueden programar 8 puntos de tiempo para configurar diferentes velocidades para la bomba. Estos puntos de tiempo se repetirán cada 24 horas.






**Modo manual:** Ajustar manualmente la velocidad de trabajo de la bomba.

## Modo manual



5 Velocidad de trabajo actual  
 Indicador de nivel de flujo





1.  Entra en el modo de configuración.
2.  Definir los parámetros.
3.  Guardar la configuración.

Nota: No tocar el controlador durante 30 segundos guardará automáticamente la configuración.

## Modo Automático








1 Duración actual      09:00 Reloj del sistema  
 8 Velocidad de trabajo actual      Indicador de nivel de flujo

1.  Entra en el modo de configuración.
2.  Cambiar entre los ajustes.
3.  Definir los parámetros.
4.  Guardar la configuración.

Nota: No tocar el controlador durante 30 segundos guardará automáticamente la configuración.

## Modo de alimentación



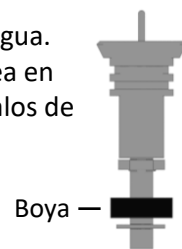
1.  Entrar / Salir del modo de alimentación.
2.  Entra en el modo de configuración.
3.  Cambiar entre los ajustes.
4.  Definir los parámetros.
5.  Guardar la configuración.

## Detección de Desbordamiento



**Advertencia de Desbordamiento:** La bomba se apagará inmediatamente cuando la boya del sensor flote en el agua. La pantalla muestra "FULL" y la luz del logotipo parpadea en el controlador. El sensor comienza a detectar en intervalos de 10 segundos.

**Regreso a la Operación:** Si la boya regresa a su posición normal, la bomba regresa a su estado operativo anterior. "FULL" desaparece y la luz del logotipo quedará encendida permanentemente.

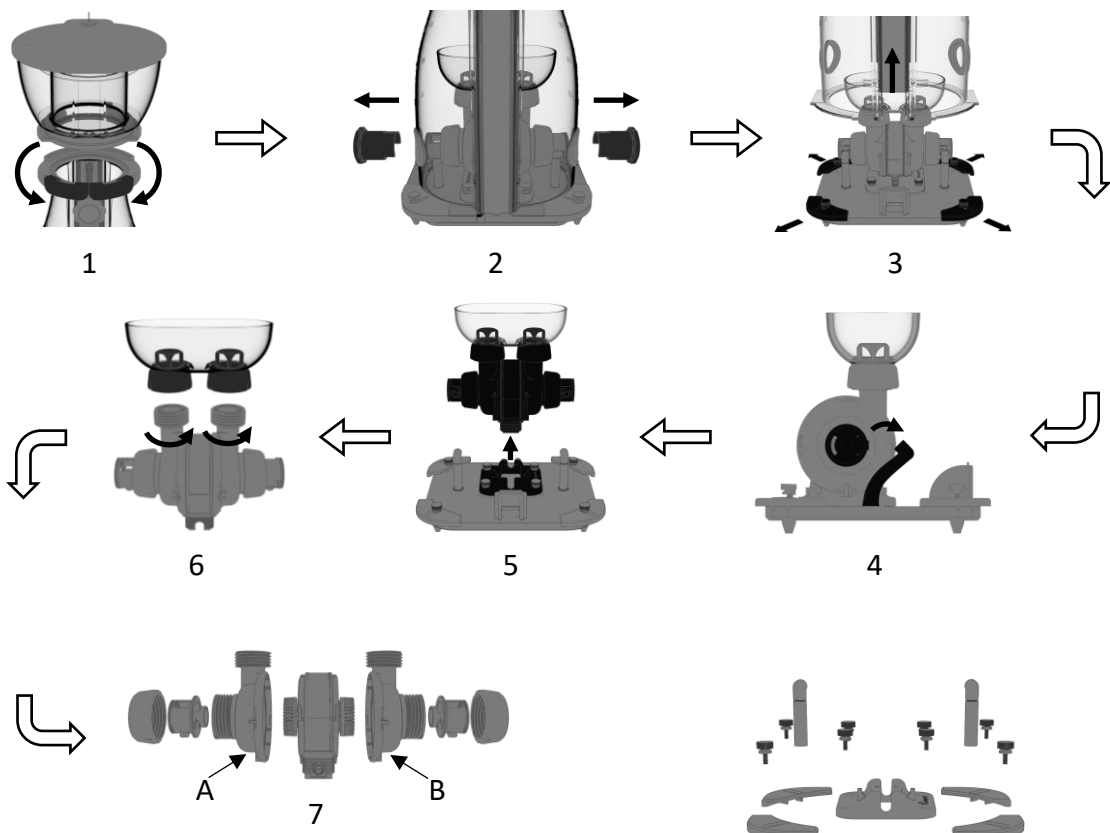


ES

## Mantenimiento del Aparato

El Skimmer Aeraqua Duo de Maxspect™ se puede desmontar completamente para fines de mantenimiento, limpieza y cuidados. Esto debe hacerse en el orden de los pasos descritos a continuación. Debido a las condiciones especiales en un acuario de agua salada y la acumulación de algas y otras materias orgánicas, es recomendable limpiar la bomba para garantizar la longevidad del dispositivo. Maxspect recomienda limpiar cada 6 meses o tan pronto como sea necesario. Si el calcio o la cal se acumulan, puede ser necesario remojar estas partes en una solución ácida suave como el vinagre. NO use ácidos fuertes ya que pueden dañar los componentes. Después de limpiar, asegúrese de enjuagar y volver a montar la unidad.

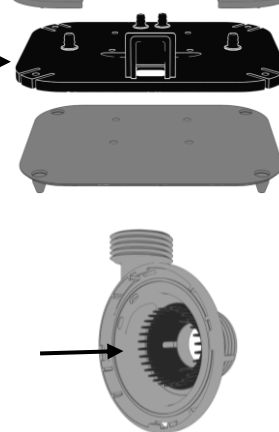
ES



1. La base integrada con el silenciador de admisión de aire también debe limpiarse mientras se limpia el skimmer.

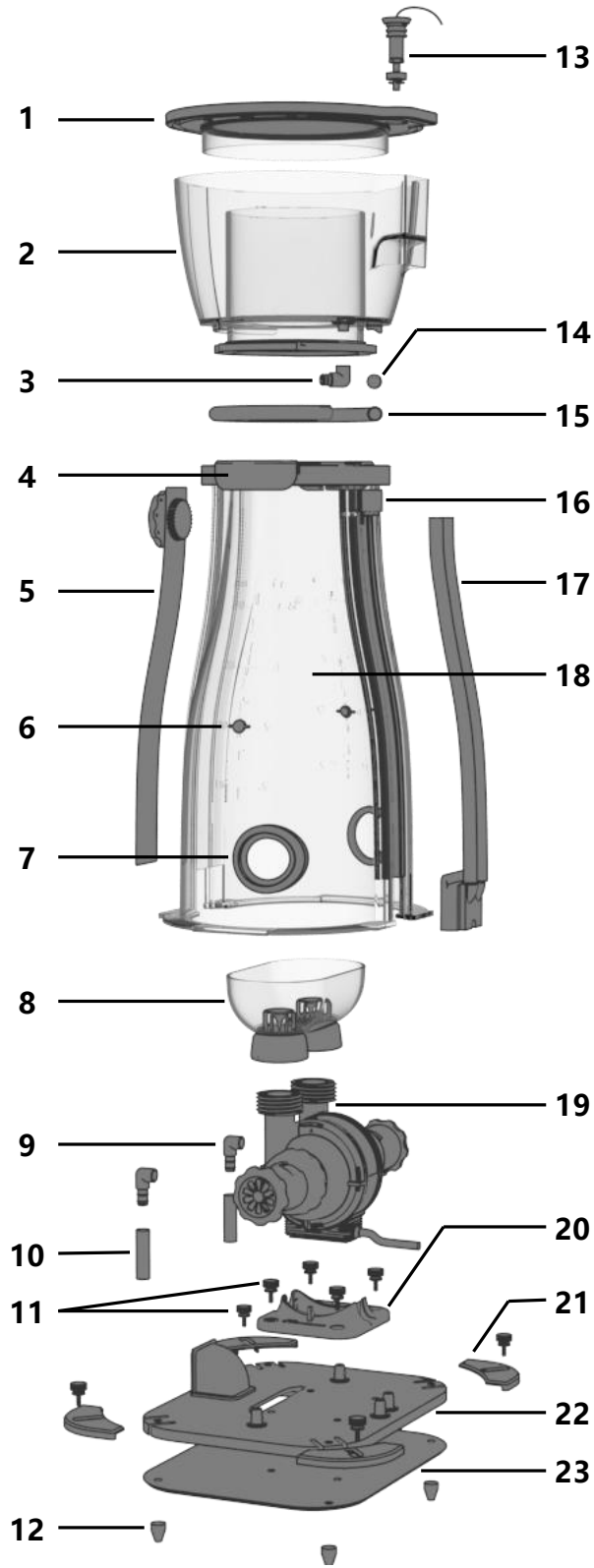
2. NO desmonte la rueda de aguja estática. (Ref. Paso 7)

3. La carcasa integrada con la rueda de aguja estática debe instalarse en el lado correcto cuando vuelva a montar la bomba. (Ref. Paso 7)



# Piezas de repuesto

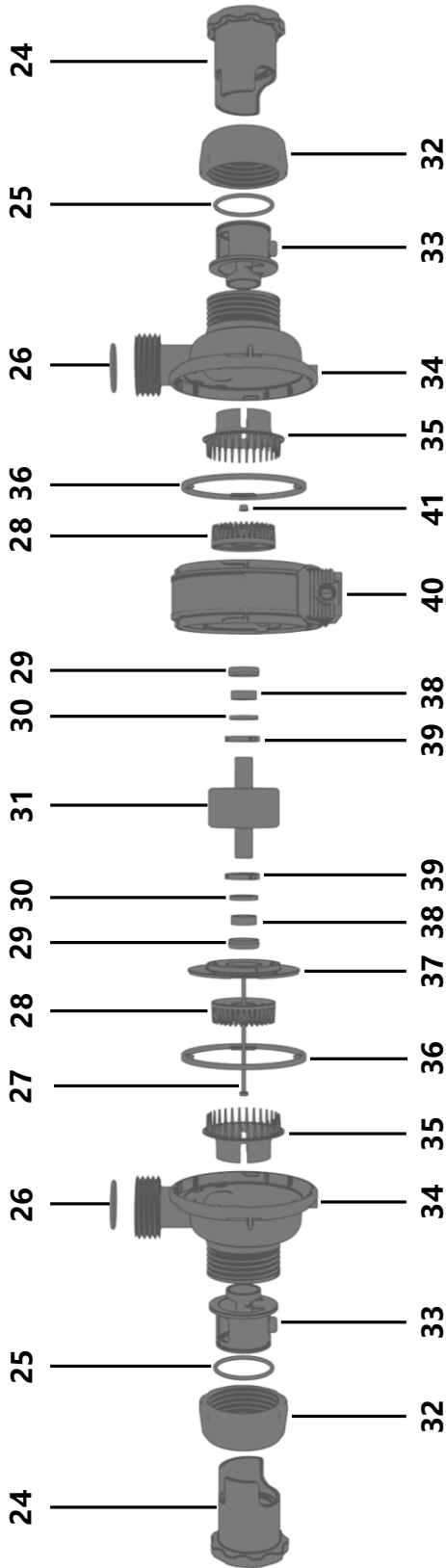
## Skimmer



No.	Nombre	QTY
1	Cubierta de la Copa	1
2	Copa de Recolección	1
3/9	Conector de tubos	3
4	Apertura rapida	2
5	Ajustador de nivel de agua	1
6	Tapón del nivel óptimo de agua	2
7	Sello de entrada de agua	2
8	Copa de burbuja	1
10	Tubo de suministro de aire	2
11	Atornille para fijar la bomba a la base	8
12	Pie de silicona antivibraciones	4
13	Sensor de desbordamiento	1
14	Tapa de la tubo de drenaje	1
15	Tubo de drenaje	1
16	Conector de admisión de aire	1
17	Tubo de suministro de aire	1
18	Cuerpo del skimmer	1
19	Cuerpo de la bomba	1
20	Base de la bomba	1
21	Bloqueo para el cuerpo	4
22	Base del skimmer	1
23	Placa trasera	1

ES

## Bomba



No.	Nombre	QTY	No.	Nombre	QTY	No.	Nombre	QTY
24	Ajustador de entrada de agua	2	30	Rodamiento cerámico	2	36	Sello de silicona	2
25	Sello de silicona	2	31	Rotor	1	37	Tapa del rotor	1
26	Sello de silicona	2	32	Tuerca de sujeción del Mezclador de Aire/Agua	2	38	Cojinete	2
27	Tornillos de titanio	1	33	Mezclador de aire / agua	2	39	Cojín de silicona	2
28	Rueda de aguja giratoria	2	34	Carcasa de la rueda de la aguja	2	40	Estator	1
29	Cojín de silicona	2	35	Rueda de aguja estática (indetectable)	2	41	Tuerca de titanio	1



## Garantía

Maxspect (HongKong) Limited garantiza todos los productos de la bomba de flujo Gyre 300 Series de Maxspect™ Gyre contra defectos en la mano de obra por un período de 12 meses a partir de la fecha de compra. Si existe un defecto durante el período de garantía, Maxspect (HongKong) Limited, a su opción, reparará (utilizando piezas nuevas o remanufacturadas) o reemplazará (con una unidad nueva o remanufacturada) el producto sin costo alguno.

Hay una posibilidad de que la bomba de Gyre puede causar daños a su acuario. Por favor, póngase en contacto con el fabricante de su acuario para determinar si su acuario está construido correctamente y se recomienda para la acción del oleaje. Si observa algún daño en su acuario, incluyendo pero no limitado a las grietas, flexión, arañazos, etc., suspenda inmediatamente el uso de la bomba de Gyre. Maxspect no será responsable por cualquier daño causado a su acuario como resultado del uso de la bomba de Gyre.

### **DISCLAIMER OF CONSEQUENTIAL AND INCIDENTAL DAMAGES:**

LA GARANTÍA NO SE APLICA AL PRODUCTO SI SE HA DAÑADO POR EL MAL USO, ALTERACIÓN, ACCIDENTE, MANIPULACIÓN O FUNCIONAMIENTO INADECUADO, O SI SE HA PROCEDIDO A UNA REPARACIÓN NO AUTORIZADA. USTED Y CUALQUIER OTRO USUARIO DE PRODUCTOS MAXSPECT NO TENDRÁ DERECHO A DAÑOS CONSECUENTES O INCIDENTALES, INCLUYENDO SIN LIMITACIÓN, PÉRDIDA DE USO DE LA UNIDAD, INCONVENIENTES, DAÑOS A LOS BIENES PERSONALES, LLAMADAS TELEFÓNICAS, PÉRDIDA DE INGRESOS O GANANCIAS. ESTA GARANTÍA LE OTORGA DERECHOS LEGALES ESPECÍFICOS Y USTED TAMBIÉN PUEDE TENER OTROS DERECHOS QUE VARÍAN DEPENDIENDO DE CADA PAÍS.

MAXSPECT NO HACE NINGUNA GARANTÍA NI REPRESENTACIÓN, EXPRESA O IMPLÍCITA, CON RESPECTO A LA CALIDAD DEL PRODUCTO, EL RENDIMIENTO, COMERCIALIZACIÓN O IDONEIDAD PARA UN PROPÓSITO PARTICULAR. EN CONSECUENCIA, ESTE PRODUCTO, ES VENDIDO "TAL CUAL", Y USTED EL COMPRADOR ASUME TODO EL RIESGO EN CUANTO A SU CALIDAD Y RENDIMIENTO.

EN NINGÚN CASO MAXSPECT LTD SERÁN RESPONSABLES POR DAÑOS DIRECTOS, INDIRECTOS, ESPECIALES, IMPREVISTOS, O COMO CONSECUENCIA DE CUALQUIER DEFECTO DEL PRODUCTO O SU DOCUMENTACIÓN.

ES

**Nota:** Para obtener las últimas especificaciones de Aeraqua Duo Protein Skimmer, visite: [www.maxspect.com](http://www.maxspect.com)



## User Memo

**Prezado Cliente,**

Obrigado por adquirir este produto.

Para um melhor desempenho e segurança, por favor leia cuidadosamente estas instruções.

### User Memo:

Data da Compra: \_\_\_\_\_

Nome Loja: \_\_\_\_\_

Endereço Loja: \_\_\_\_\_

Website Loja: \_\_\_\_\_

Email Loja: \_\_\_\_\_

Telefone Loja: \_\_\_\_\_

PT

**Por favor, visite-nos no Facebook ou Twitter!**



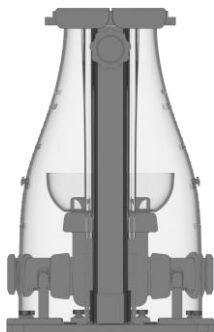
<https://www.facebook.com/Maxspect>



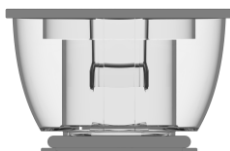
<http://twitter.com/maxspectled>

## Conteúdo da Embalagem

Por favor, analise o conteúdo da embalagem.



x1



x1



x1



x1



x1



x1

**PT**



x4



Partes separadas

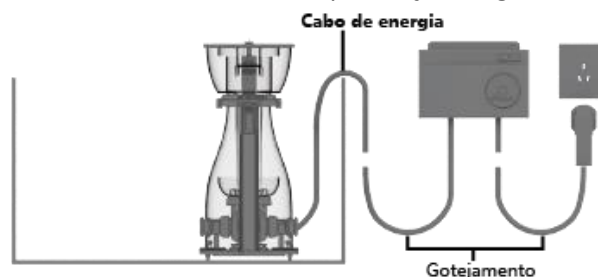
x2

## Precauções

Antes de usar esta bomba de **Maxspect™ Aeraqua Duo Protein Skimmer** leia atentamente estas instruções de operação. Tome especial cuidado para seguir as sugestões de segurança listadas abaixo. Depois, mantenha este manual à mão para referência futura.

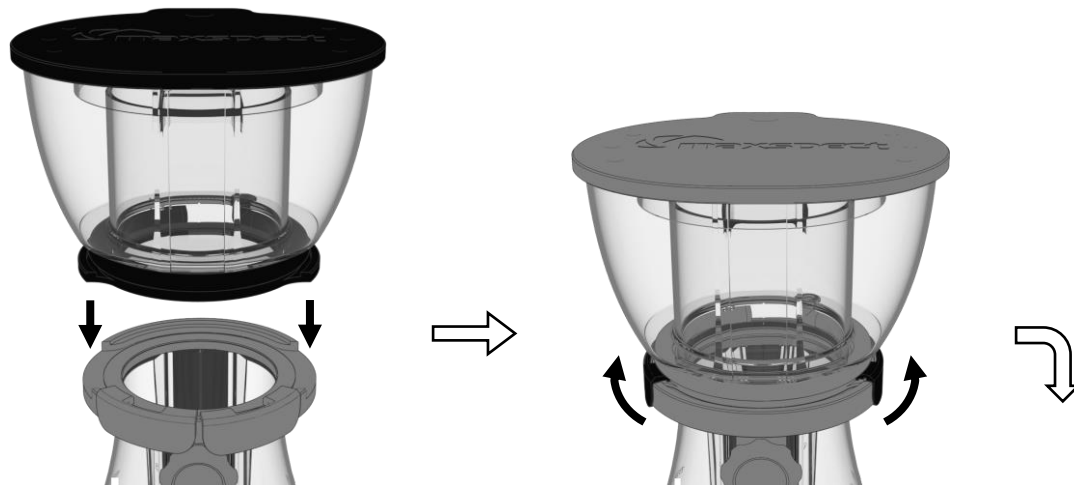
### LEIA E SIGA TODAS AS INSTRUÇÕES DE SEGURANÇA

1. **PERIGO** - Para evitar possíveis choques elétricos, deve-se ter um cuidado especial, uma vez que a água é utilizada no uso de equipamentos de aquário. Para cada uma das seguintes situações, não tente reparar sozinho; Devolva o aparelho a uma assistência técnica autorizada para serviço ou descarte o aparelho.
  - a) Se o aparelho apresentar algum sinal de vazamento de água anormal, desconecte-o imediatamente da fonte de alimentação.
  - b) Examine cuidadosamente o aparelho após a instalação. Não deve ser conectado se houver água em peças que não se destinem a ser molhadas.
  - c) Não utilize nenhum aparelho se o cabo de energia ou plug estiver danificado, com defeito ou tenha sido descartado ou danificado de qualquer maneira.
  - d) Para evitar a possibilidade de água no plug de energia ou tomada, use a tomada ao lado do aquário preferencialmente instalada na parede e com proteção. Adote ao cabo uma posição de "gotejamento", conforme mostrado na figura, deve ser organizado pelo usuário para cada cabo que conecta um aparelho de aquário a uma tomada. O "gotejamento" é aquela parte do cabo abaixo do nível da tomada, ou do conector (se for utilizado um cabo de extensão), para evitar que a água percorra o cabo e entre em contato com a tomada. Se o plugue ou conector ficar molhado, **NÃO** desligue o cabo. Desconecte o fusível ou disjuntor que fornece energia ao aparelho. Em seguida, desconecte e examine a presença de água na tomada.

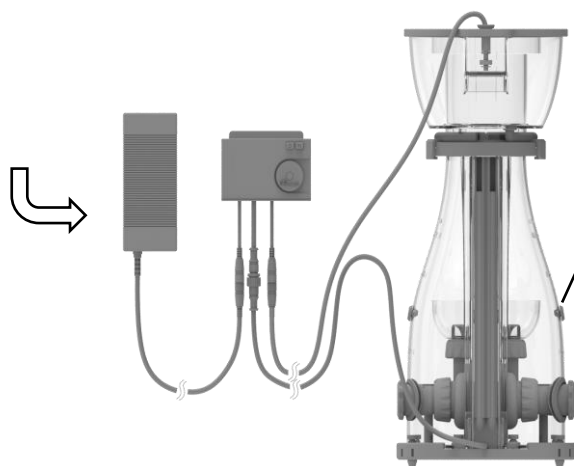
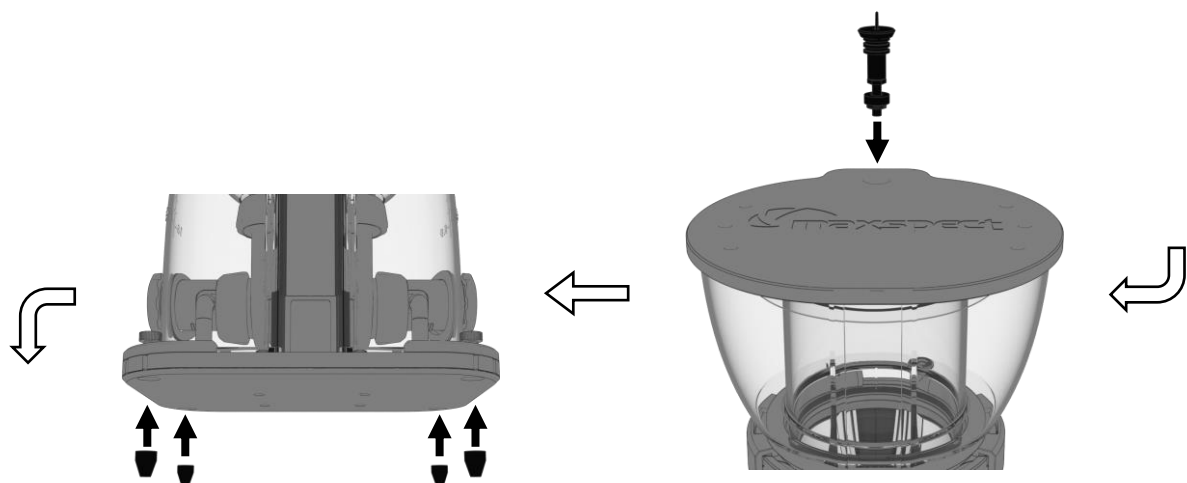


2. Uma supervisão próxima é necessária quando qualquer aparelho é usado por crianças ou perto delas.
3. Para evitar lesões, não entre em contato com partes móveis ou peças quentes, como aquecedores, refletores, lâmpadas e outros.
4. Desligue sempre um aparelho de uma tomada quando não estiver em uso, antes de colocar ou retirar peças e antes de limpar. Nunca puxe pelo cabo para retirar da tomada. Segure o plug e puxe para desconectar.
5. Não use um aparelho para uma função diferente do previsto. O uso de acessórios não recomendados / vendidos pelo fabricante do aparelho pode causar uma condição insegura de uso.
6. Não instale nem armazene os aparelhos onde ele estará exposto ao clima ou a temperaturas abaixo do congelamento.
7. Certifique-se de que o aparelho montado em um aquário esteja instalado de forma segura antes de operá-lo.
8. Leia e observe todos os avisos importantes no aparelho.
9. Se for necessário um cabo de extensão, deve-se usar um cabo com uma classificação apropriada. Um cabo classificado para menos amperes ou watts do que a classificação do aparelho pode superaquecer e causar problemas.

Remova todos os materiais de embalagem antes de montar.



PT

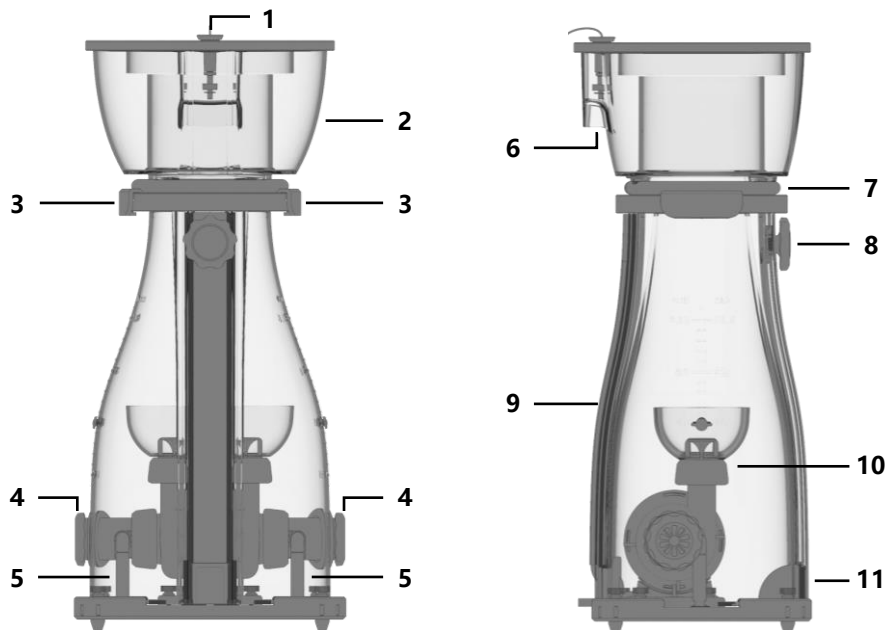


**Importante:** Este plugue é usado para indicar o nível de água ideal. Não retire ou levará a vazamentos de água.

## Visualizar

O Skimmer MaxSpect™ Aeraqua Duo Protein é diferente da maioria dos produtos similares vendidos no mercado, possui um design diferenciado de skimmer e novas características com muitas vantagens.

- **Duas entradas de água:** O Aeraqua Duo possui duas entradas de água (4) que permitem que o coletor sugue a água de ambos os lados do skimmer. Próximo aos coletores de ambos os lados das duas entradas é permitido que seja sugada a água de dentro do próprio skimmer. Isso melhora significativamente a filtragem da água do aquário.
- **Dual Needle Wheels:** Cada entrada de água possui duas rodas de agulha (dual needle wheels). Enquanto um gira o outro permanece estático. Este design exclusivo faz com que as bolhas geradas sejam ainda menores e em densidade mais alta se comparam à maioria dos skimmers tradicionais que usam a tecnologia de roda de agulha (needle wheel).
- **Totalmente Integrado:** O Aeraqua Duo é um skimmer totalmente integrado, com o ajuste do nível de água (8) e a mangueira de ar (9) integrados no corpo do skimmer. Isso economiza mais espaço para o reservatório, sendo assim mais conveniente para a manutenção.
- **Sensor de nível:** O Aeraqua Duo possui um sensor de nível (1) que pode detectar o nível de água do copo de coleta e enviar um sinal de aviso quando necessário.



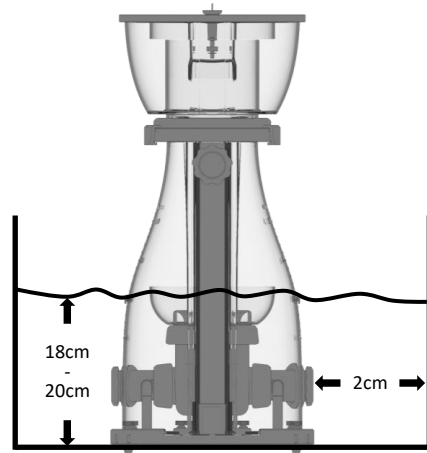
- |                          |                            |                                 |
|--------------------------|----------------------------|---------------------------------|
| 1. Sensor de Nível       | 5. Mangueira de Ar         | 9. Mangueira de Ar              |
| 2. Copo de Coleta        | 6. Suporte do Copo Coletor | 10. Duas Saídas de Bolhas de Ar |
| 3. Ajuste Rápido         | 7. Mangueira de Drenagem   | 11. Saída de Água               |
| 4. Duas Entradas de Água | 8. Ajuste do Nível de Água |                                 |

## Posicionamento e Ajustes

### Posicionamento

Para posicionar o Skimmer Aeraqua Duo Protein em um local adequado, algumas regras devem ser seguidas:

- Antes de colocar o skimmer no reservatório, recomenda-se limpá-lo com água doce.
- Coloque o skimmer em um compartimento onde o nível da água esteja em altura consistente. Um sistema de reposição de água automático pode ser necessário para manter o nível da água.
- Coloque o skimmer em um local sem restos de detritos, cascalho, areia, conchas e pequenos objetos.
- O nível de água ideal do skimmer é entre 18-20cm / 7,1"-7,9".
- Cada lado da entrada de água requer pelo menos 2 cm / 1 polegada de espaço.
- A saída de água requer pelo menos 2 cm / 1 polegada de espaço.
- Apenas para uso interno.



### Comissionamento (Break-in)

Depois de posicionar o skimmer em local adequado, ele está pronto para colocá-lo em operação. No entanto, para que o skimmer possa ter um ótimo desempenho, ele requer um período de "amaciamento" que pode durar de minutos a alguns dias. Depende de muitos fatores, tais como: os resíduos de adesivo, gorduras ou outras impurezas semelhantes deixadas no skimmer, ou química, alimentação e tensão superficial da água, etc. Para ajustar o skimmer, existem três maneiras que você pode escolher.

- **Controlador:** Você pode ajustar a velocidade de trabalho da bomba eletrônica, ajustando o parâmetro através do controlador.
- **Entradas de água:** Ambas as entradas de água podem ser giradas. Para cada um deles você pode:
  1. Ajuste o volume de água sugada de fora do skimmer.
  2. Sugar a água de dentro e de fora do skimmer.
  3. Sugar a água apenas de dentro do skimmer.
- **Saída de água:** Você pode controlar o volume de água que sai do coletor girando o regulador de nível de água (8).

A resposta de qualquer alteração nos ajustes é demorada e pode levar alguns minutos. Para uma operação detalhada, leia a seção "Operação".



## Instruções de operação

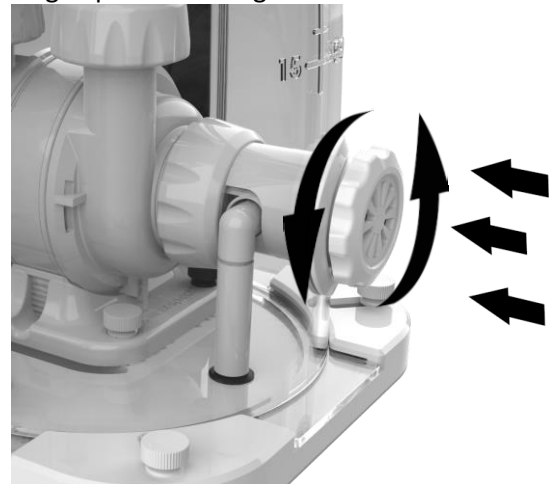
Aeraqua Duo Protein Skimmer possui três maneiras diferentes para você ajustar o desempenho da formação de espuma.

### 1. Entradas de Água

O design exclusivo do Aeraqua Duo permite que você escolha a maneira de sugar a água no skimmer, girando as entradas de água.

Por exemplo, se houver uma certa quantidade de peixes e corais.

- 1) Para um aquário de 400-750L / 100-200gal, considerando alta bio-carga para o aquário, sugere-se abrir 80% de uma entrada de água para extrair água de fora do skimmer, enquanto o outro fecha completamente para torná-lo recirculação interna.
- 2) Para um aquário de 750-1.250L / 200-325gal, considerando bio-carga média para o aquário, sugere-se abrir totalmente uma entrada de água para extrair água de fora do skimmer enquanto abre 30-50% do outro, para tirar água de dentro e de fora do skimmer.
- 3) Para um aquário de 1.250-1.700 L / 325-450gal, considerando baixa bio-carga para o aquário, sugere-se abrir totalmente ambas as entradas de água para extrair água de fora do coletor.



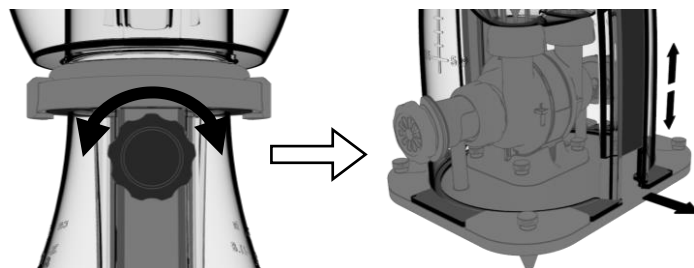
PT

No entanto, a sugestão mencionada acima é apenas uma orientação geral que ajuda a explicar o uso de entradas de água. O que é adequado para o seu aquário será verificado apenas após observar e ajustar cuidadosamente o skimmer.

**IMPORTANTE: NÃO FECHÉ TOTALMENTE AMBAS AS ENTRADAS DE ÁGUA AO MESMO TEMPO.**

### 2. Saída de Água

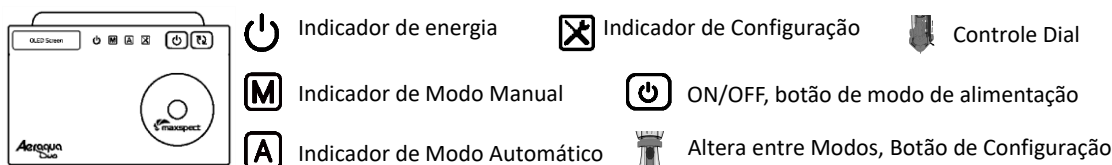
Você pode controlar o nível da água girando o ajustador do nível de água.



# Instruções de operação

## 3. Controlador

### Introdução à Unidade Controladora





### Ligue / desligue o Skimmer





Presione el botón ON / FF durante 3 segundos para encender o apagar el aparato. Mientras el aparato está apagado, el Gyre dejará de funcionar, los indicadores y la pantalla OLED del controlador se apagarán. Sin embargo, si el dispositivo está conectado a un ICV6 (se vende por separado), la aplicación SYNA-G puede activarla.

### Inicialize o Skimmer

Antes de funcionar a skimmer, existem algumas configurações básicas que você precisa fazer no sistema.



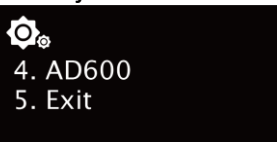
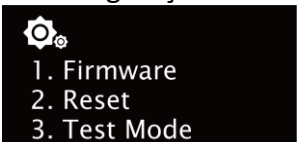
-  Ajuste o relógio do sistema.
-  Defina o tempo de atraso antes de o aparelho entrar em funcionamento.



1.  Entre na página de configuração.
2.  Alterne entre as configurações.
3.  Ajuste de parâmetro.
4.  Salvar configuração.

**Nota:** Tempo de atraso permite que você defina uma duração para o dispositivo, quando o dispositivo estiver conectado à energia, ele continuará a parar de funcionar por um período de tempo e, em seguida, começará a funcionar. Isso é útil especialmente quando o dispositivo é restaurado para a alimentação após uma falha de energia para evitar o transbordamento do copo de coleta. Configurações disponíveis: OFF, 10s (padrão), 30s, 60s, 120s, 180s, 300s.

### Configuração do sistema

Para entrar na página Configuração do Sistema, primeiro desconecte a fonte de energia da linha A da unidade controladora, depois pressione e segure o botão dial de controle e reconecte a fonte de energia. Continue segurando o botão dial de controle até que a página de configuração do sistema seja mostrada no monitor OLED.



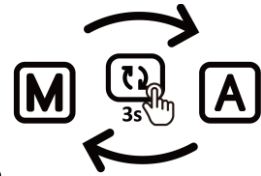
1.  Alterne entre as funções.
2.  Aplique a função.

1. Atualize ou faça o downgrade do firmware do sistema.
2. Redefine a configuração do usuário para a configuração padrão de fábrica.
3. Isso só deve ser feito pelos usuários quando informado pelo revendedor autorizado ou representante do cliente para realizar determinado teste na luminária.
4. Seleção de modelo.
5. Reinicialize o sistema para o status operacional normal.

# Instruções de operação

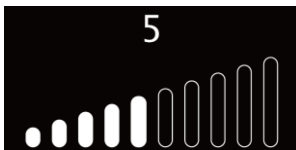
## Alternar entre modos

**Modo Automático:** Existem no máximo 8 pontos de tempo para você definir diferentes velocidades de trabalho que serão recicladas a cada 24 horas.






**Modo manual:** Ajuste manualmente a velocidade de trabalho da bomba.

## Modo manual



5 Velocidade de trabalho atual  
Indicador de Nível





1.  Entre na página de configuração.
2.  Ajuste de parâmetro.
3.  Salvar configuração.

Nota: Deixando sem operação por 30s também salvará a configuração.

## Modo Automático

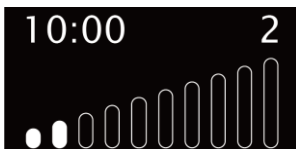







1 Ponto de tempo atual 09:00 Hora atual  
8 Velocidade de trabalho Indicador de Nível

1.  Entre na página de configuração.
2.  Alterne entre as configurações.
3.  Ajuste de parâmetro.
4.  Salvar configuração.

Nota: Deixando sem operação por 30s também salvará a configuração.

## Modo de alimentação



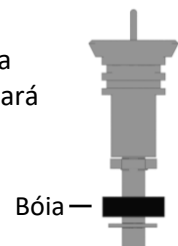
1.  Entrada/saida Modo de alimentação
2.  Entre na página de configuração.
3.  Alterne entre as configurações.
4.  Ajuste de parâmetro.
5.  Salvar configuração.

## Detecção de transbordamento



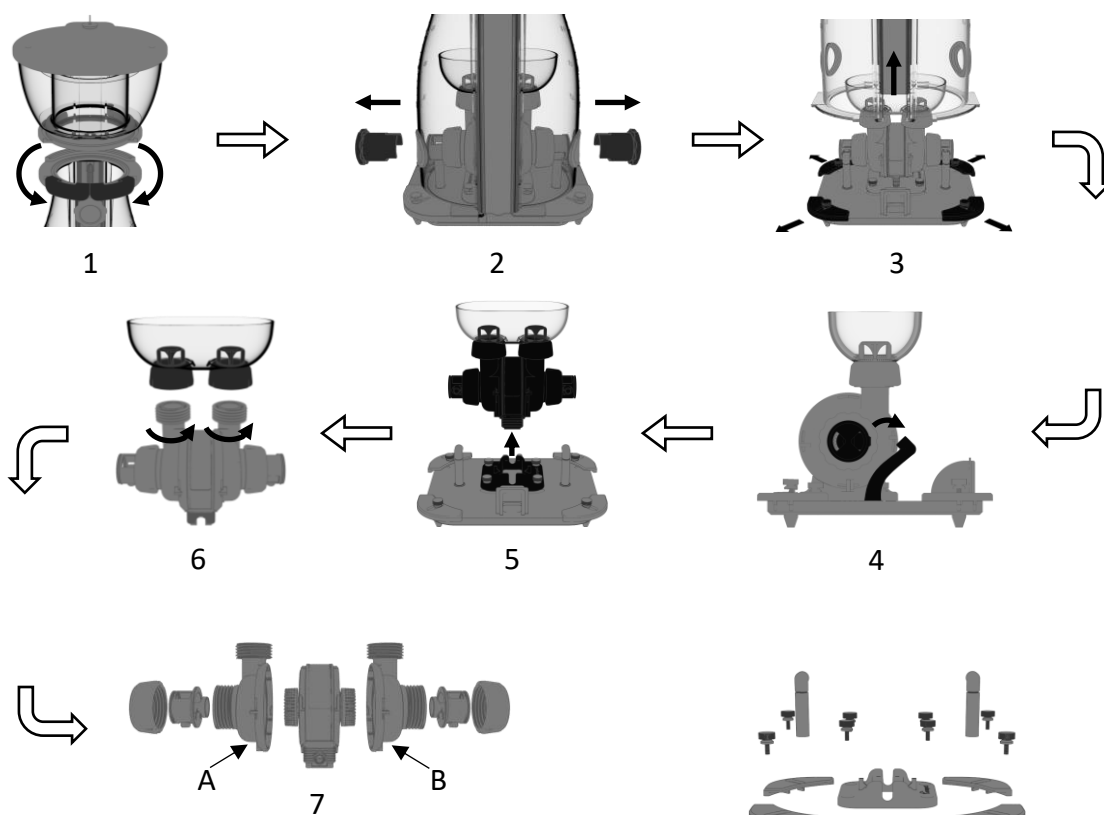
**Aviso de transbordamento:** A bomba desliga-se imediatamente quando a bóia do sensor está flutuando na água, "FULL" (cheio) exibido no visor, o led do logotipo ficará piscando no controlador. O sensor começa a detectar em intervalos de 10 segundos.

**De volta à operação:** Se a boia estiver de volta à sua posição normal, a bomba retornará para o status de trabalho anterior. Desaparecerá do visor "Full" (cheio). Logo LED está constante.

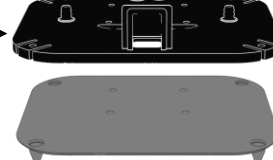


## Manutenção do aparelho

O Skimmer MaxSpect™ Aeraqua Duo pode ser completamente desmontado para manutenção e limpeza. Isso é feito na ordem das etapas descritas abaixo. Devido às duras condições de um aquário de água salgada e conseqüente acúmulo de algas e outras matérias orgânicas, é aconselhável limpar a bomba para garantir a longevidade do aparelho. A Maxspect recomenda fazer uma limpeza a cada 6 meses ou conforme necessário. Se houver acúmulo de cálcio, pode ser necessário embeber essas partes em uma solução ácida suave, como o vinagre. NÃO use ácidos fortes, pois estes podem causar danos permanentes aos componentes. Após a limpeza, remonte o aparelho.

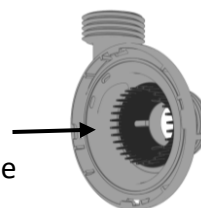


1. A base integrada com o silenciador de entrada de ar também precisa ser limpa durante a limpeza do skimmer.



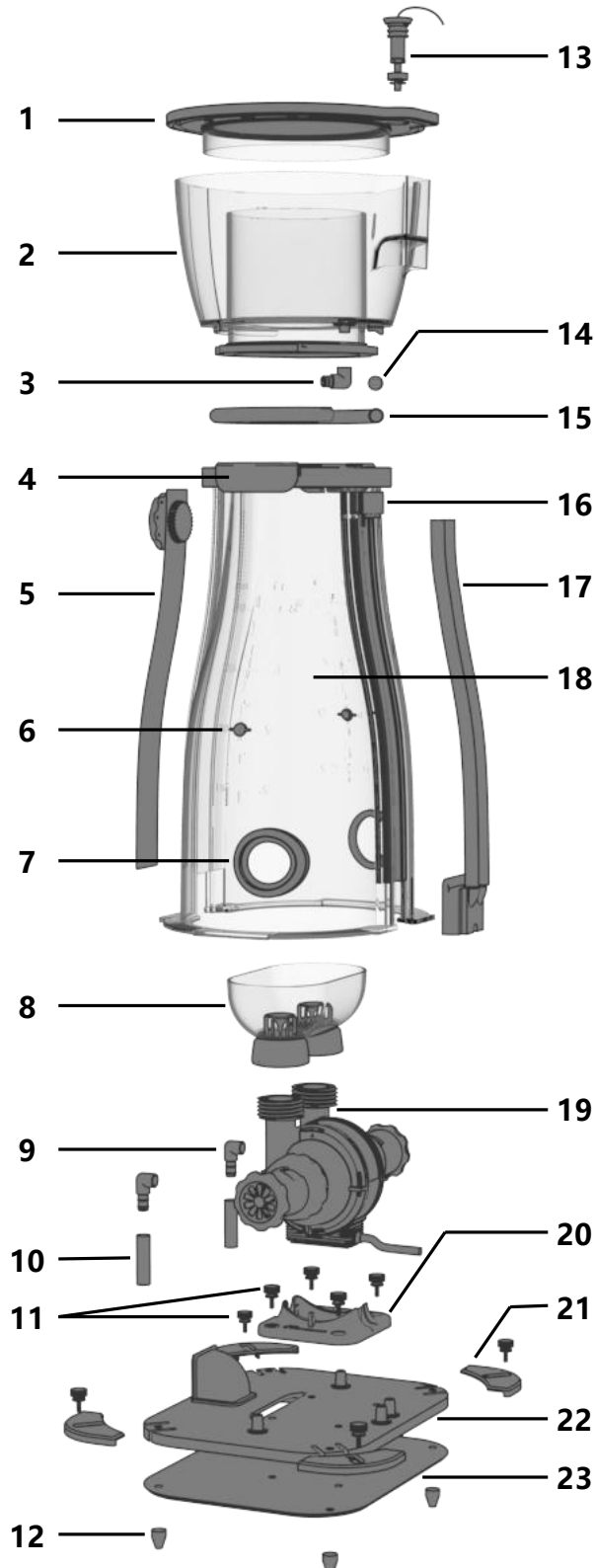
2. NÃO desmonte a (static needle wheel) roda da agulha estática. (Ref. Etapa 7)

3. A caixa integrada com a roda de agulha estática (static needle wheel) deve ser instalada no lado correto ao remontar a bomba. (Ref. Passo 7)



## Partes separadas

### Skimmer

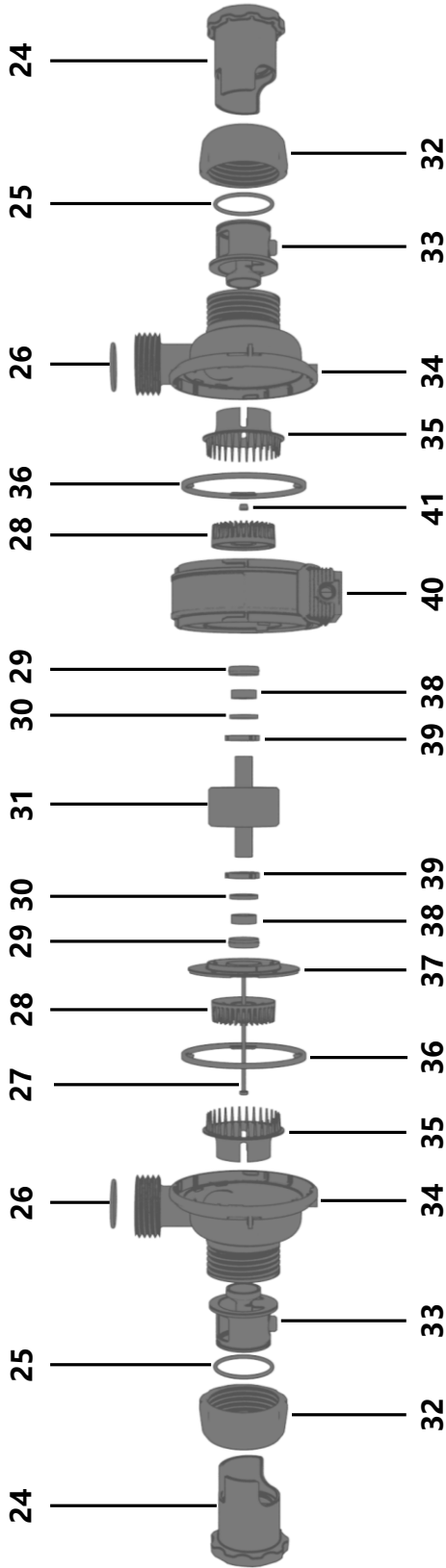


No.	Nome	QTY
1	Tampa do Copo	1
2	Copo de Coleta	1
3/9	Conector de Mangueira	3
4	Ajuste Rápido	2
5	Ajuste do Nível de Água	1
6	Plug de Nível de Água Ideal	2
7	Selo de Entrada de Água	2
8	Copo de Bolhas	1
10	Mangueira de Ar	2
11	Bomba/Parafuso da Base do Skimmer	8
12	Skimmer Pad	4
13	Sensor de Nivel Alto	1
14	Plug da Mangueira de Drenagem	1
15	Mangueira de Drenagem	1
16	Conector de entrada de ar	1
17	Mangueira de Ar	1
18	Corpo do Skimmer	1
19	Corpo da Bomba	1
20	Base da Bomba	1
21	Trava do Corpo do Skimmer	4
22	Base do Skimmer	1
23	Placa Traseira	1

PT

# Partes separadas

## Bomba



No.	Nome	QTY	No.	Nome	QTY	No.	Nome	QTY
24	Ajuste de Entrada de Água	2	30	Rolamento de Cerâmica	2	36	Selo de Silicone	2
25	Selo de Silicone	2	31	Rotor	1	37	Capa do Rotor	1
26	Selo de Silicone	2	32	Porca de Entrada de Água	2	38	Rolamento	2
27	Parafuso de Titânio	1	33	Misturador Ar/Água	2	39	Pad de Silicone	2
28	Roda de Agulhas Giratórias (Needle Wheel)	2	34	Capa das Agulhas Giratórias (Needle Wheel)	2	40	Estator	1
29	Pad de Silicone	2	35	Roda de Agulha Estática (indetectável)	2	41	Porca de Titânio	1

## Garantia

Maxspect Ltd. garante ao produto Maxspect™ a garantia de 12 meses relacionados com defeitos de fabricação, sendo contados a partir da data de compra. Se houver algum defeito no produto durante o período de garantia, a Maxspect realizará o reparo no equipamento (com peças novas) sem nenhum custo.

A garantia não se aplica ao produto que foi submetido a mau uso, manipulado por pessoas não autorizadas (técnicos ou não), usado de forma inadequada (instalação, local inadequado), alteração na configuração dos leds ou qualquer tipo de queda do produto que possa causar danos ao mesmo.

### **ISENÇÃO DE DANOS E CONSEQÜÊNCIAS:**

Você e qualquer outro usuário dos produtos Maxspect Ltd. não terá direito a quaisquer danos acidentais, incluindo, sem limitação, perda de uso da unidade, inconveniência, danos a bens pessoais, telefonemas, perda de renda ou lucros. Esta garantia lhe dá direitos legais específicos.

**MAXSPECT LTD. NÃO FAZ NENHUMA GARANTIA OU REPRESENTAÇÃO, EXPRESSA OU IMPLÍCITA, COM RELAÇÃO À QUALIDADE DO PRODUTO, DESEMPENHO, COMERCIALIZAÇÃO OU ADEQUAÇÃO PARA UM DETERMINADO PROPÓSITO. COMO RESULTADO, ESTE PRODUTO, É VENDIDO "COMO ELE É", E VOCÊ O COMPRADOR ASSUME O RISCO TOTAL COM A SUA QUALIDADE E DESEMPENHO.**

**EM HIPÓTESE ALGUMA MAXSPECT LTD SÃO RESPONSÁVEIS DIRETOS, INDIRETOS, ESPECIAIS, INCIDENTAIS OU CONSEQÜENCIAIS DECORRENTES DE QUALQUER DEFEITO NO PRODUTO OU SUA DOCUMENTAÇÃO.**

A garantia, aviso legal, e soluções estabelecidas acima são exclusivas. A substituir todos os outros, oral ou escrita, expressa ou implícita. Em nenhum momento, quaisquer negociantes Maxspect Ltd., agentes ou funcionários serão autorizados a fazer qualquer modificação, extensão ou acréscimo a esta garantia.

Alguns estados não permitem a exclusão ou limitação de garantias implícitas ou de responsabilidade por danos acidentais ou consequentes, portanto a limitação ou exclusão acima pode não se aplicar a você.

PT

**ATENÇÃO:** Para as especificações mais recentes do Aeraqua Duo Protein Skimmer,  
visite: [www.maxspect.com](http://www.maxspect.com)





***Szanowny Kliencie,***

Dziękujemy i gratulujemy za zakup naszego produktu.

Prosimy o uważne przeczytanie poniższych instrukcji w celu uzyskania optymalnej wydajności i bezpieczeństwa.

**User Memo:**

Data zakupu: \_\_\_\_\_

Sprzedawca: \_\_\_\_\_

Adres sprzedawcy: \_\_\_\_\_

Strona web  
sprzedawcy: \_\_\_\_\_

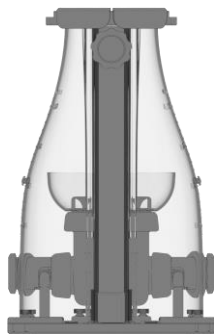
E-mail sprzedawcy: \_\_\_\_\_

Telefon sprzedawcy: \_\_\_\_\_

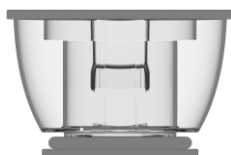
**Odwiedz nas na Facebook i Twitter!**<https://www.facebook.com/Maxspect><http://twitter.com/maxspectled>

## Zawartość opakowania

Proszę sprawdzić zawartość opakowania.



x1



x1



x1



x1



x1



x1

PL



x4



Części zamienne

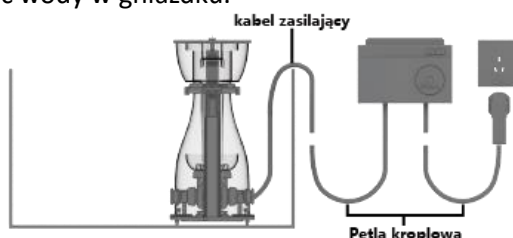
x2

## Środki ostrożności

Proszę o uważne przeczytanie poniższych instrukcji obsługi przed użyciem zestawu oświetleniowego **Maxspect™ Aeraqua Duo Protein Skimmer**. Proszę zwrócić szczególną uwagę na zawarte poniżej instrukcje. Prosimy o przechowanie podręcznika do wykorzystania w przyszłości.

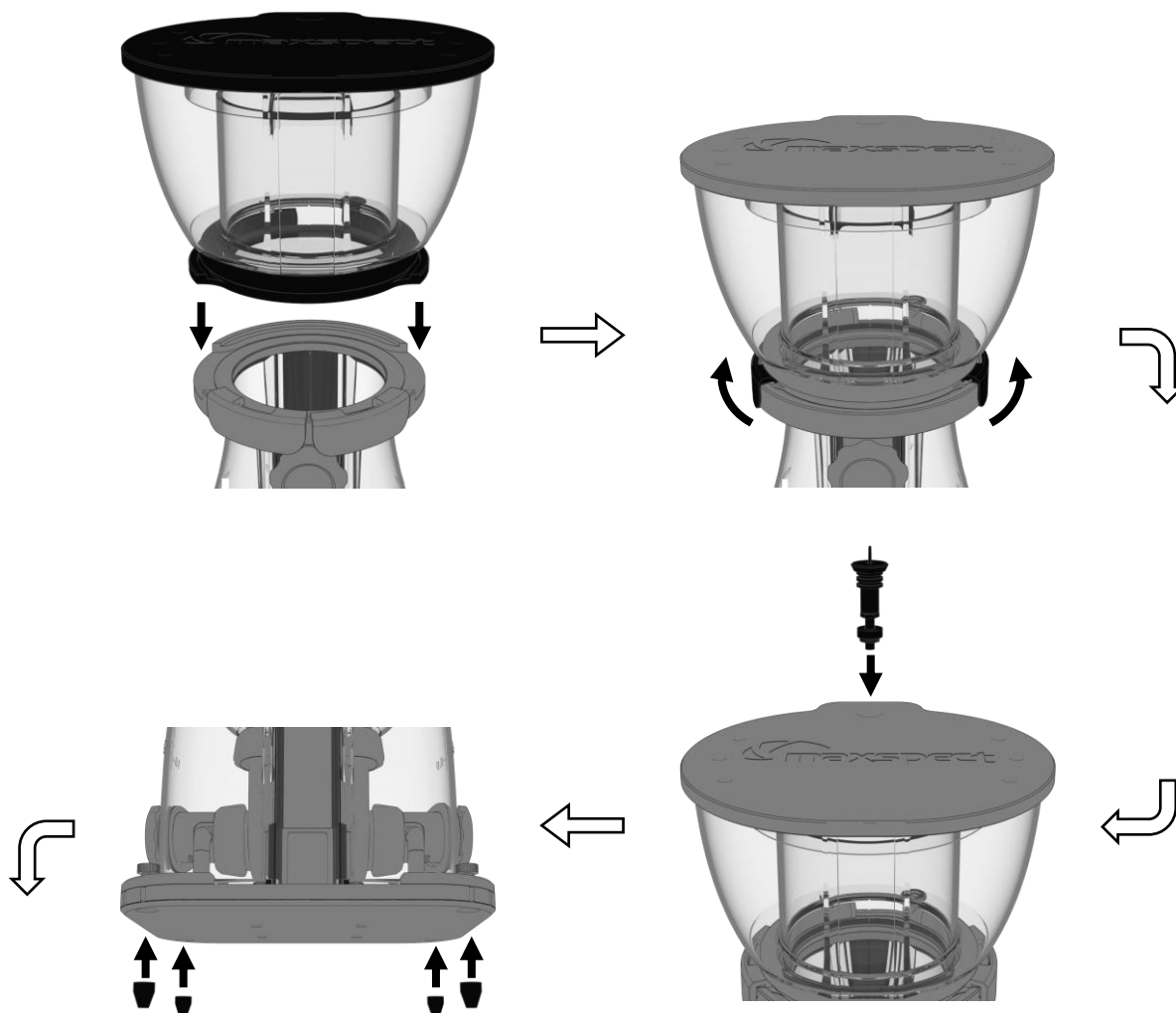
### PRZECZYTAJ I przestrzegaj WSZYSTKICH INSTRUKCJI BEZPIECZEŃSTWA

- 1. UWAGA** – By uniknąć możliwości porażenia prądem należy postępować ostrożnie gdyż woda jest używana przez oprzyrządowanie akwarystyczne. W niżej wymienionych sytuacjach nie należy przystępować do naprawy samodzielnie, zwróć uszkodzony sprzęt do autoryzowanego serwisu bądź zutylizuj je.
  - a) Jeśli urządzenie wykazuje oznaki niespodziewanego przeciekania, natychmiast odłącz zasilanie.
  - b) Uważnie przyglądaj się urządzeniu po instalacji. Nie podłączaj urządzenia jeśli woda znajduje się na częściach które nie powinny być mokre.
  - c) Nie używaj urządzenia które: posiada uszkodzony kabel lub wtyczkę, nie funkcjonuje poprawnie, upadło lub zostało uszkodzone w jakikolwiek sposób.
  - d) By uniknąć zamoczenia wtyczki bądź gniazda elektrycznego, ustaw stelaż akwarium oraz samo akwarium po jednej stronie gniazda elektrycznego by uniknąć kłopotów na wtyczkę lub gniazdo. Pętla Drip Loop pokazana na obrazku powinna być układana z każdego kabla wychodzącego z urządzenia w akwarium podłączonego do gniazda. Pętla Drip loop to ta część kabla znajdująca się poniżej gniazda lub złącza jeśli przedłużacz jest używany. Jeśli wtyczka lub gniazdo zamoknie, NIE odłączaj kabla. Odłącz bezpiecznik lub wyłącznik nadprądowy który zasila urządzenie. Potem odłącz i zbadaj obecność wody w gniazdku.

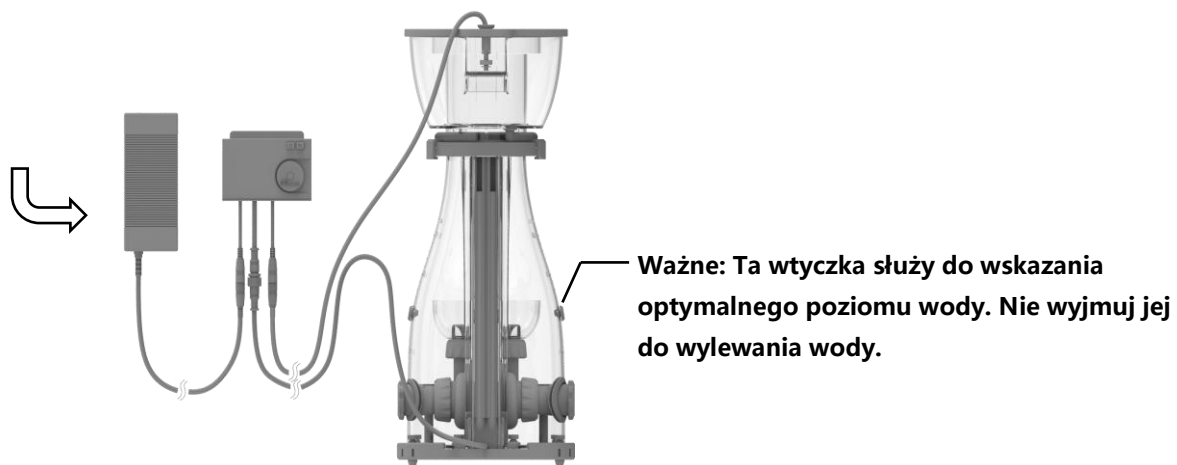


2. W przypadku używania urządzenia przez i przy dzieciach, zalecany jest szczególny nadzór.
3. By uniknąć zranienia, zaleca się unikanie kontaktu z częściami w ruchu bądź nagrzewającymi się takimi jak grzejniki, odbłyśniki, żarówki i tym podobne.
4. Zawsze odłączaj urządzenie jeśli nie jest używane, przed montażem i demontażem części oraz przed czyszczeniem. Nigdy nie szarp za kabel w celu wyciągnięcia wtyczki z gniazdka. Chwyć wtyczkę i pociągnij by rozłączyć.
5. Nie używaj urządzenia w innym celu niż przewidziany. Używanie dodatków nie polecanych bądź sprzedawanych przez producenta może stwarzać zagrożenie.
6. Nie instaluj bądź przechowuj urządzenia w miejscu wystawionym na warunki atmosferyczne bądź temperatury poniżej temperatury zamarzania.
7. Upewnij się że urządzenie jest zamontowane poprawnie i bezpiecznie w akwarium przed uruchomieniem.
8. Leia e observe todos os avisos importantes no aparelho.
9. Jeśli przedłużacz jest potrzebny, użyj przewodu z odpowiednimi parametrami. Przewód z niższym amperażem bądź mocą niż urządzenie może się przegrzać.

Usuń wszystkie materiały pakunkowe przed montażem.



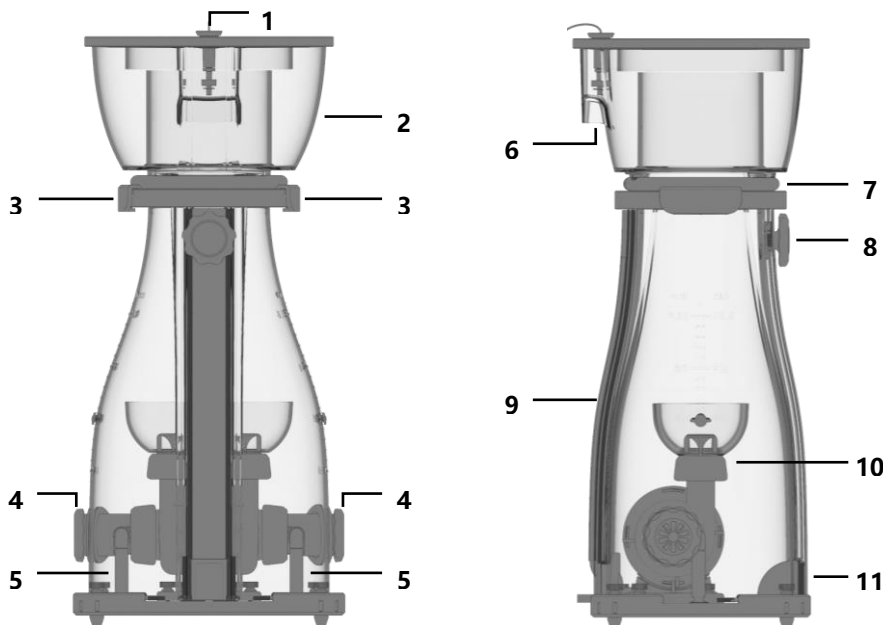
PL



## Wstęp

Maxspect™ Aeraqua Duo Protein Skimmer różni się od większości podobnych produktów sprzedawanych na rynku, jest to zupełnie nowy design odpieniacza o kilku zaletach.

- **Podwójne wloty wody:** Aeraqua Duo posiada podwójne wloty wody (4), które pozwalają odpieniaczowi zasysać wodę z obu stron skimmera. Całkowicie zamknięta po obu stronach wpustów pozwala zasysać wodę z wnętrza odpieniacza. Zapewnia to lepszą filtrację wody w akwarium.
- **Podwójne wirniki igiełkowe:** Każdy wlot wody ma podwójne wirniki igiełkowe. Jeden wiruje, a drugi jest statyczny. Ta unikalna konstrukcja sprawia, że pęcherzyki wytwarzane są jeszcze mniejsze i mają większą gęstość w porównaniu z większością tradycyjnych odpieniaczy wykorzystujących technologię igiełkową.
- **Wysoce zintegrowany:** Aeraqua Duo to wysoce zintegrowany odpieniacz z regulatorem poziomu wody (8) i przewodem powietrznym (9) zintegrowanym w korpusie odpieniacza. Pozwala to zaoszczędzić więcej miejsca w sumpie i jest wygodniejsze w eksploatacji.
- **Czujnik poziomu:** Aeraqua Duo wyposażony jest w czujnik poziomu (1), który może wykryć poziom wody w kubku zbiorczym i wysłać sygnał ostrzegawczy w razie potrzeby.



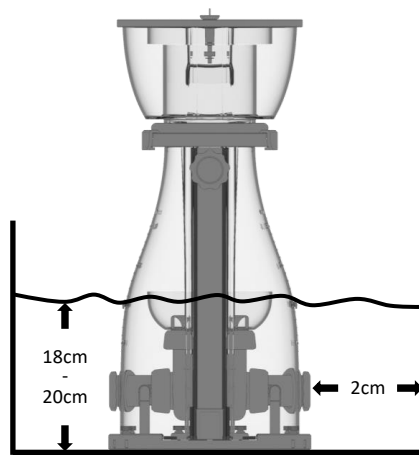
- |                       |                         |                                |
|-----------------------|-------------------------|--------------------------------|
| 1. Czujnik poziomu    | 5. Przewód powietrza    | 9. Przewód powietrza           |
| 2. Kubek zbiorczy     | 6. Uchwyt kubka         | 10. Podwójne gniazda wyjściowe |
| 3. Zamek kubka        | 7. Wąż spustowy         | 11. Wylot wody                 |
| 4. Podwójny wlot wody | 8. Czujnik poziomu wody |                                |

## Umieszczenie i uruchomienie

### Umieszczenie

Aby ustawić odpieniacz białek Aeraqua Duo w odpowiednim miejscu, należy przestrzegać następujących zasad:

- Przed włożeniem skimmera do sumpy zaleca się przemyć go świeżą wodą.
- Umieścić skimmer w komorze sumpy, w której poziom wody jest stały. W przeciwnym razie do utrzymania poziomu wody może być potrzebny system automatycznej dolewki wody.
- Umieścić odpieniacz w miejscu, w którym nie ma zanieczyszczeń, żwiru, piasku, muszli i małych przedmiotów.
- Optymalny poziom wody w skimmerze wynosi między 18-20 cm / 7,1 "-7,9".
- Każda strona wlotu wody wymaga co najmniej 2 cm / 1 cal przestrzeni.
- Wylot wody wymaga co najmniej 2 cm / 1 cal przestrzeni.
- Tylko do użytku wewnętrznego.



### uruchomienie

Po ustawieniu odpieniacza w odpowiednim miejscu jest on gotowy do uruchomienia. Jednak zanim skimmer może działać optymalnie, wymaga okresu rozruchu, który może trwać od kilku minut do kilku dni. Zależy to od wielu czynników, takich jak: pozostałości kleju, tłuszcze lub inne podobne zanieczyszczenia pozostawione w odpieniaczu, chemia, zasilanie i napięcie powierzchniowe wody itp. Aby dostroić odpieniacz, można wybrać trzy sposoby.

- **Sterownik:** Można dostosować prędkość roboczą pompy, ustawiając parametr za pomocą sterownika.
- **Wloty wody:** Oba wloty wody są obrotowe. Do każdego z nich możesz:
  1. Wyregulować objętość wody zasysanej z zewnątrz odpieniacza.
  2. Pobierać wodę z wnętrza i z zewnątrz skimmera.
  3. Pobierać wodę tylko z wnętrza odpieniacza.
- **Wylot wody:** Możesz kontrolować objętość wody wypływającej ze skimmera, obracając regulator poziomu wody (8).

Odpowiedź każdej zmiany regulacji jest opóźniona w czasie. Aby uzyskać szczegółowe informacje, przeczytaj sekcję „Obsługa”.

# Instrukcje obsługi

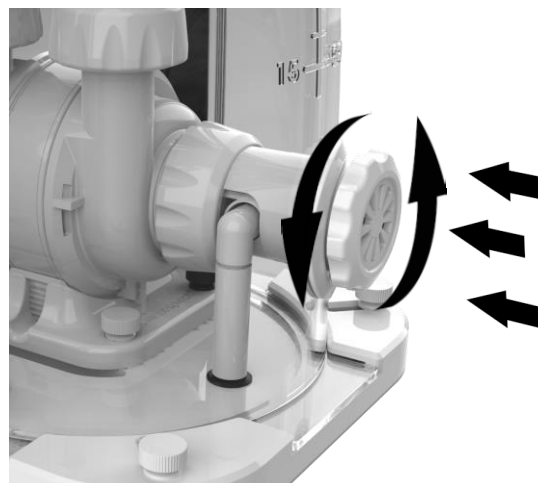
Aeraqua Duo Protein Skimmer oferuje trzy różne sposoby regulacji wydajności spieniania.

## 1. wlot wody

Unikalna konstrukcja Aeraqua Duo pozwala wybrać sposób zasysania wody do odpieniacza, obracając wloty wody.

Na przykład, jeśli jest pewna ilość ryb i koralowców.

- 1) W akwarium o pojemności 400–750 l / 100–200 gal, jeśli jest duże obciążenie biologiczne w akwarium, zaleca się otwarcie 80% jednego wlotu wody, aby pobierać wodę z zewnątrz odpieniacza, podczas gdy w pełni zamyka się drugi, aby uzyskać recyrkulację wewnętrzną.
- 2) W przypadku akwarium o pojemności 750–1 250 L / 200–325 gal, jeśli akwarium jest średnio obciążone biologicznie, zaleca się pełne otwarcie jednego wlotu wody, aby pobrać wodę z zewnątrz skimmera, podczas gdy 30-50% drugiego jest otwarte, czerpać będzie wodę z wnętrza i z zewnątrz skimmera.
- 3) W akwarium o pojemności 1 250–1 700 L / 325–450 gal, jeśli akwarium będzie mało obciążenie biologicznie, zaleca się całkowite otwarcie obu wlotów wody, aby pobierać wodę z zewnątrz skimmera.



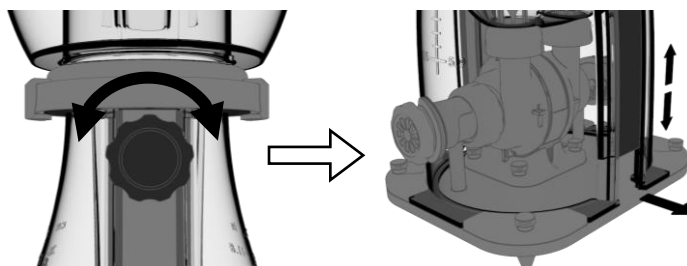
PL

Jednak powyższa sugestia jest jedynie ogólną wskazówką pomagającą wyjaśnić użycie wlotów wody. Odpowiedni do akwarium zostanie zweryfikowany dopiero po uważnym obserwowaniu i dostrojeniu skimmera.

**WAŻNE: NIE ZAMYKAJ W PEŁNI OBCIĄŻENIA WODY W TYM SAMYM CZASIE.**

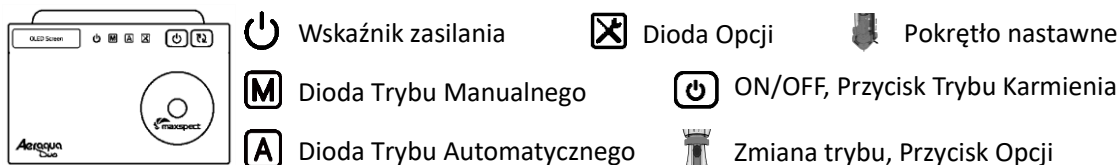
## 2. Wylot wody

Możesz kontrolować poziom wody, obracając regulator poziomu wody.



## 3. Sterownik

### Wprowadzenie do jednostki sterującej

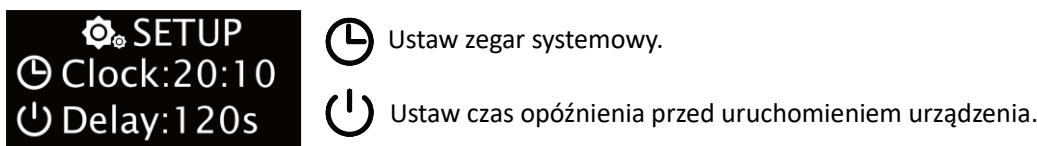






### Włącz / wyłącz skimmer

Naciśnij i przytrzymaj przycisk ON/OFF przez 4s by włączyć lub wyłączyć urządzenie, pompa się zatrzyma a diody i wyświetlacz OLED kontrolera zgasną. Lecz jeśli urządzenie jest połączone z ICV6 (sprzedawane oddzielnie) nadal może być włączone przez aplikację Syna-G.

### Zainicjuj Skimmer

Przed uruchomieniem skimmera istnieje kilka podstawowych ustawień, które należy wykonać dla systemu.



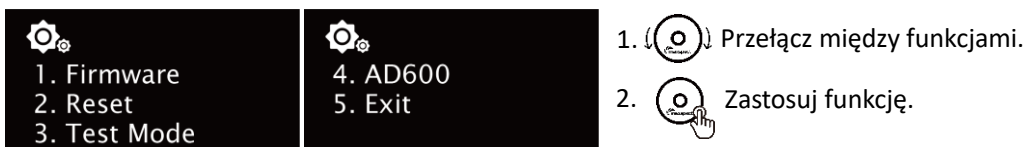
-  Wejść w ustawienia.
-  Przełączanie między ustawieniami.
-  Ustaw parametr.
-  Zapisz ustawienia.

**Uwaga:** Czas opóźnienia pozwala ustawić czas działania urządzenia, gdy urządzenie jest podłączone do zasilania, przestanie ono działać przez pewien czas, a następnie zacznie działać. Jest to szczególnie przydatne, gdy urządzenie zostanie przywrócone do zasilania po awarii zasilania, aby uniknąć przepełnienia kubka zbiorczego. Dostępne ustawienia: OFF, 10s (domyślnie), 30s, 60s, 120s, 180s, 300s.

PL

### Konfiguracja konserwacji

Aby wejść na stronę konfiguracji systemu, najpierw odłącz zasilacz linii A od kontrolera, następnie naciśnij i przytrzymaj pokrętko sterujące i ponownie podłącz zasilacz. Przytrzymaj pokrętko kontrolera, dopóki strona ustawień systemu nie pojawi się na monitorze OLED.



- uaktualnij oprogramowanie systemu.
- Usuń ustawienia użytkownika i przywróć ustawienia fabryczne.
- To powinno być dokonywane tylko za poleceniem autoryzowanego dealera lub przedstawiciela obsługi klienta by przeprowadzać pewne testy na urządzeniu.
- Wybór modelu.
- Uruchom ponownie system do normalnego stanu operacyjnego.



## Instrukcje obsługi

### Przełącz między trybami

**Tryb automatyczny:** Istnieje maksymalnie 8 punktów czasowych, aby ustawić różne prędkości robocze, które będą przetwarzane przez 24 godziny.

**Tryb Manualny:** Ręcznie ustaw prędkość roboczą pompy.






### Tryb Manualny



5 Aktualna prędkość robocza

Indyktor Poziomu

-  Wejść w ustawienia.
-  Ustaw parametr.
-  Zapisz ustawienia.





Uwaga: Pozostawienie bez operacji przez 30s również zapisze ustawienie.

### Tryb automatyczny



1 Bieżący punkt czasowy 09:00 Aktualny Czas






8 Aktualna prędkość robocza Indyktor Poziomu

-  Wejść w ustawienia.
-  Przełączanie między ustawieniami.
-  Ustaw parametr.
-  Zapisz ustawienia.

Uwaga: Pozostawienie bez operacji przez 30s również zapisze ustawienie.

### Tryb karmienia



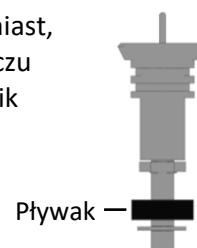
-  Enter / Exit Tryb karmienia.
-  Wejść w ustawienia.
-  Przełączanie między ustawieniami.
-  Ustaw parametr.
-  Zapisz ustawienia.

### Wykrywanie przepełnienia



**Ostrzeżenie przepełnienia:** Pompa wyłącza się natychmiast, gdy pławak czujnika unosi się na wodzie - na wyświetlaczu pojawia się „FULL”, miga logo LED na sterowniku. Czujnik zaczyna wykrywać w odstępie co 10 sekund.

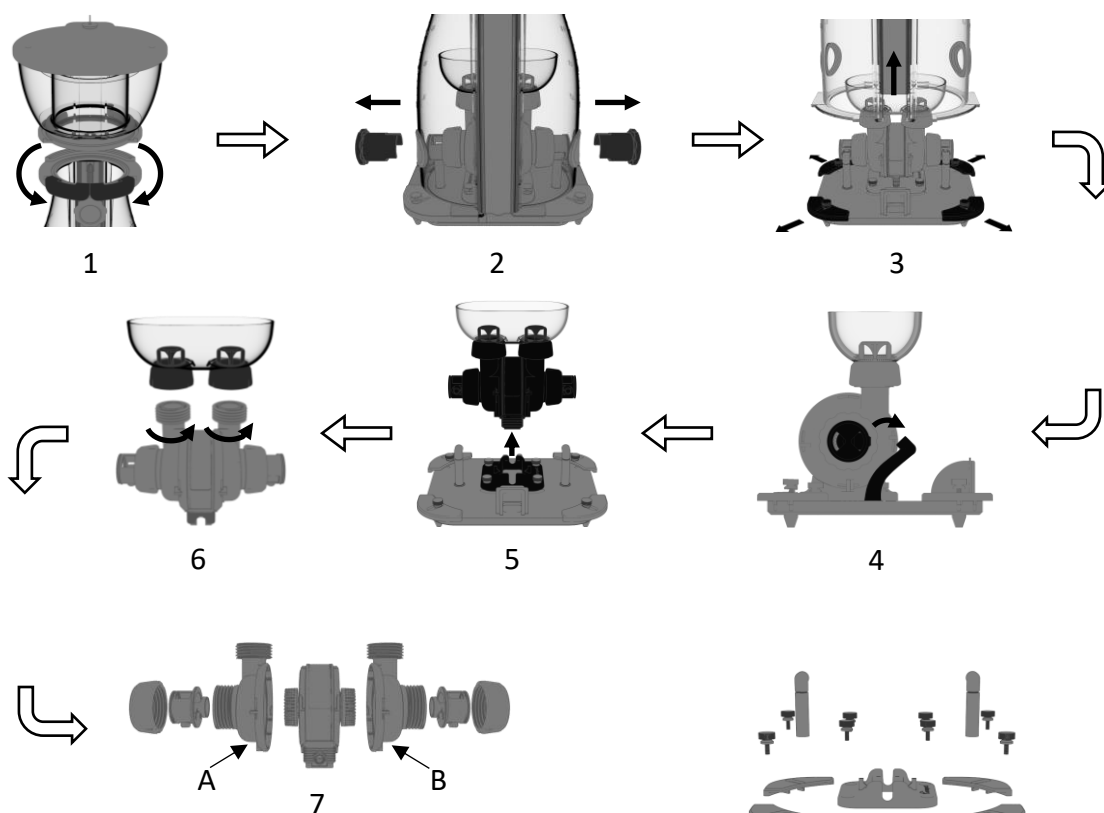
**Powrót do pracy:** Jeśli pławak powróci do swojej normalnej pozycji, pompa powróci do poprzedniego stanu roboczego. „FULL” znika. Logo LED jest stale włączone.



PL

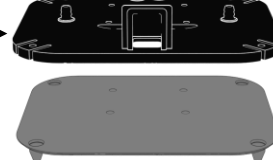
## Konserwacja urządzenia

Maxspect™ Aeraqua Duo można całkowicie zdemontować w celu konserwacji, czyszczenia i serwisowania. Odbywa się to w kolejności kroków opisanych poniżej. Ze względu na trudne warunki w akwarium ze słoną wodą i wynikające z tego gromadzenie się glonów i innych substancji organicznych, zaleca się czyszczenie pompy w celu zapewnienia trwałości urządzenia. Maxspect zaleca czyszczenie co 6 miesięcy lub w razie potrzeby. Jeśli nagromadzi się wapń, może być konieczne namoczenie tych części w łagodnym roztworze kwasu, takim jak rozcieńczony roztwór octu. NIE używaj mocnych kwasów, ponieważ mogą one uszkodzić elementy. Po wyczyszczeniu zmontuj urządzenie.



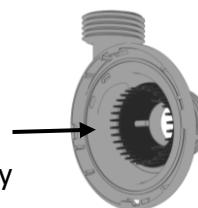
PL

1. Podstawę zintegrowaną z tłumikiem wlotu powietrza należy również oczyścić podczas czyszczenia odpieniacza.



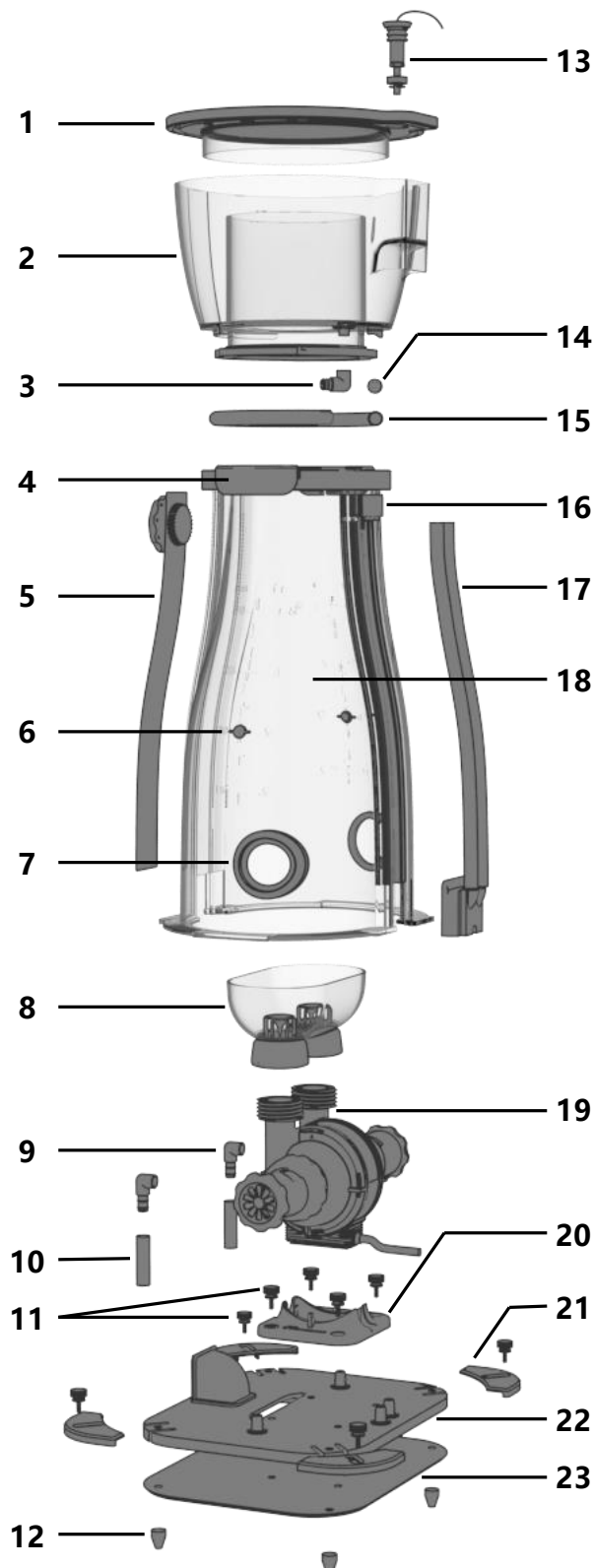
2. NIE demontuj statycznego koła igielkowego. (Ref. Krok 7)

3. Obudowa pompy zintegrowana ze statycznym kołem igielkowym musi być zamontowana po właściwej stronie przy ponownym montażu pompy! (Odn. Krok 7)



# Części zamienne

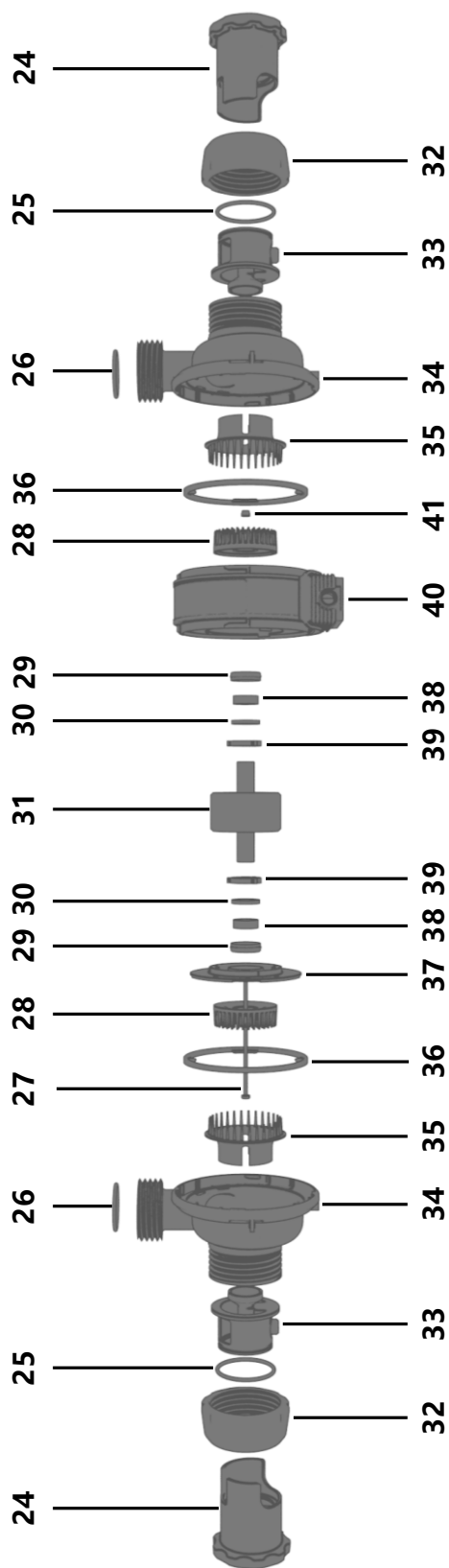
## Skimmer



No.	Nazwa	QTY
1	Pokrywa kubka	1
2	Kubek zbiorczy	1
3/9	Zwłączka spustu urobku	3
4	Zamek kubka	2
5	Regulator poziomu wody	1
6	Wtyczka optymalnego poziomu wody	2
7	Uszczelka wlotu wody	2
8	„Puchar” kierunkowy piany	1
10	Przewód powietrza	2
11	Śruba podstawy pompy	8
12	Sylikonowe stopy skimmera	4
13	Pływak/czujnik poziomu	1
14	Korek węża spustowego	1
15	Wąż spustowy	1
16	Złącze wlotu powietrza	1
17	Przewód powietrza	1
18	Korpus odpieniacza	1
19	Korpus pompy	1
20	Podstawa pompy	1
21	Szybkie mocowanie korpusu odpieniacza	4
22	Podstawa skimmera	1
23	Tyłna rejestracja	1

PL

## Pompa



No.	Nazwa	QTY	No.	Nazwa	QTY	No.	Nazwa	QTY
24	Regulator dopływu wody	2	30	łożysko ceramiczne	2	36	Uszczelka silikonowa	2
25	Uszczelka silikonowa	2	31	Wirnik	1	37	Ostona wirnika	1
26	Uszczelka silikonowa	2	32	Nakrętka wlotu wody	2	38	łożysko	2
27	Tytanowa śruba	1	33	Mikser powietrza / wody	2	39	Podkładka silikonowa	2
28	Ruchomy wirnik	2	34	Obudowa wirnika igielkowego	2	40	Stojan	1
29	Podkładka silikonowa	2	35	Statyczne koło igielkowe (nierozbieralne)	2	41	Nakrętka tytanowa	1

## Gwarancja

Maxspect (HongKong) Limited gwarantuje, że wszystkie pompy Maxspect™ Gyre 300 Series Gyre Flow Pump zostaną usunięte z powodu wad wykonania przez okres 12 miesięcy od daty zakupu.

Jeżeli wada produkcji pojawi się w okresie gwarancji, Maxspect Ltd. zastrzega sobie prawo naprawy (przy użyciu zarówno części nowych jak i regenerowanych) bądź wymiany (na produkt nowy bądź regenerowany) produktu wadliwego, bez dodatkowych kosztów.

Gwarancja nie obejmuje urządzeń uszkodzonych na skutek niewłaściwego użytkowania, modyfikacji, upadków, nie autoryzowanych prób naprawy.

### WYŁĄCZENIE ZA SZKODY WTÓRNE I PRZYPADKOWE:

Użytkownik urządzeń Maxspect nie ma prawa roszczyć żądań odszkodowania za szkody pośrednie i bezpośrednio, bez jakichkolwiek ograniczeń, wynikające z: osobistych niedogodności, uszkodzenia mienia osobistego, urządzeń telefonicznych, strat materialnych, itp. Niniejsza gwarancja obejmuje określone prawa konsumenta.

**MAXSPECT LTD. NIE GWARANTUJE, A JEDNOCZESNIE NIE DEKLARUJE, POŚREDNIO I BEZPOŚREDNIO, W ODNIESIENIU DO JAKOŚCI PRODUKTÓW: WYDAJNOŚCI PRODUKTU, PRZYDATNOŚCI DO CELÓW INNYCH NIŻ WSKAZANY. W REZULTACIE PRODUKT TEN, SPRZEDAWANY W OBECNEJ POSTACI, PODDANY JEST CAŁKOWITEMU RYZYKU NABYWCY ZWIĄZANEMU Z JEGO JAKOŚCIĄ I WYDAJNOŚCIĄ.**

**W ŻADNYM WYPADKU MAXSPECT LTD. NIE MOŻE ZOSTAĆ POCIĄGNIĘTY DO ODPOWIEDZIALNOŚCI ZA SZKODY POŚREDNIE I BEZPOŚREDNIE, SPECYFICZNE I WYPADKOWE, WYNIKAJĄCE Z JAKIEGOKOLWIEK PROBLEMU ZWIĄZANEGO Z PRODUKTEM BĄDŹ JEGO DOKUMENTACJĄ.**

Gwarancja oraz wyżej wymienione zasady zastępują wszelkie inne, wyrażone ustnie i pisemnie, wyraźnie bądź w sposób domniemany. W żadnym wypadku sprzedawca, agent, pracownik, itp. nie jest uprawniony do naniesienia jakichkolwiek poprawek, modyfikacji, poszerzeń i dodatków do niniejszej gwarancji.

Nie wszystkie kraje przewidują wyłączenie bądź ograniczenie odpowiedzialności za szkody wypadkowe i wtórne, w związku z czym niniejsze zasady gwarancji mogą nie mieć zastosowania w Państwa wypadku.

**Uwaga:** Najnowsze specyfikacje Aeraqua Duo Protein Skimmer można znaleźć na stronie: [www.maxspect.com](http://www.maxspect.com)



## Utente memo

***Gentile Cliente,***

Grazie e complimenti per aver acquistato il nostro prodotto .

Per ottimizzare prestazioni e sicurezza, vi preghiamo di leggere attentamente le istruzioni.

### **User Memo:**

Data di acquisto:	_____
Rivenditore:	_____
Indirizzo del rivenditore:	_____ _____
Sito web del rivenditore:	_____
E-mail del rivenditore:	_____
Telefono del rivenditore:	_____

**Puoi seguirci su facebook e twitter!**



<https://www.facebook.com/Maxspect>

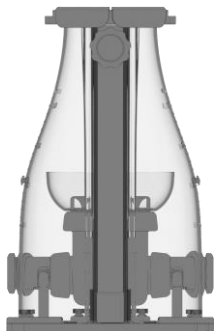


<http://twitter.com/maxspectled>

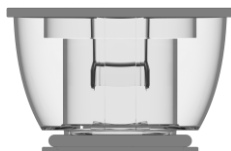
**IT**

## Contenuto Scatola

Per favore verifica il contenuto della scatola.



x1



x1



x1



x1



x1



x1



x4



Pezzi di ricambio

x2

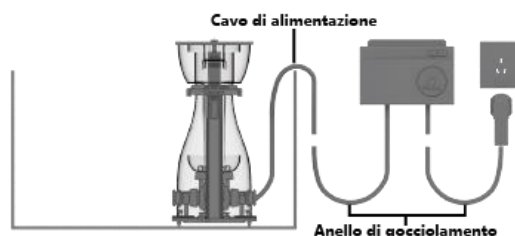


## Precauzioni

Prima di utilizzare il a **Maxspect™ Aeraqua Duo Protein Skimmer** hiamo di leggere attentamente le istruzioni. Far particolare attenzione e seguire i suggerimenti di sicurezza elencati di seguito. Successivamente tenere questo manuale a portata di mano per riferimento futuri.

### LEGGERE E SEGUIRE TUTTE LE ISTRUZIONI DI SICUREZZA

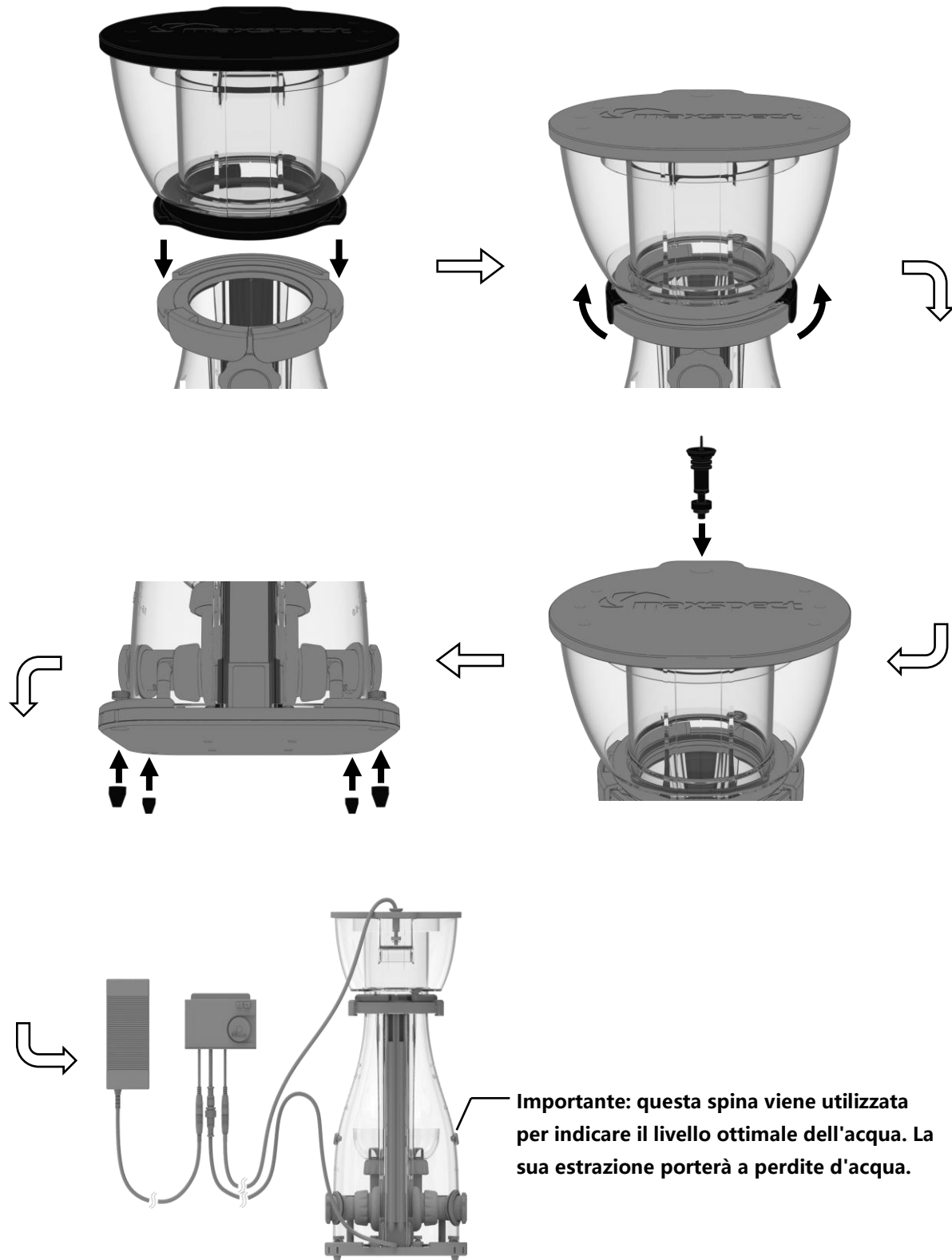
1. **PERICOLO** - Per evitare possibili scosse elettriche, occorre prestare particolare attenzione in quanto l'acqua viene utilizzata nell'uso dell'acquario. Per ciascuna delle seguenti situazioni, non tentare di riparare da soli; Rimettere l'apparecchio ad un servizio di assistenza autorizzato per il servizio o scartare l'apparecchio.
  - a) Se l'apparecchio presenta segni di perdite d'acqua anomale, scollegarlo immediatamente dalla fonte di alimentazione.
  - b) Esaminare attentamente l'apparecchio dopo l'installazione. Non deve essere collegato se c'è acqua su parti non destinate ad essere bagnate.
  - c) Non utilizzare alcuna apparecchiatura se presenta un cavo o una spina danneggiati o se è malfunzionante o è stata scaricata o danneggiata in qualsiasi modo.
  - d) Per evitare che la spina o il recipiente dell'apparecchio venga bagnato, posizionare il basamento dell'acquario e il serbatoio su un lato di una presa a parete per evitare che l'acqua sgocciolasse sul recipiente o sulla spina. Un "anello di gocciolamento" indicato in figura deve essere disposto dall'utente per ciascun cavo che collega un'apparecchiatura ad acquario ad un recipiente. Il "gocciolatoio" è quella parte del cavo sotto il livello del contenitore o il connettore se viene utilizzato un cavo di prolunga, per evitare che l'acqua attraversa il cavo e venga a contatto con il recipiente. Se la spina o la presa si bagnano, non scollegare il cavo. Scollegare il fusibile o l'interruttore che alimenta l'apparecchio. Scollegare ed esaminare la presenza di acqua nel recipiente.



2. È necessaria una stretta supervisione quando un apparecchio viene utilizzato da o vicino ai bambini
3. Per evitare infortuni, non rivolgersi a parti in movimento o parti calde come riscaldatori, riflettori, lampadine e simili.
4. Scollegare sempre l'apparecchio da una presa quando non è in uso, prima di mettere o togliere parti e prima di pulire. Non attaccare mai il cavo per tirare la spina dalla presa. Afferrare la spina e tirare per scollegare.
5. Non utilizzare un apparecchio diverso da quello previsto. L'uso di accessori non raccomandati o venduti dal produttore dell'apparecchio può causare una condizione di pericolo
6. Non installare o conservare le apparecchiature in cui sarà esposto al tempo oa temperature sotto il congelamento.
7. Assicurarsi che un apparecchio montato su un serbatoio sia installato correttamente prima di utilizzarlo.
8. Leggere e osservare tutte le notizie importanti sull'apparecchio.
9. Se è necessario un cavo di prolunga, utilizzare un cavo con un valore adeguato. Un cavo valutato per meno di amper o watt che il valore dell'apparecchio potrebbe surriscaldarsi.

## Installazione

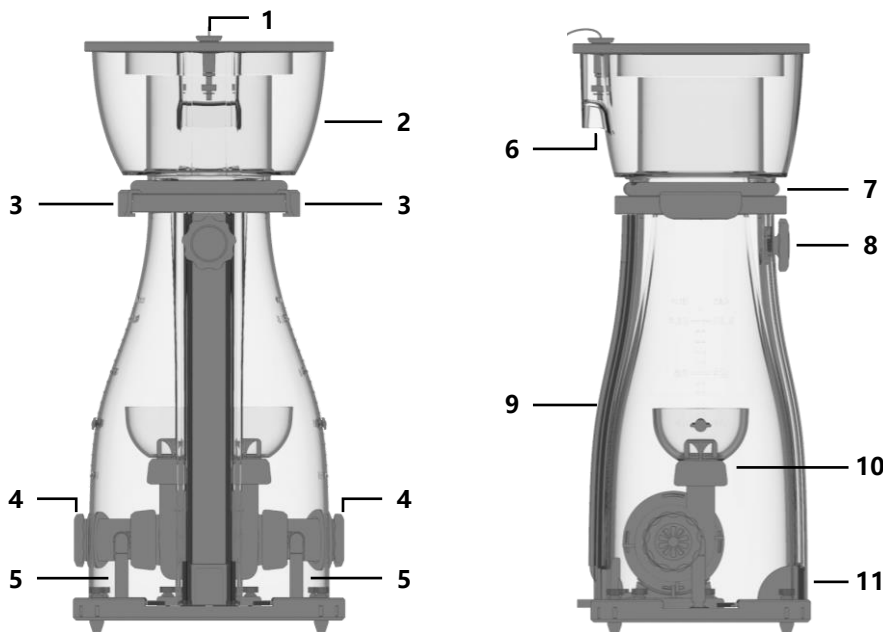
Rimuovere tutti i materiali di imballaggio prima del montaggio.



## Anteprima

Maxspect™ Aeraqua Duo Protein Skimmer è diverso dalla maggior parte dei prodotti simili venduti sul mercato, è un nuovissimo design caratterizzato da diversi vantaggi.

- **Doppio ingresso dell'acqua:** Aeraqua Duo presenta due ingressi dell'acqua (4) che consentono allo schiumatoio di aspirare l'acqua da entrambi i lati dello schiumatoio. Gli ingressi, completamente chiusi da entrambi i lati, consentono di aspirare l'acqua dall'interno dello schiumatoio. Questo rende migliore la filtrazione dell'acqua per l'acquario.
- **Doppia girante ad aghi:** ciascuna presa d'acqua è dotata di doppia girante ad aghi. Una girevole mentre l'altra è statica. Questo design unico rende le bolle generate ancora più piccole e di maggiore densità rispetto alla maggior parte degli skimmer tradizionali che utilizzano la tecnologia ad aghi.
- **Altamente integrato:** Aeraqua Duo è uno schiumatoio altamente integrato con sia il regolatore del livello dell'acqua (8) sia il tubo dell'aria (9) integrati nel corpo dello skimmer. Ciò consente di risparmiare più spazio nella sump ed è più conveniente per la manutenzione.
- **Sensore di livello dell'acqua:** Aeraqua Duo è dotato di un sensore (1) in grado di rilevare il livello dell'acqua del bicchiere di raccolta e inviare un segnale di allarme quando necessario.



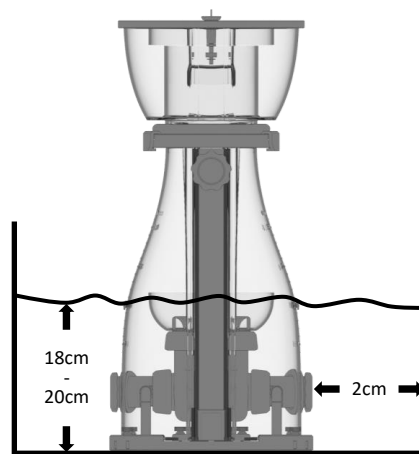
- |                                  |   |
|----------------------------------|---|
| 1. Sensore di livello dell'acqua | 7. Tubo di scarico                                |
| 2. Bicchiere di raccolta         | 8. Regolatore del livello dell'acqua              |
| 3. Rilascio rapido               | 9. Tubo dell'aria                                 |
| 4. Doppio ingresso dell'acqua    | 10. Dual Bubble Outlets Doppia uscita delle bolle |
| 5. Tubo dell'aria                | 11. Uscita dell' acqua                            |
| 6. Maniglia del bicchiere        |   |

## Posizionamento e messa in funzione

### Posizionamento

Per posizionare lo schiumatoio Aeraqua Duo in un posto adeguato ci sono alcune regole da seguire:

- Prima di mettere lo schiumatoio nella sump si consiglia di pulirlo con acqua dolce.
- Posizionare lo schiumatoio in un compartimento della sump dove il livello dell'acqua è di altezza costante. Potrebbe essere necessario un sistema di rabbocco automatico per mantenere il livello dell'acqua.
- Posizionare lo schiumatoio in un luogo privo di detriti, ghiaia, sabbia, conchiglie e piccoli oggetti.
- Il livello ottimale dell'acqua dello schiumatoio è compreso tra 18-20 cm / 7,1 "-7,9".



- Ogni lato dell'ingresso dell'acqua richiede almeno 2 cm / 1 pollice di spazio.
- Lo scarico dell'acqua richiede almeno 2 cm / 1 pollice di spazio.
- Solo per uso interno.

### La messa in

Dopo aver posizionato lo schiumatoio nella posizione corretta è pronto per essere messo in funzione. Tuttavia, prima che lo schiumatoio possa funzionare in modo ottimale, è necessario un periodo di rodaggio che può durare da pochi minuti a giorni. Dipende da molti fattori come: residui di adesivo, grassi o altre impurità simili lasciate nello schiumatoio, agenti chimici, alimentazione, tensione superficiale dell'acqua ecc. Ci sono tre modi a scelta per accordare lo schiumatoio.

- **Controller:** è possibile regolare la velocità di lavoro della pompa impostando il parametro attraverso il controller.
- **Ingressi dell'acqua:** entrambe le prese dell'acqua sono girevoli. Per ciascuna di esse puoi:
  1. Regolare il volume dell'acqua aspirata dall'esterno dello schiumatoio.
  2. Aspirare l'acqua dall'interno e dall'esterno dello schiumatoio.
  3. Aspirare solo l'acqua dall'interno dello schiumatoio.
- **Uscita dell'acqua:** è possibile controllare il volume dell'acqua che fuoriesce dallo schiumatoio ruotando il regolatore del livello dell'acqua (8).

La risposta a qualsiasi variazione di regolazione è ritardata nel tempo. Per informazioni dettagliate, consultare la sezione " Istruzione operativa ".

# Istruzione Operativa

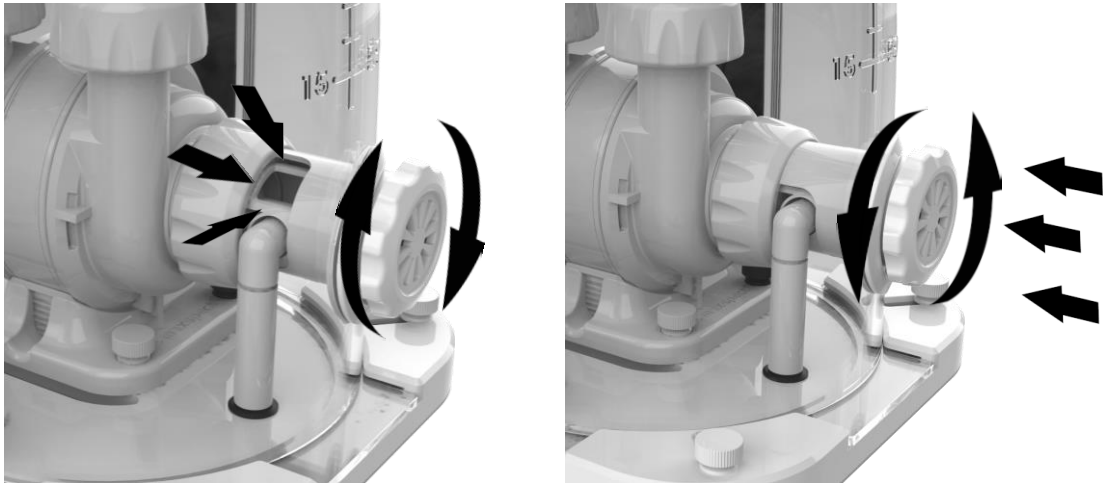
Lo schiumatoio Aeraqua Duo offre tre diversi modi per regolare le prestazioni di schiuzione.

## 1. Ingresso Dell'acqua

Il design unico di Aeraqua Duo ti consente di scegliere il modo di aspirare l'acqua nello schiumatoio ruotando gli ingressi dell'acqua.

Ad esempio, se c'è una certa quantità di pesci e coralli.

- 1) Per un acquario da 400-750L / 100-200 galloni, se il carico organico è alto si consiglia di aprire una delle aspirazioni dell'acqua a 80% per trarre l'acqua dall'esterno dello schiumatoio, mentre l'altra aspirazione si deve chiudere completamente per creare il ricircolo interno.
- 2) Per un acquario da 750-1,250L / 200-325 galloni, se il carico organico è di media portata, si consiglia di aprire completamente una delle aspirazioni dell'acqua per attingere l'acqua dall'esterno dello schiumatoio, mentre l'altra aspirazione rimarrà aperta al 30-50% per l'attingere acqua dall'interno e dall'esterno dello schiumatoio.
- 3) Per un acquario da 1.250-1.700 litri / 325-450 galloni, se il carico organico è basso, si consiglia di aprire completamente entrambe le aspirazioni dell'acqua per attingere l'acqua dall'esterno dello schiumatoio.



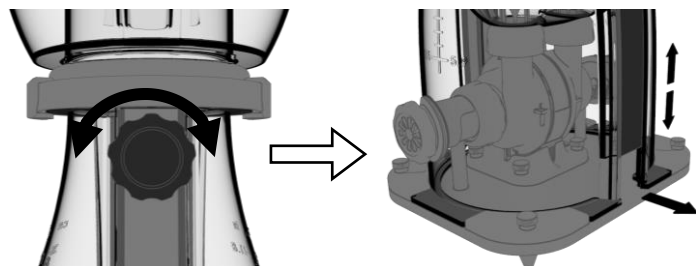
Tuttavia il suggerimento di cui sopra è solo una guida generale che aiuta a spiegare l'uso delle prese dell'acqua. La scelta più adatta per il tuo acquario potrà essere decisa solo dopo aver attentamente osservato ed effettuato la messa a punto dello schiumatoio.

**IMPORTANTE: NON CHIUDERE COMPLETAMENTE ENTRAMBI ENTRAMBI INGRESSI DELL'ACQUA CONTEMPORANEAMENTE.**

IT

## 2. Uscita dell' acqua

È possibile controllare il livello dell'acqua ruotando il regolatore del livello dell'acqua.



## 3. Controllore

### Introduzione dell'unità di controllo

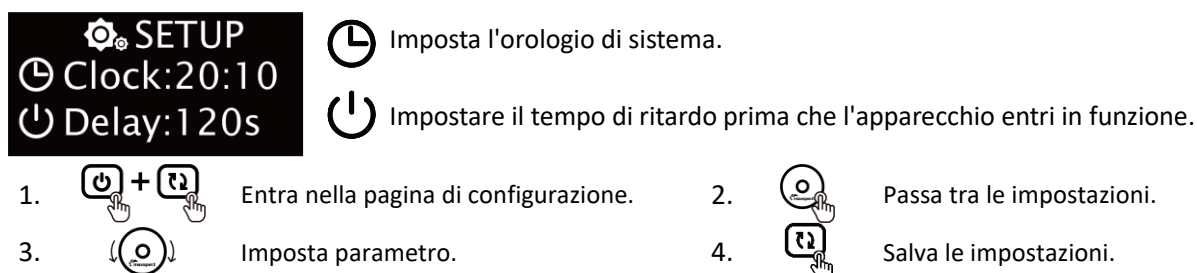


### Interruttore ON/OFF della Schiumatoio

Premere e tenere premuto il pulsante ON / OFF per 4s per accendere o spegnere l'apparecchio. Mentre l'apparecchio viene spento, la pompa si arresta, gli indicatori e lo schermo OLED del controllore si spengono. Tuttavia, se l'apparecchio è collegato ad un ICV6 (venduto a parte), può ancora restare attivato dall'applicazione Syna-G.

### Inizializza la Schiumatoio

Prima di utilizzare l'apparecchio, è necessario impostare alcune impostazioni di base per il vostro Schiumatoio.



**Nota:** il tempo di ritardo consente di impostare una durata per l'apparecchio, quando l'apparecchio è collegato all'alimentazione, smetterà di funzionare per un periodo di tempo e quindi inizierà a funzionare. Ciò è utile soprattutto quando l'apparecchio viene ripristinato all'alimentazione dopo un'interruzione di corrente per evitare lo straripamento del bicchiere di raccolta. Impostazioni disponibili: OFF, 10s (predefinito), 30s, 60s, 120s, 180s, 300s.

### Configurazione del sistema

Per accedere alla pagina di configurazione del sistema, scollegare prima l'alimentatore della linea A dall'unità di controllo, quindi premere e tenere premuto la manopola di controllo, di seguito ricollegare l'alimentatore. Continuare a tenere premuta la manopola di controllo fino a quando la pagina di configurazione del sistema non viene visualizzata sul monitor OLED.



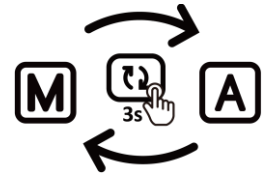
1. Aggiornamento o retrocessione del firmware del sistema.
2. Resetta le impostazioni dell'utente ripristina le impostazioni predefinite.
3. Questa operazione deve essere effettuata dall'utente solo a seguito della richiesta da parte del servizio clienti di effettuare determinati test sulla plafoniera.
4. Selezione del modello.
5. Riavvia il sistema al normale stato operativo.

# Istruzione Operativa

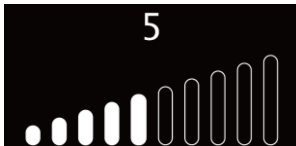
## Passa da una modalità all'altra

**Modalità automatica:** ci sono al massimo 8 punti temporali per impostare diverse velocità di lavoro che verranno riprese ogni 24 ore.

**Modalità manuale:** Impostare manualmente la velocità di lavoro della pompa.






## Modalità manuale



5 Attuale velocità di lavoro

 Indicatore di Livello


1.  Entra nella pagina di configurazione.
2.  Imposta parametro.
3.  Salva le impostazioni.





Nota: lasciare senza operazioni per 30s salverà anche l'impostazione.

## Modalità automatica



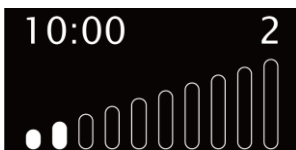
1 Punto temporale      09:00 Ora attuale






8 Attuale velocità di lavoro       Indicatore di Livello

1.  Entra nella pagina di configurazione.
2.  Passa tra le impostazioni.
3.  Imposta parametro.
4.  Salva le impostazioni.

Nota: lasciare senza operazioni per 30s salverà anche l'impostazione.

## Modalità di alimentazione



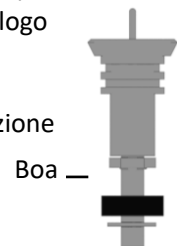
1.  Enter/Exit Modalità di alimentazione.
2.  Entra nella pagina di configurazione.
3.  Passa tra le impostazioni.
4.  Imposta parametro.
5.  Salva le impostazioni.

## Rilevamento di trabocco



**Allarme sovrappieno:** la pompa si spegne immediatamente quando la boa del sensore galleggia sull'acqua, sul display appare "FULL", il logo a LED lampeggia sul controller. Il sensore inizia a rilevare in intervalli di 10 secondi.

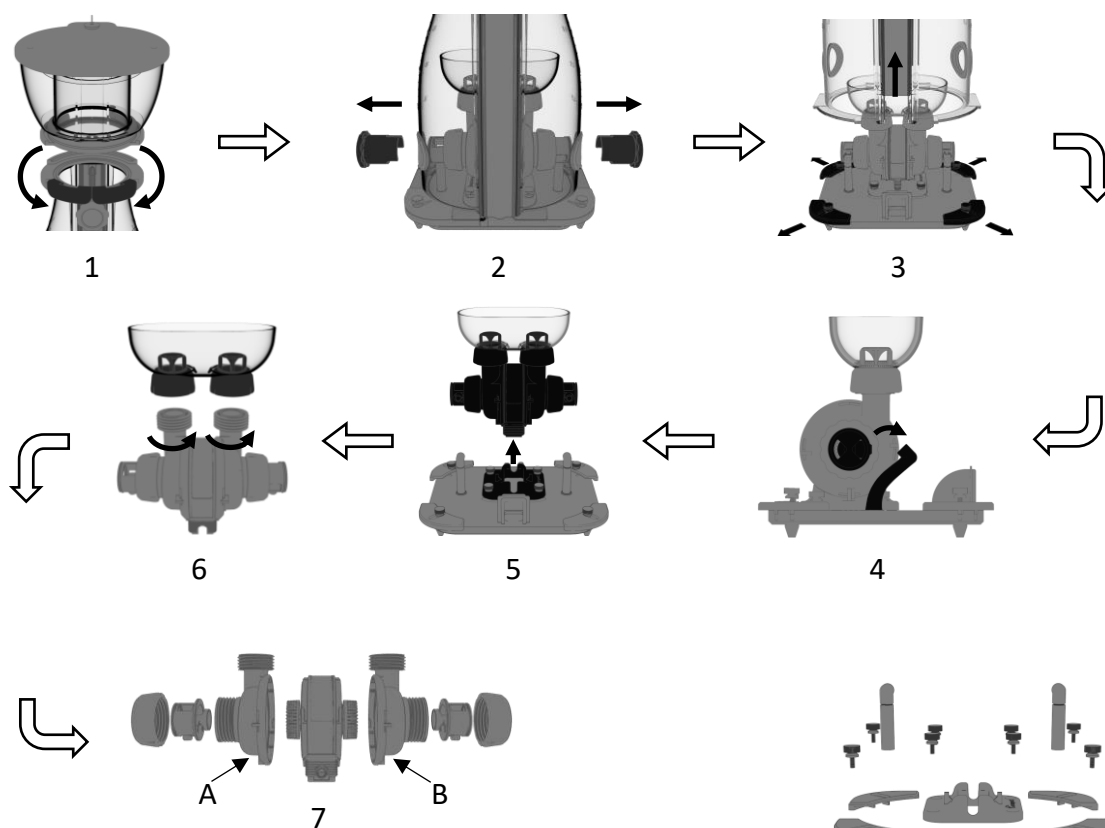
**Ritorno al funzionamento:** se la boa è tornata nella sua posizione normale, la pompa si ripristina allo stato di funzionamento precedente. La scritta "Full" scompare. Il logo a LED è costante.



IT

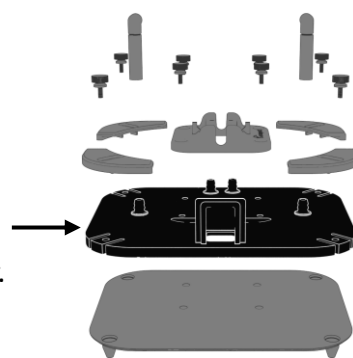
## Manutenzione dell'apparecchio

Lo schiumatoio Maxspect™ Aeraqua Duo può essere completamente smontato per la manutenzione, la pulizia e d assistenza. Questo viene fatto nell'ordine dei passaggi descritti di seguito. A causa delle condizioni difficili in un acquario marino e del conseguente accumulo di alghe e altre sostanze organiche è consigliabile pulire la pompa per garantire la longevità dell'apparecchio. Maxspect consiglia di eseguire una pulizia ogni 6 mesi o a seconda della necessità. Se c'è accumulo di calcio potrebbe essere necessario immergere le parti interessate in una soluzione di acido "gentile" come l'aceto. **NON** usare acidi forti perché potrebbero danneggiare i componenti. Dopo la pulizia rimontare l'apparecchio.



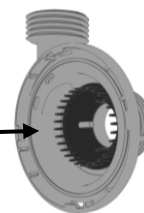
IT

1. Anche la base integrata con il silenziatore di aspirazione dell'aria deve essere pulita durante la pulizia dello skimmer.



2. **NON** smontare la girante ad aghi statica. (Rif. Step 7)

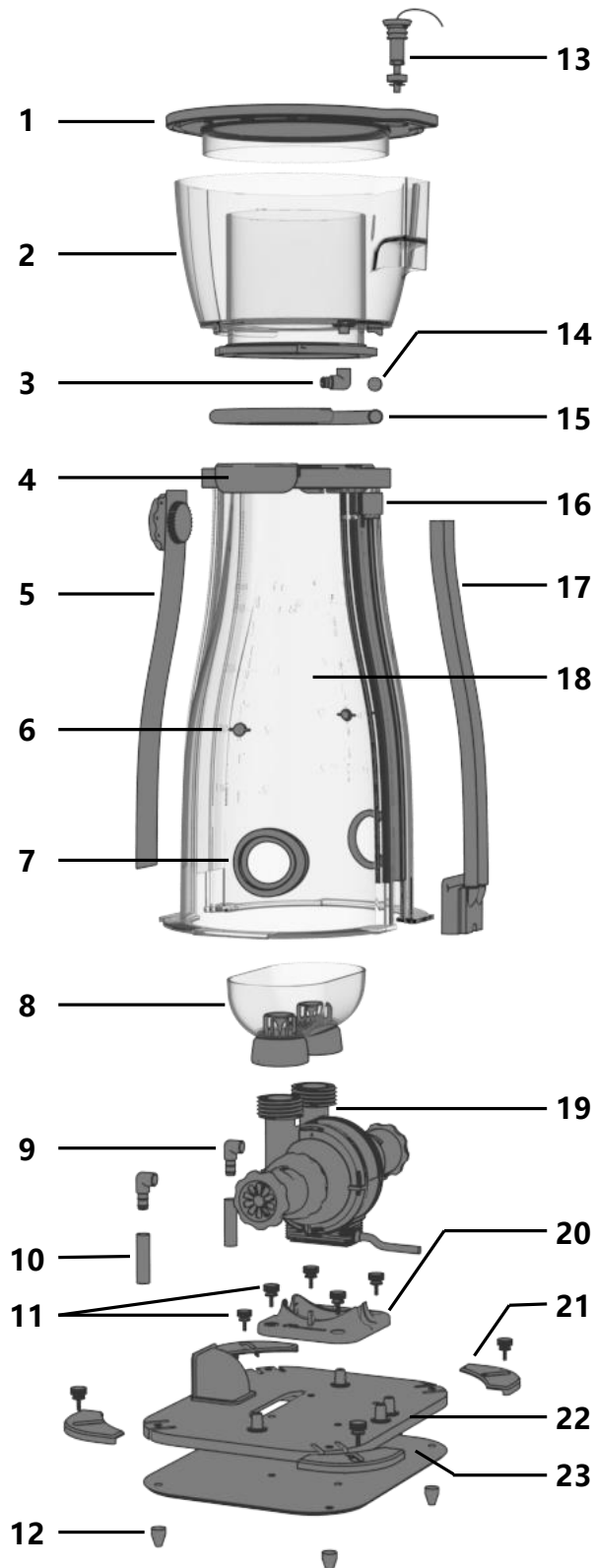
3. L'alloggio integrato con la girante ad aghi statica deve essere installato sul lato corretto quando si rimonta la pompa. (Rif. Passo 7)





## Pezzi di ricambio

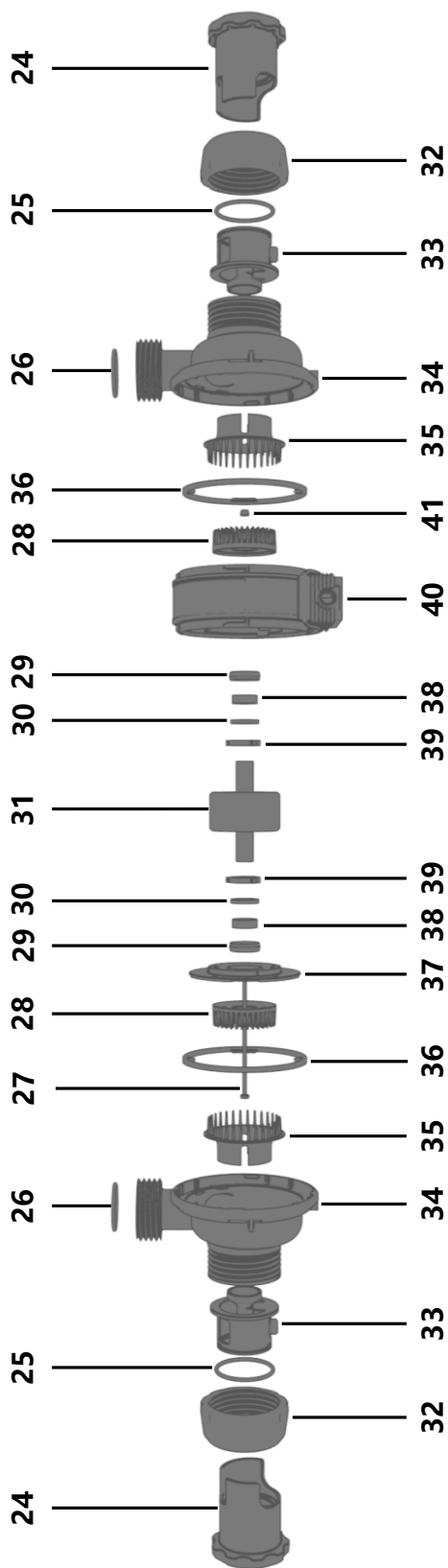
### Schiumatoio



No.	Nome	QTY
1	Coperchio del bicchiere	1
2	Bicchiere di raccolta	1
3/9	Connettore del tubo flessibile	3
4	Rilascio rapido	2
5	Regolatore del livello dell'acqua	1
6	Spina livello acqua ottimale	2
7	Guarnizione dell'ingresso dell'acqua	2
8	Contenitore delle bolle	1
10	Tubo dell'aria	2
11	Vite della base della pompa / schiumatoio	8
12	Piedini	4
13	Sensore di sovrappieno	1
14	Tappo del tubo di scarico	1
15	Tubo di scarico	1
16	Connettore di aspirazione dell'aria	1
17	Tubo dell'aria	1
18	Corpo dello schiumatoio	1
19	Corpo pompa	1
20	Base della pompa	1
21	Blocchi	4
22	Base dello schiumatoio	1
23	Piastra Posteriore	1

IT

## Pompa



No.	Nome	QTY	No.	Nome	QTY	No.	Nome	QTY
24	Regolatore di ingresso dell'acqua	2	30	Cuscinetto in ceramica	2	36	Guarnizione in silicone	2
25	Guarnizione in silicone	2	31	Rotore	1	37	Tappo del rotore	1
26	Guarnizione in silicone	2	32	Dado di ingresso dell'acqua	2	38	Cuscinetto	2
27	Vite in titanio	1	33	Miscelatore aria / acqua	2	39	Tampone in silicone	2
28	Girante ad aghi attiva	2	34	Alloggio della girante ad aghi	2	40	Statore	1
29	Tampone in silicone	2	35	Girante ad aghi statica (non removibile)	2	41	Dado in titanio	1

## Termini di garanzia

Maxspect (HongKong) Limited garantisce tutti i prodotti della Maxspect™, per un periodo di 12 mesi dalla data di acquisto. Se un difetto di produzione si presenta durante il periodo di garanzia, Maxspect Ltd. a sua discrezione, riparerà (usando componenti nuovi o ricostruiti) o sostituirà (con una nuova unità o rigenerate) il prodotto senza alcun costo.

LA GARANZIA NON SI APPLICA AL PRODOTTO SE È STATO DANNEGGIATO DA USO IMPROPRIO, ALTERAZIONE, INCIDENTE, USO O FUNZIONAMENTO IMPROPRIO, SE SONO EFFETTUATE RIPARAZIONI NON AUTORIZZATE.

### **ESCLUSIONE DEI DANNI INDIRETTI E ACCIDENTALI:**

L'utente dei prodotti della Maxspect Ltd. non ha diritto ad alcun risarcimento danni diretti o indiretti, senza limitazione, derivanti da: disagi, danni ai beni personali, telefoni, le perdite materiali ecc... Questa garanzia conferisce diritti legali specifici.

**MAXSPECT LTD. NON FORNISCE ALCUNA GARANZIA O DICHIARAZIONE, ESPlicita O IMPLICITa, RISPETTO ALLA QUALITÀ DEL PRODOTTO, PRESTAZIONI, COMMERCIALIZZABILITÀ O IDONEITÀ PER UNO SCOPO DIVERSO DA QUELLO INDICATO. DI CONSEGUENZA QUESTO PRODOTTO VIENE VENDUTO, COSÌ COME È E L'ACQUIRENTE SI ASSUME IL RISCHIO SULLA QUALITÀ E PRESTAZIONI.**

In nessun caso la MAXSPECT LTD potrà essere ritenuta responsabile per danni diretti, indiretti, speciali, incidentali o conseguenti derivanti da qualsiasi problema del prodotto o la documentazione.

La garanzia, ed i rimedi di cui sopra sono esclusivi e sostituiscono tutti gli altri, orali o scritti, espressi o impliciti. In nessun caso qualsiasi commerciante, agente, impiegato è autorizzato ad apportare modifiche, estensioni o aggiunte alla presente garanzia.

Alcuni stati non consentono l'esclusione o la limitazione delle garanzie implicite o la responsabilità per danni incidentali o consequenziali, pertanto la suddetta limitazione o esclusione potrebbe non applicarsi a Voi.

**Nota:** Per le ultime specifiche sugli skimmer per proteine Aeraqua Duo, visitare: [www.maxspect.com](http://www.maxspect.com)



**亲爱的客户,**

感谢您选购我司商品。

为确保您的安全及使用本产品时得到最佳的效果，请仔细阅读此使用手册。

**用户资料:**

购买日期: \_\_\_\_\_

经销商名称: \_\_\_\_\_

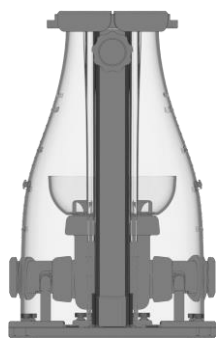
经销商地址: \_\_\_\_\_

经销商网页: \_\_\_\_\_

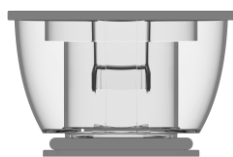
经销商电邮: \_\_\_\_\_

经销商电话: \_\_\_\_\_

请检查包装内物件是否齐全。



x1



x1



x1



x1



x1



x1



x4



备用件

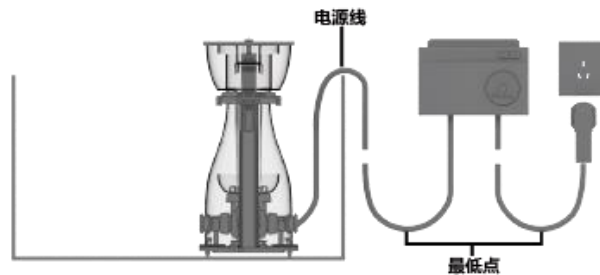
x2

## 注意事项

操作前，请仔细阅读本操作说明，并特别注意遵照下列安全建议。  
请保留本说明书以便日后查阅。

### 阅读并遵照以下所有安全说明：

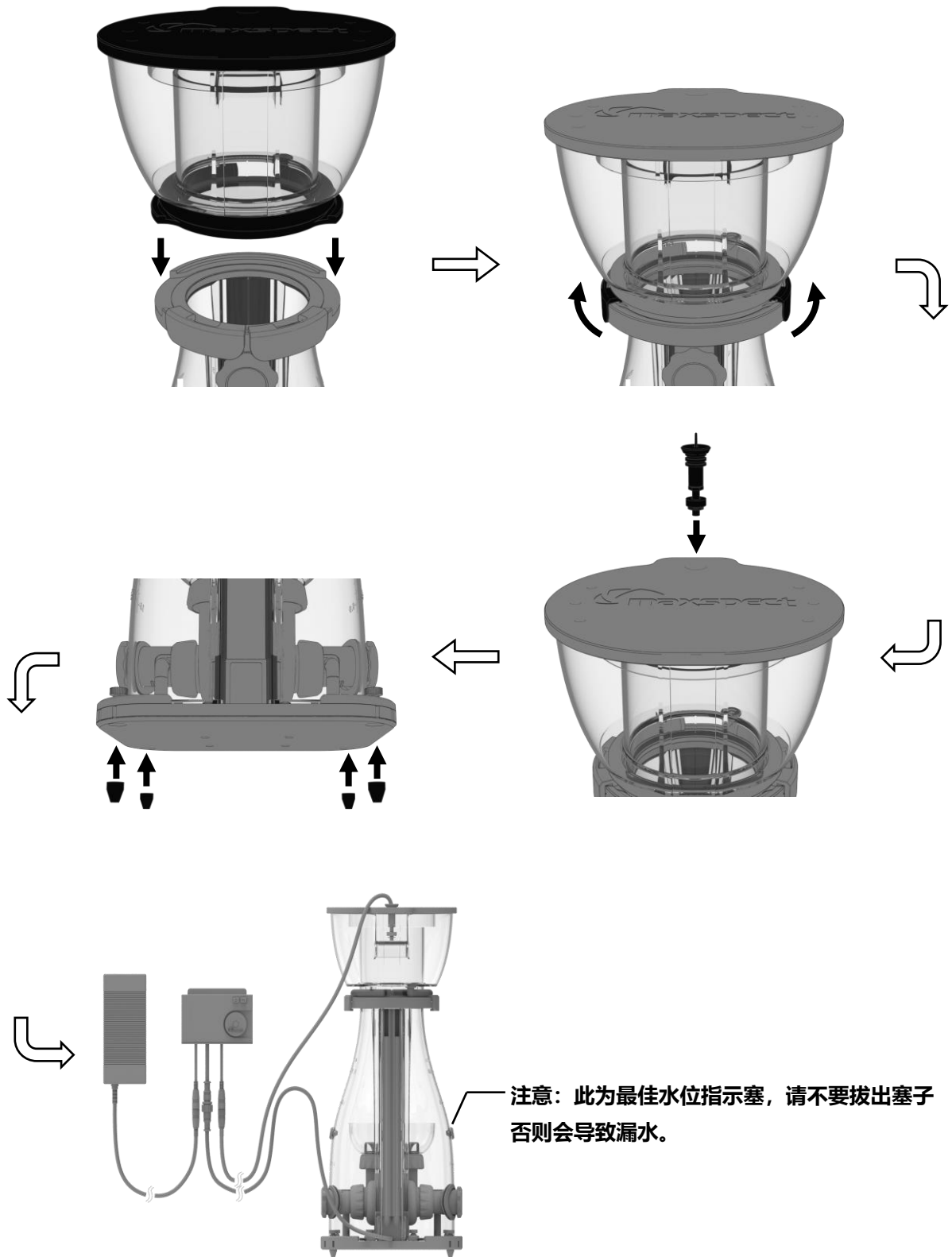
1. **危险**-为避免可能触电，在装有水的鱼缸内操作设备请格外小心。出现以下任一情况时，不要尝试自行维修，请交由授权服务提供商处理。
  - a) 如果设备出现任何不正常漏水的情况，请立即断开电源。
  - b) 安装后请仔细检查设备，如果设备中不应有水的部位被沾湿，请不要将设备接通电源。
  - c) 如果设备的电源线或插头受损，或因为误操作、跌落而造成损坏，请不要继续使用设备。
  - d) 为避免设备的插头或插座被水沾湿，应将鱼缸放置在墙上装有插座的旁边。并且所有从鱼缸连接至插座的电源线的最低位应该低于插座的高度。如果插座不慎被水沾湿，不要直接拔出插头，应先断开插座所在电路的电源或拔出保险丝，然后拔出插头清理积水。



2. 如果使用中的设备附近有儿童，或设备由儿童操作，请格外注意。
3. 为避免可能受伤，请不要触碰任何转动中的部件。
4. 以下情况须先拔出插头：不再使用、安装、拆除或清洁前，不要拉扯电源线，应抓紧插头将插头从插座中拔出。
5. 不要将设备用作其他用途。在设备上使用未经厂家出售或推荐的零件可能会导致不安全。
6. 不要将设备安装、放置在户外，或温度在零度以下的环境中。
7. 使用设备前请确保设备安装牢固。
8. 仔细阅读并遵守设备上的安全指引。
9. 如果必须使用电源线延长线，延长线的电流负载能力必须满足设备的需求。

# 安装指南

安装前请先拆除所有包装物料。



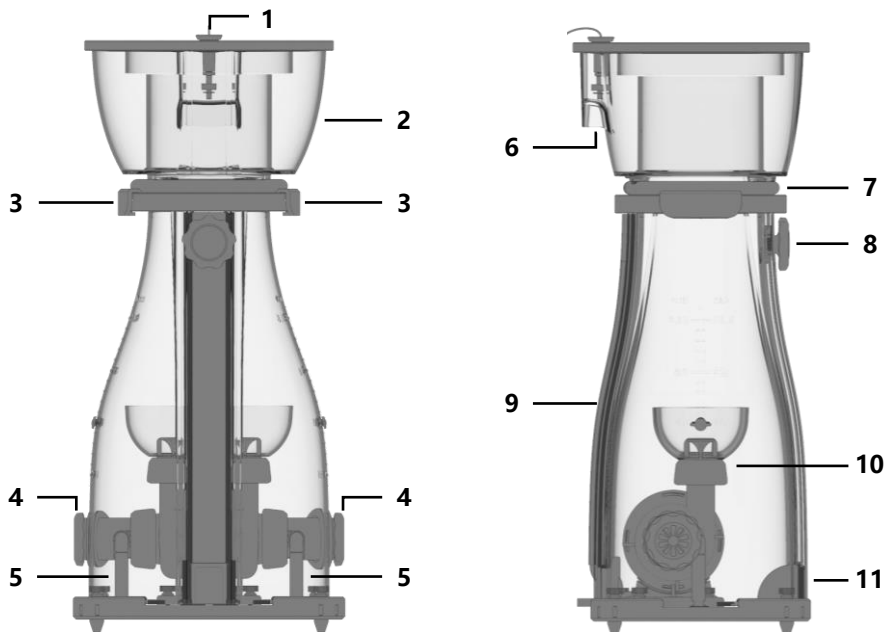
简中



## 概述

Maxspect™ 蛋白质分离器在产品结构与使用功能上与市面上的同类产品有着显著的区别，它是一款拥有独特设计，集成众多优点的产品。

- **双进水口：**Maxspect™ 蛋白质分离器集成了两个进水口(4)使它可以从蛋分的两侧吸水。关闭其中一个进水口可使它从蛋分内部吸水，使水体过滤更彻底。
- **双针刷：**每一侧进水口均配置了两个针刷(一个转动针刷，一个静止针刷)，这一独特的设计使得所产生的水泡尺寸更小，密度更高。
- **高集成度：**Maxspect™ 蛋白质分离器的水位调节器(8)和进气管(9)均集成到蛋分的瓶身身上，使得它在底缸里占用更少的空间，更便于维护。
- **防爆冲感应器：**Maxspect™ 蛋白质分离器配置了一枚防爆冲感应器(1)，它可以自动检测收集杯的水位并防止杯中的污水流出。

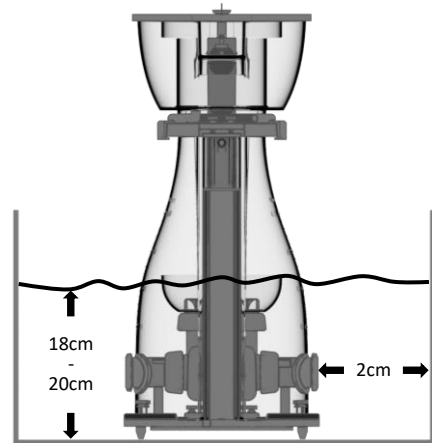


- |           |          |            |
|-----------|----------|------------|
| 1. 防爆冲感应器 | 5. 进气管   | 9. 进气管     |
| 2. 收集杯    | 6. 收集杯把手 | 10. 双水泡导流器 |
| 3. 收集杯锁扣  | 7. 排污管   | 11. 出水口    |
| 4. 双进水口   | 8. 水位调节器 |            |

### 放置

要将 Maxspect™ 蛋白质分离器放置在适当地方，需要遵守以下使用原则：

- 将蛋分放入底缸前建议先用清水冲洗干净。
- 将蛋分放在底缸水位高度恒定的地方。
- 蛋分所放地方必须没有砂砾、小石、贝壳或水草等可能会损坏水泵的杂物。
- 蛋分的最佳水位在 18-20 厘米之间。
- 每侧进水口与玻璃之间需保持至少 2 厘米的距离。
- 出水口与玻璃之间需保持至少 2 厘米的距离。
- 只能在室内使用。



### 调试

将 Maxspect™ 蛋白质分离器放置在适当地方后，便可以开始运行设备。但是要使它运行在最佳状态便需要一段时间的调试运行，时间可能持续从几分钟至几天，这取决于蛋分因生产留下的残留物，如胶水、油脂，水体中的化学物浓度、饲料残留，或水体的表面张力等因素。您可以通过以下三种方式来调节蛋分的运行。

- **控制器：**您可以通过标配的控制器来调节水泵的运行速度。
- **双进水口：**两侧的进水口均可以调节。对于每一侧进水口您可以：
  1. 减少从蛋分外部吸入的水量。
  2. 使进水口同时从蛋分内部和外部吸水。
  3. 使进水口只从蛋分内部吸水。
- **出水口：**您可以通过水位调节器来调节出水量。

任何调节所产生的效果均需要一段时间才能体现出来，具体的操控方式请参阅“操作指南”章节。

## 设备操作

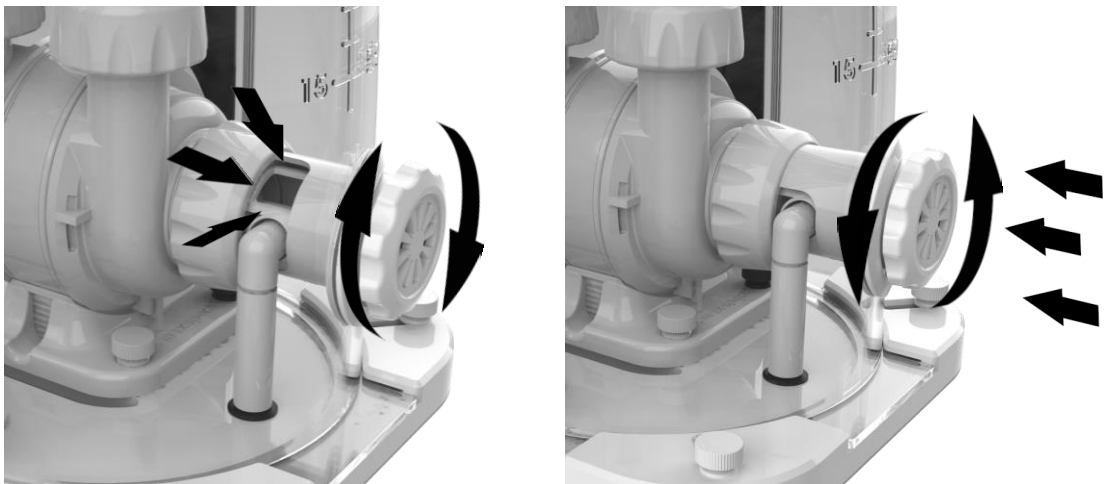
您可以通过以下三种方式来调节蛋分的运行性能。

### 1. 双进水口

Maxspect™ 蛋白质分离器的独特设计可以让您通过调节进水口来选择不同的吸水方式。

假设有一定数量的海鱼和珊瑚：

- 1) 如果对于一个水体在 400-750 升的鱼缸来说属于高密度的话，您可以完全关闭其中一个进水口使其从蛋分内部吸水，另外一个则可以打开约 80%使其从蛋分外部吸水。
- 2) 如果对于一个水体在 750-1,250 升的鱼缸来说属于中密度的话，您可以打开其中一个进水口 30-50%使其同时从蛋分内部和外部吸水，另一个则完全打开使其从蛋分外部吸水。
- 3) 如果对于一个水体在 1,250-1,700 升的鱼缸来说属于低密度的话，您可以完全打开两个进水口使其从蛋分外部吸水。

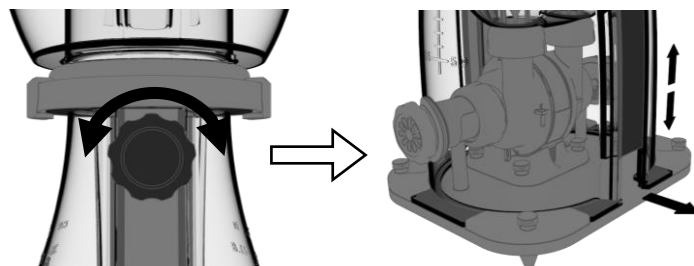


以上所有建议只是为了解释如何调节入水口而提供的一般指导原则，具体哪种吸水方式适合您的鱼缸需要通过不断的调试和耐心的观察才能得到证实。

**注意：**不要同时完全关闭两个进水口。

### 2. 出水口

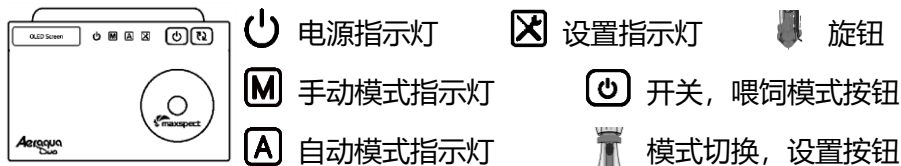
您可以通过水位调节器来调节蛋分的水位高度。



简中

## 3. 控制器

### 控制器介绍

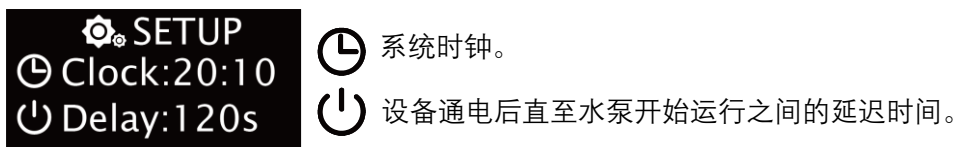






### 开、关设备

按住开关按钮超过 3 秒可以停止设备运行。当设备停止时, 泵体停止运转, 控制器显示屏和指示灯会熄灭。如果设备连接了 ICV6(另售), 可通过 Syna-G App 激活设备。

### 初始化设备

使用设备前, 需要对设备进行初始化设置。

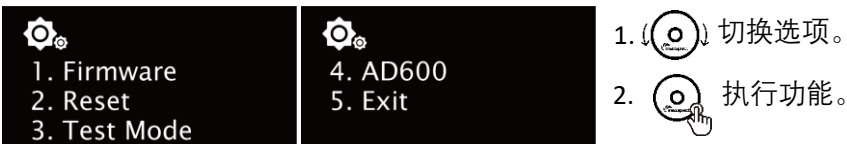


-  进入设置界面。
-  参数间切换。
-  设置参数。
-  保存设置。

**提示:** “Delay” 功能允许用户设置一个时间段, 当设备通电的一刻开始, 水泵会维持停止工作一段时间(用户所设置的时间段)然后再开始工作。该功能有助于防止因为设备断电恢复运行时, 由于底缸水位的上升可能导致的“爆冲”现象的出现。可设置值: OFF, 10 秒(默认值), 30 秒, 60 秒, 120 秒, 180 秒, 300 秒。

### 系统设定

系统设定包含一组基础功能供用户维护设备使用。要进入系统设定界面, 首先断开设备电源, 按住旋钮, 然后接通设备电源, 直到屏幕显示系统设定界面便可松开旋钮。



- 升级系统固件。
- 将用户设定还原为出厂设定。
- 用户应在经销商或售后服务人员的指导或授意下执行系统检测操作。
- 型号选择。
- 重启系统至正常工作状态。

## 工作模式切换

**手动工作模式：**手动设置设备的工作速度。


**自动工作模式：**最多可设置 8 组不同的工作速度，并能够 24 小时循环。






## 手动工作模式



5 当前工作速度。

 工作速度指示器。

-  进入设置界面。
-  设置参数。
-  保存设置。

提示：停止操作超过 30 秒也会保存设置。


## 自动工作模式







1 当前时段。

09:00 当前时间。

8 当前工作速度。

 工作速度指示器。


-  进入设置界面。
-  参数间切换。
-  设置参数。
-  保存设置。


提示：停止操作超过 30 秒也会保存设置。


## 喂饲模式



1.  进入/推出喂饲模式

2.  进入设置界面。

3.  参数间切换。

4.  设置参数。

5.  保存设置。

## 防爆冲侦测



**爆冲警报：**当感应器的浮标浮起时，水泵会即时停止工作，“FULL”字样会显示在屏幕上。控制器上的 Logo 灯会快速闪动。此时感应器开始每隔 10 秒钟侦测一次水位。

**恢复工作：**当浮标复位，水泵会恢复到停止前的工作状态。

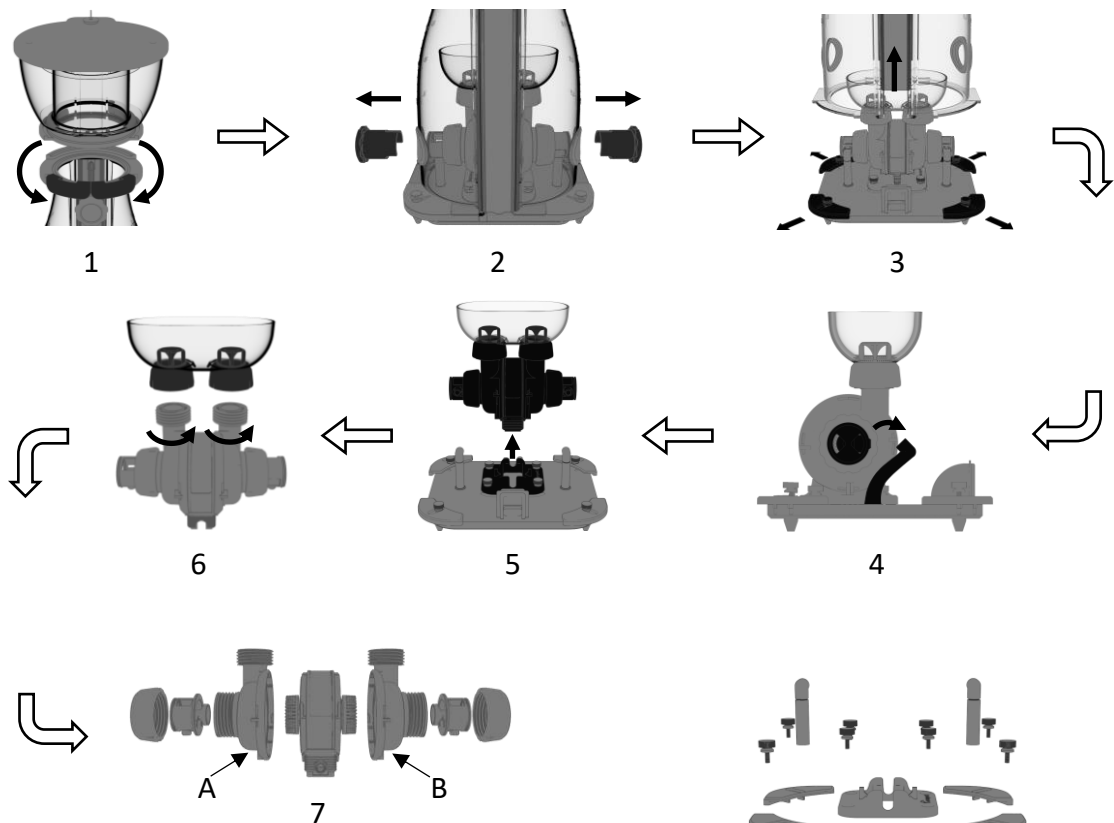
“FULL”字样消失，Logo 灯常亮。



简中

## 设备维护

Maxspect™蛋白质分离器可以完全拆解以便清洁维护。鉴于海水鱼缸的复杂环境，设备内部可能会生长出海藻或其他有机物。因此，我们建议您每 6 个月、或在需要的情况下清洁设备以确保其使用寿命。清洁时，如果泵体内部积聚了碳酸钙，可用醋等弱酸将其清除，不要使用强酸清洁设备，因为这很可能会损坏设备。清洁后请重新安装设备。

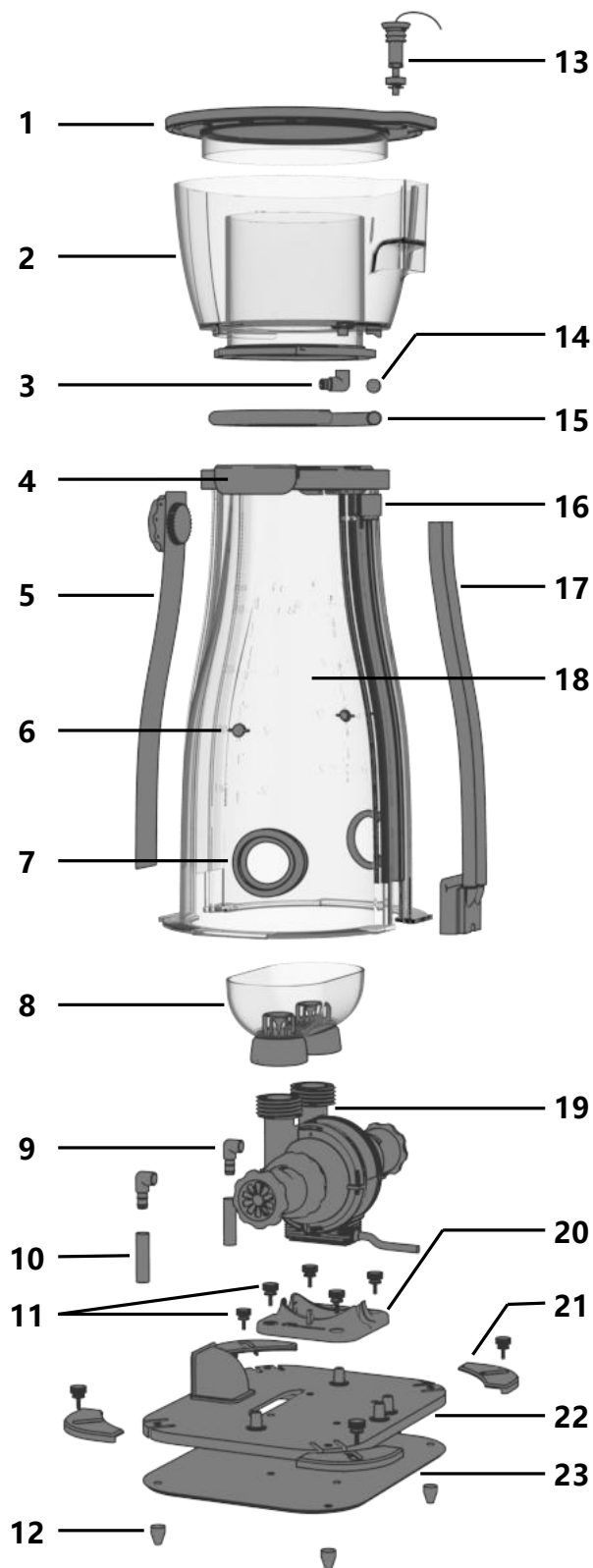


1. 清洁蛋白时，集成消声器的底座同样需要清洗。

2. 不要尝试拆卸泵罩内的固定针刷(参考步骤 7)。
3. 注意泵罩必须安装在正确的一侧(参考步骤 7)。

简中

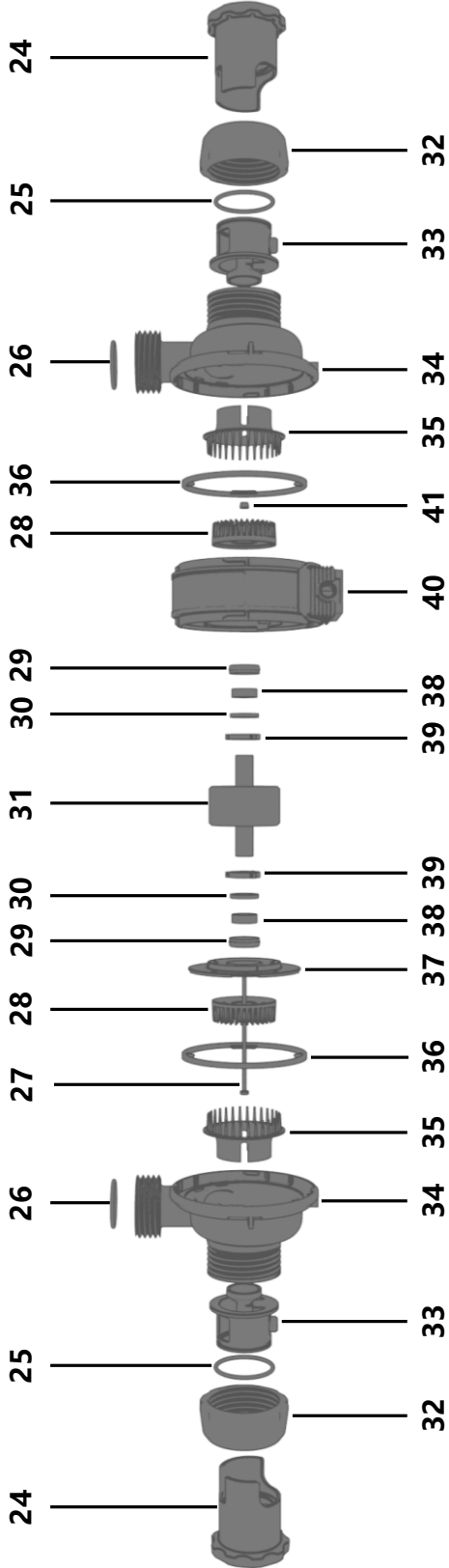
## 蛋白质分离器



序号	名称	数量
1	收集杯盖	1
2	收集杯	1
3/9	软管接头	3
4	收集杯锁扣	2
5	水位调节器	1
6	最佳水位指示塞	2
7	入水口密封圈	2
8	水泡导流器	1
10	进气管	2
11	水泵/蛋分底座螺丝	8
12	蛋分脚垫	4
13	防爆冲感应器	1
14	污水管塞子	1
15	污水管	1
16	进气口	1
17	进气管	1
18	蛋分瓶身	1
19	水泵	1
20	水泵底座	1
21	瓶身锁扣	4
22	蛋分底座	1
23	底盖	1

简中

## 水泵



序号	名称	数量	序号	名称	数量	序号	名称	数量
24	进水口调节器	2	30	陶瓷轴承	2	36	硅胶圈	2
25	硅胶圈	2	31	转子	1	37	转子盖	1
26	硅胶圈	2	32	进水口螺母	2	38	轴承	2
27	钛合金螺丝	1	33	水/气混合器	2	39	硅胶垫	2
28	转动针刷	2	34	泵罩	2	40	定子	1
29	硅胶垫	2	35	固定针刷(不可拆卸)	2	41	钛合金螺母	1



所有迈光品牌 (Maxspect) 产品自购买之日起 12 个月内若有质量问题, 可享有 Maxspect 公司的保修服务。若在保修期内出现质量问题, Maxspect 公司将免费维修或更换配件。

若产品由于误用, 被改装, 发生事故, 处理不当, 或使用不当而受到损坏, 或未经授权自行维修的, 则不在保修范围之内。不在保修范围的情况包括但不限于, 修改电路等被视为误用或滥用而损坏产品的行为。

#### **间接及附带损害免责声明:**

Maxspect 对您或其他使用者的间接或附带损害不承担责任。间接或附带损害包括但不限于, 使用产品造成的损失或不便, 对个人财产造成的损失, 如电话, 收入损失或盈利损失。本质保书赋予您合法权利, 在不同的地区您还可能享有其它权利。

除上面明确提出的内容外, Maxspect 公司对产品的质量, 性能, 适销性或特别用途的适用性均没有作出明示或暗示的担保或陈述。因此, 本产品“按现状”提供, 您作为购买者承担有关此产品的质量和性能的全部风险。

在任何情况下, Maxspect 公司均不对因本产品或其文件的缺陷而引起的直接的、间接的、特别的、附带的或结果性的损害承担责任。

上述质保书, 声明和故障排除方法是唯一版本, 没有其它口头的或书面的, 明示的或暗示的内容。在任何时候, Maxspect 公司的经销商, 代理商或雇员都无权对此质保书进行更改、扩展或补充。

由于某些地区不允许此类附带性或结果性损害的免责或有限责任, 上述限制可能不适用于您。

**提示：** 关于产品规格等详细信息，请浏览 Maxspect 官方网站：[www.maxspect.com](http://www.maxspect.com)



### **親愛的客戶,**

多謝您選購我司商品。

為確保您的安全及使用本產品時得到最佳的效果，請詳細閱讀此使用手冊。

### **用戶資料：**

購買日期： \_\_\_\_\_

經銷商名稱： \_\_\_\_\_

經銷商地址： \_\_\_\_\_

經銷商網頁： \_\_\_\_\_

經銷商電郵： \_\_\_\_\_

經銷商電話： \_\_\_\_\_

### **請在 facebook 及 twitter 上關注我們!**



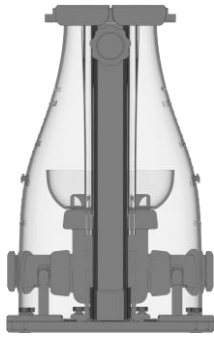
<https://www.facebook.com/Maxspect>



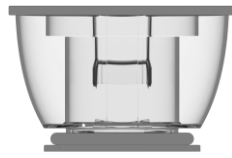
<http://twitter.com/maxspectled>

## 包裝內容

請檢查包裝內物件是否齊全。



x1



x1



x1



x1



x1



x1



x4



備用件

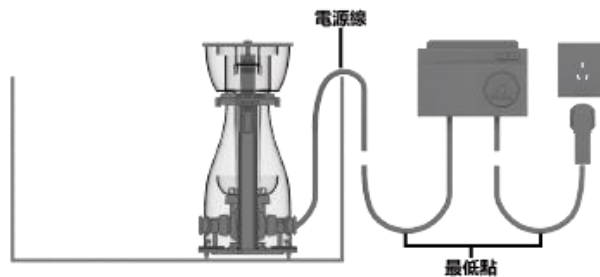
x2

## 注意事項

操作前，請仔細閱讀本操作說明，並特別注意遵照下列安全建議。  
請保留本說明書以便日後查閱。

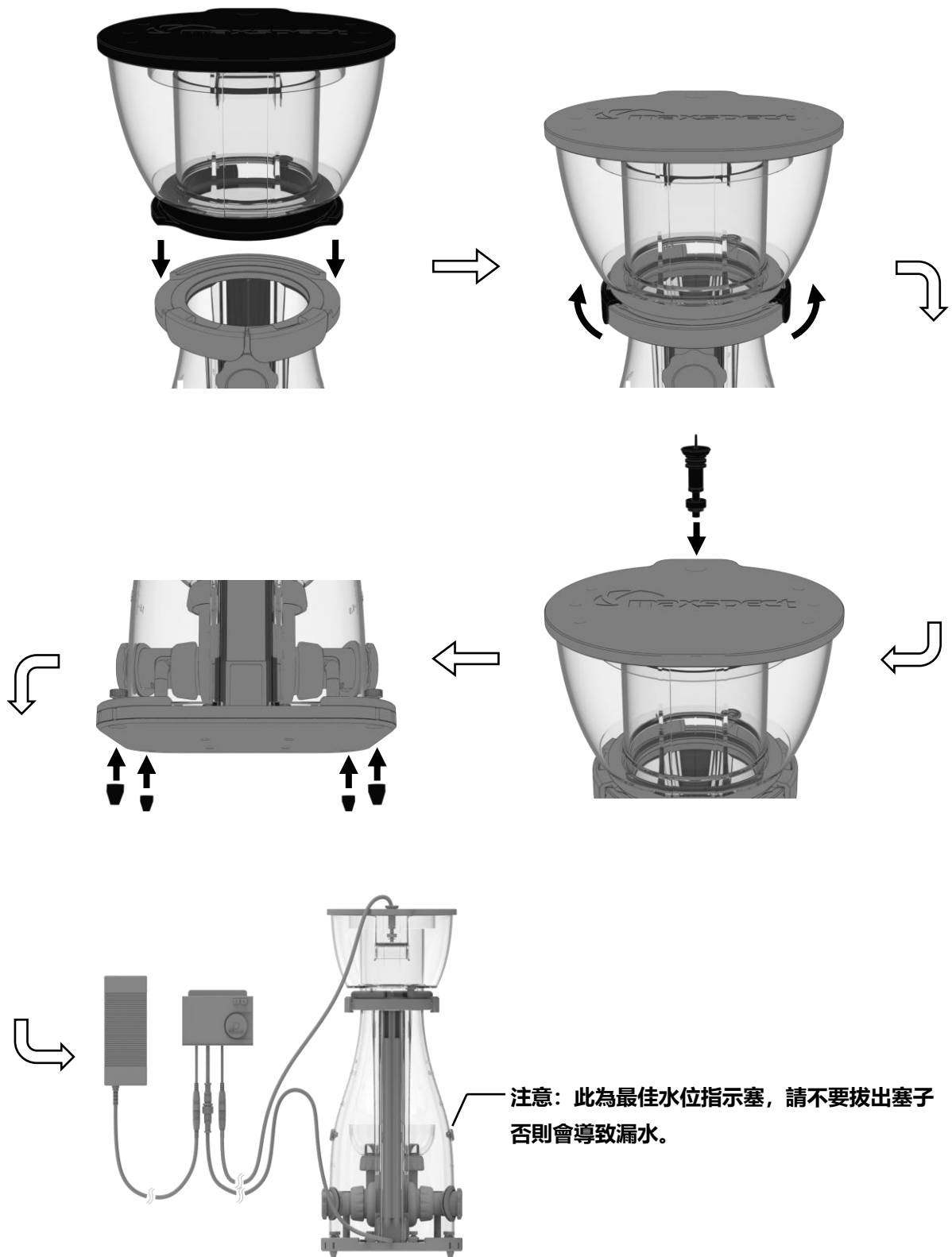
### 閱讀並遵照以下所有安全說明：

1. **危險**-為避免可能觸電，在裝有水的魚缸內操作設備請格外小心。出現以下任一情況時，不要嘗試自行維修，請交由授權服務提供者處理。
  - a) 如果設備出現任何不正常漏水的情況，請立即斷開電源。
  - b) 安裝後請仔細檢查設備，如果設備中不應有水的部位被沾濕，請不要將設備接通電源。
  - c) 如果設備的電源線或插頭受損，或因為誤操作、跌落而造成損壞，請不要繼續使用設備。
  - d) 為避免設備的插頭或插座被水沾濕，應將魚缸放置在牆上裝有插座的旁邊。並且所有從魚缸連接至插座的電源線的最低位元應該低於插座的高度。如果插座不慎被水沾濕，不要直接拔出插頭，應先斷開插座所在電路的電源或拔出保險絲，然後再拔出插頭清理積水。



2. 如果使用中的設備附近有兒童，或設備由兒童操作，請格外注意。
3. 為避免可能受傷，請不要觸碰任何轉動中的部件。
4. 以下情況須先拔出插頭：不再使用、安裝、拆除或清潔前，不要拉扯電源線，應抓緊插頭將插頭從插座中拔出。
5. 不要將設備用作其他用途。在設備上使用未經廠家出售或推薦的零件可能會導致不安全。
6. 不要將設備安裝、放置在戶外，或溫度在零度以下的環境中。
7. 使用設備前請確保設備安裝牢固。
8. 仔細閱讀並遵守設備上的安全指引。
9. 如果必須使用電源線延長線，延長線的電流負載能力必須滿足設備的需求。

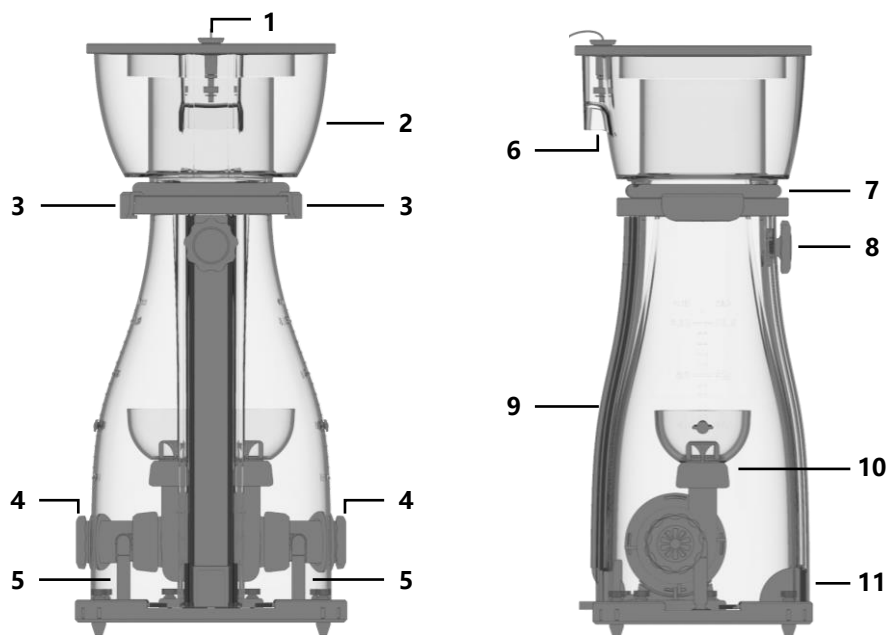
安裝前請先拆除所有包裝物料。



## 概述

Maxspect™ 蛋白質分離器在產品結構與使用功能上與市面上的同類產品有著顯著的區別，它是一款擁有獨特設計，集成眾多優點的產品。

- **雙進水口：**Maxspect™ 蛋白質分離器集成了兩個進水口(4)使它可以從蛋分的兩側吸水。關閉其中一個進水口可使它從蛋分內部吸水，使水體過濾更徹底。
- **雙針刷：**每一側進水口均配置了兩個針刷(一個轉動針刷，一個靜止針刷)，這一獨特的設計使得所產生的水泡尺寸更小，密度更高。
- **高集成度：**Maxspect™ 蛋白質分離器的水位調節器(8)和進氣管(9)均集成到蛋分的瓶身身上，使得它在底缸裡佔用更少的空間，更便於維護。
- **防爆沖感應器：**Maxspect™ 蛋白質分離器配置了一枚防爆沖感應器(1)，它可以自動檢測收集杯的水位並防止杯中的污水流出。

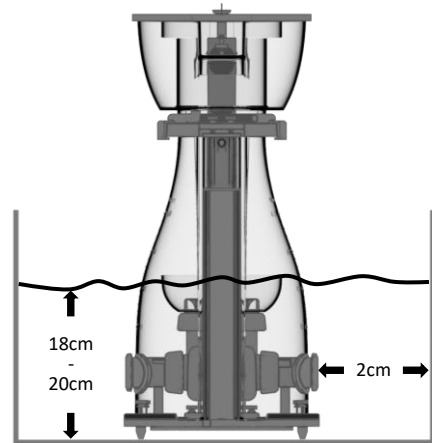


- |           |          |            |
|-----------|----------|------------|
| 1. 防爆沖感應器 | 5. 進氣管   | 9. 進氣管     |
| 2. 收集杯    | 6. 收集杯把手 | 10. 雙水泡導流器 |
| 3. 收集杯鎖扣  | 7. 排污管   | 11. 出水口    |
| 4. 雙進水口   | 8. 水位調節器 |            |

### 放置

要將 Maxspect™ 蛋白質分離器放置在適當地方，需要遵守以下使用原則：

- 將蛋分放入底缸前建議先用清水沖洗乾淨。
- 將蛋分放在底缸水位高度恒定的地方。
- 蛋分所放地方必須沒有砂礫、小石、貝殼或水草等可能會損壞水泵的雜物。
- 蛋分的最佳水位在 18-20 釐米之間。
- 每側進水口與玻璃之間需保持至少 2 釐米 (1 英寸) 的距離。
- 出水口與玻璃之間需保持至少 2 釐米 (1 英寸) 的距離。
- 只能在室內使用。



### 調試

將 Maxspect™ 蛋白質分離器放置在適當地方後，便可以開始運行設備。但是要使它運行在最佳狀態便需要一段時間的調試運行，時間可能持續從幾分鐘至幾天，這取決於蛋分因生產留下的殘留物，如膠水、油脂，水體中的化學物濃度、飼料殘留，或水體的表面張力等因素。您可以通過以下三種方式來調節蛋分的運行。

- **控制器：**您可以通過標配的控制器來調節水泵的運行速度。
- **雙進水口：**兩側的進水口均可以調節。對於每一側進水口你可以：
  1. 減少從蛋分外部吸入的水量。
  2. 使進水口同時從蛋分內部和外部吸水。
  3. 使進水口只從蛋分內部吸水。
- **出水口：**您可以通過水位調節器來調節出水量。

任何調節所產生的效果均需要一段時間才能體現出來，具體的操控方式請參閱“操作指南”章節。



## 設備操作

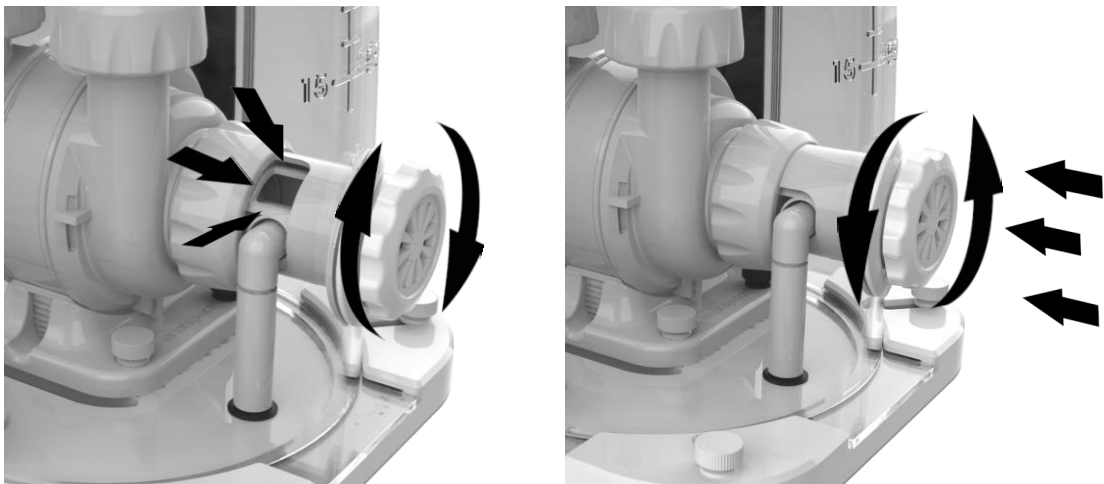
您可以通過以下三種方式來調節蛋分的運行性能。

### 1. 雙進水口

Maxspect™ 蛋白質分離器的獨特設計可以讓您通過調節進水口來選擇不同的吸水方式。

假設有一定數量的海魚和珊瑚：

- 1) 如果對於一個水體在 400-750 升的魚缸來說屬於高密度的話，您可以完全關閉其中一個進水口使其從蛋分內部吸水，另外一個則可以打開約 80%使其從蛋分外部吸水。
- 2) 如果對於一個水體在 750-1,250 升的魚缸來說屬於中密度的話，您可以打開其中一個進水口 30-50%使其同時從蛋分內部和外部吸水，另一個則完全打開使其從蛋分外部吸水。
- 3) 如果對於一個水體在 1,250-1,700 升的魚缸來說屬於低密度的話，您可以完全打開兩個進水口使其從蛋分外部吸水。

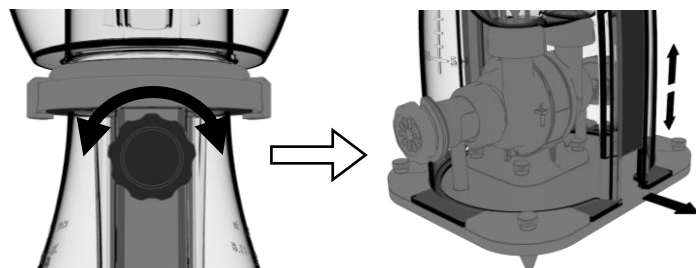


以上所有建議只是為了解釋如何調節入水口而提供的一般指導原則，具體哪種吸水方式適合您的魚缸需要通過不斷的調試和耐心的觀察才能得到證實。

**注意：**不要同時完全關閉兩個進水口。

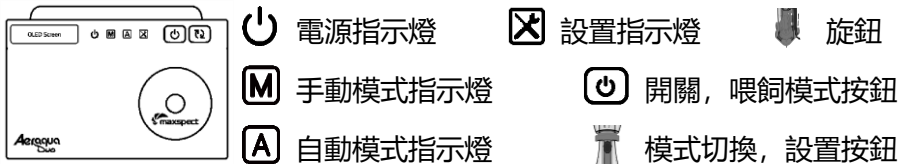
### 2. 出水口

您可以通過水位調節器來調節蛋分的水位高度。



## 3. 控制器

### 控制器介紹

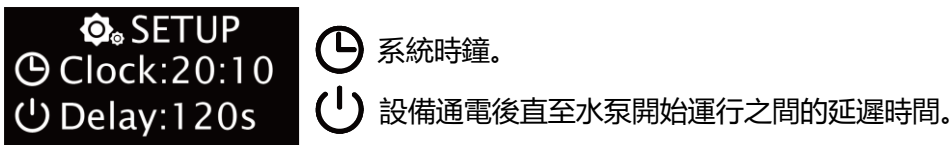






### 開、關設備

按住開關按鈕超過 3 秒可以停止設備運行。當設備停止時，泵體停止運轉，控制器顯示幕和指示燈會熄滅。如果設備連接了 ICV6(另售)，可通過 Syna-G App 啟動設備。

### 初始化設備

使用設備前，需要對設備進行初始化設置。

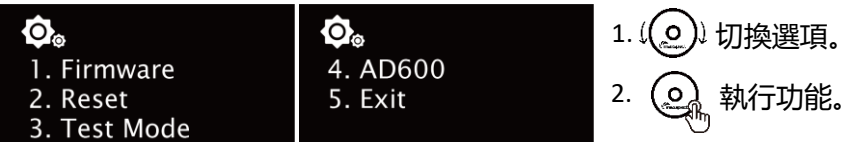


-  進入設置界面。
-  參數間切換。
-  設置參數。
-  保存設置。

**提示：**“Delay” 功能允許用戶設置一個時間段，當設備通電的一刻開始，水泵會維持停止工作一段時間(用戶所設置的時間段)然後再開始工作。該功能有助於防止因為設備斷電恢復運行時，由於底缸水位的上升可能導致的“爆沖”現象的出現。可設置值: OFF, 10 秒(預設值), 30 秒, 60 秒, 120 秒, 180 秒, 300 秒。

### 系統設定

系統設定包含一組基礎功能供使用者維護設備使用。要進入系統設定界面，首先斷開設備電源，按住旋鈕，然後接通設備電源，直到螢幕顯示系統設定界面便可鬆開旋鈕。

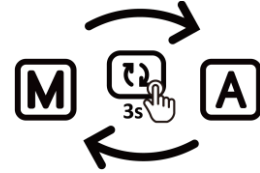


- 升級系統固件。
- 將用戶設定還原為出廠設定。
- 用戶應在經銷商或售後服務人員的指導或授意下執行系統檢測操作。
- 型號選擇。
- 重啟系統至正常工作狀態。

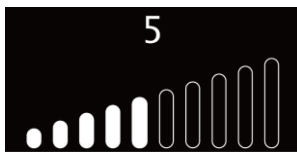
## 工作模式切换

**手动工作模式：**手动设置设备的工作速度。

**自动工作模式：**最多可设置 8 组不同的工作速度，并能够 24 小时循环。






## 手动工作模式



5 当前工作速度。

工作速度指示器。

1.  进入设置界面。
2.  设置参数。
3.  保存设置。

提示：停止操作超过 30 秒也会保存设置。

## 自动工作模式






1 当前时段。

09:00 当前时间。

8 当前工作速度。


工作速度指示器。

1.  进入设置界面。
2.  参数间切换。
3.  设置参数。
4.  保存设置。


提示：停止操作超过 30 秒也会保存设置。


## 喂饲模式




1.  进入、退出喂饲模式。

2.  进入设置界面。

3.  参数间切换。

4.  设置参数。

5.  保存设置。

## 防爆衝偵測

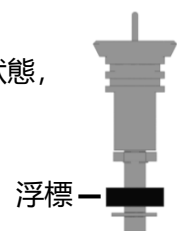


**爆冲警報：**當感應器的浮標浮起時，水泵會即時停止工作，

“FULL”字樣會顯示在螢幕上。控制器上的 Logo 燈會快速閃動。此時感應器開始每隔 10 秒鐘偵測一次水位。

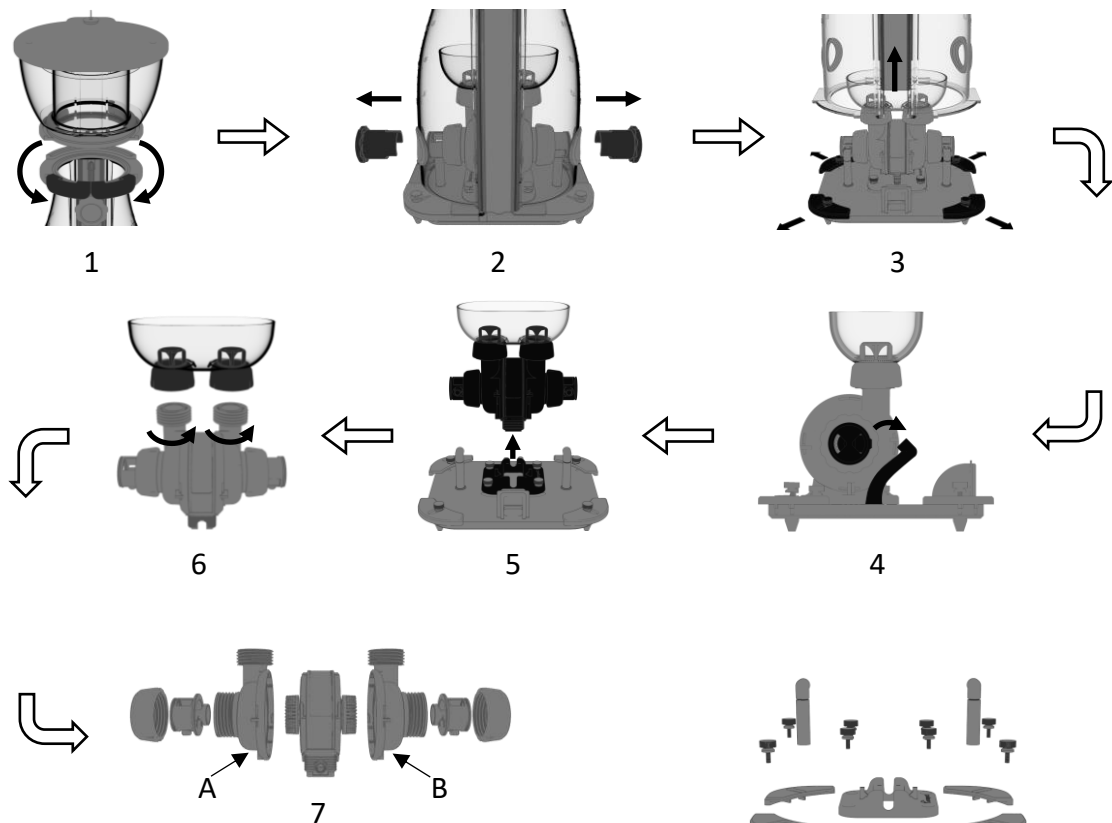
**恢復工作：**當浮標復位，水泵會恢復到停止前的工作狀態，

“FULL”字樣消失，Logo 燈常亮。



## 設備維護

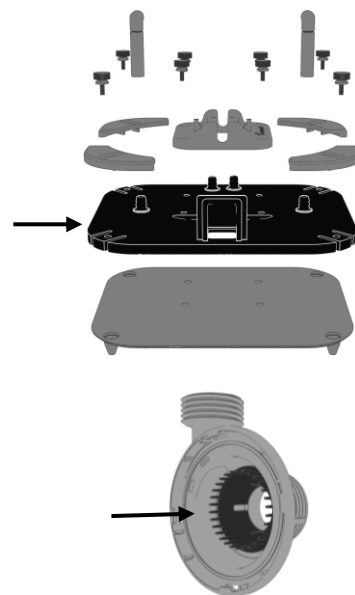
Maxspect™蛋白質分離器可以完全拆解以便清潔維護。鑒於海水魚缸的複雜環境，設備內部可能會生長出海藻或其他有機物。因此，我們建議您每 6 個月、或在需要的情況下清潔設備以確保其使用壽命。清潔時，如果泵體內部積聚了碳酸鈣，可用醋等弱酸將其清除，不要使用強酸清潔設備，因為這很可能會損壞設備。清潔後請重新安裝設備。



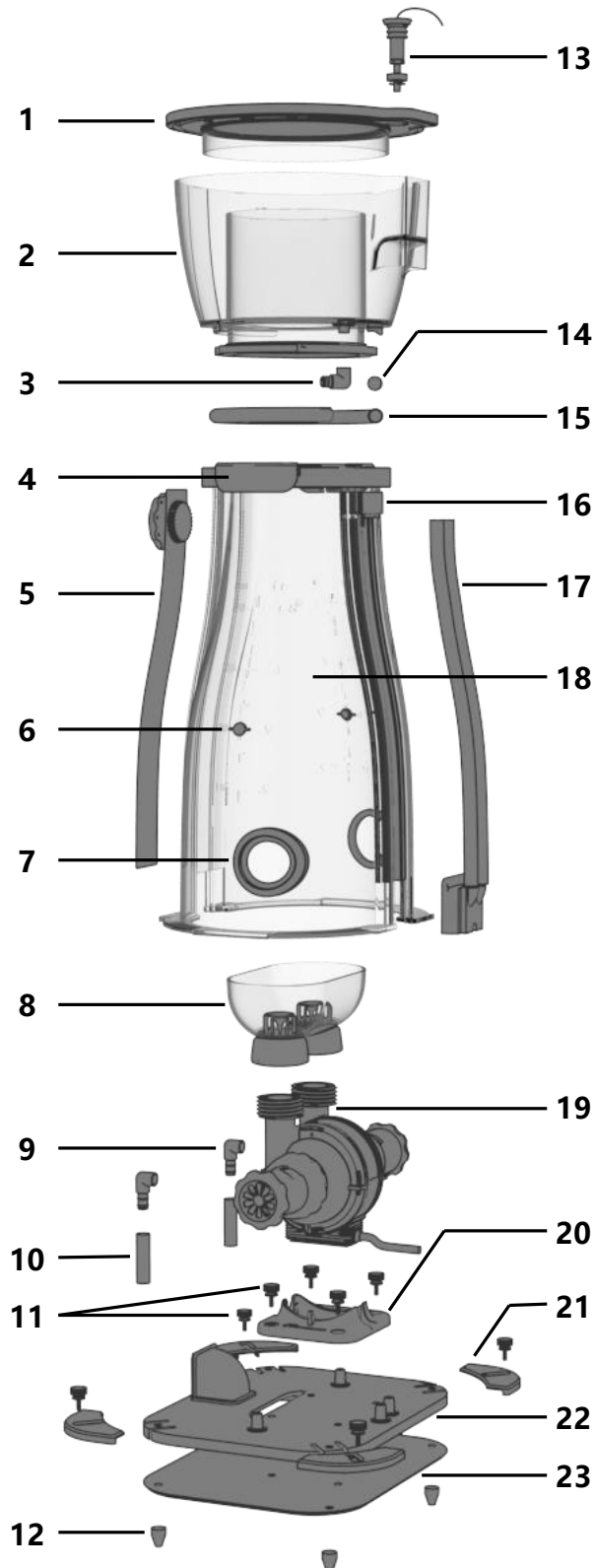
1. 清潔蛋白時，集成消聲器的底座同樣需要清洗。

2. 不要嘗試拆卸泵罩內的固定針刷(參考步驟 7)。

3. 注意泵罩必須安裝在正確的一側(參考步驟 7)。

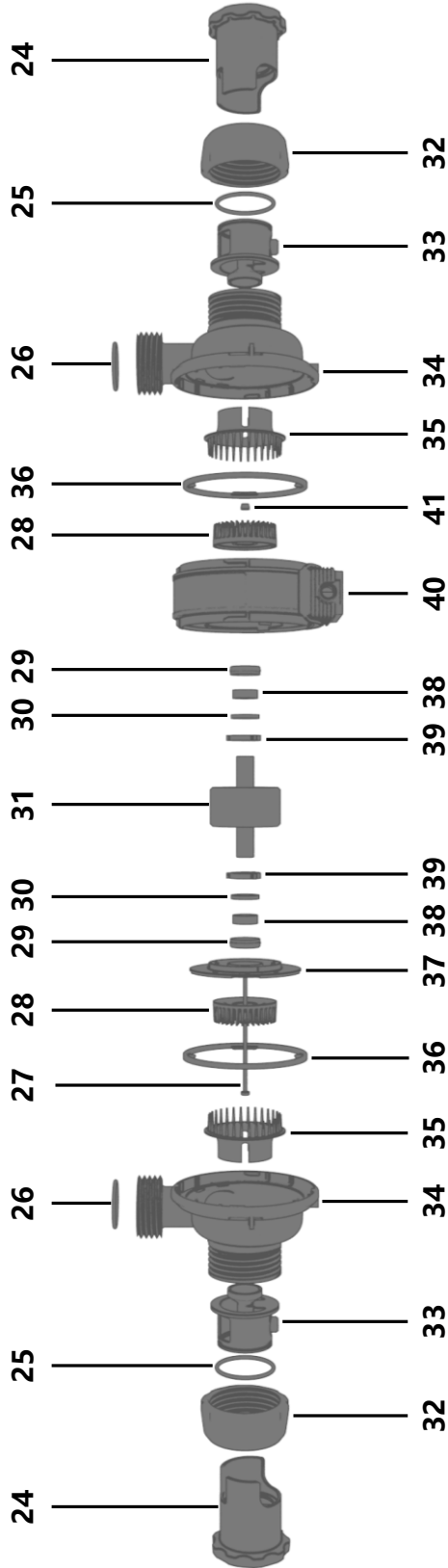


## 蛋白質分離器



序號	名稱	數量
1	收集杯蓋	1
2	收集杯	1
3/9	軟管連接頭	3
4	收集杯鎖扣	2
5	水位調節器	1
6	最佳水位指示塞	2
7	入水口密封圈	2
8	水泡導流器	1
10	進氣管	2
11	水泵/蛋分底座螺絲	8
12	蛋分腳墊	4
13	防爆沖感應器	1
14	污水管塞子	1
15	污水管	1
16	進氣口	1
17	進氣管	1
18	蛋分瓶身	1
19	水泵	1
20	水泵底座	1
21	瓶身鎖扣	4
22	蛋分底座	1
23	底板	1

## 水泵



序號	名稱	數量	序號	名稱	數量	序號	名稱	數量
24	進水口調節器	2	30	陶瓷軸承	2	36	矽膠圈	2
25	矽膠圈	2	31	轉子	1	37	轉子蓋	1
26	矽膠圈	2	32	進水口螺母	2	38	軸承	2
27	鈦合金螺絲	1	33	水/氣混合器	2	39	矽膠墊	2
28	轉動針刷	2	34	泵罩	2	40	定子	1
29	矽膠墊	2	35	固定針刷(不可拆卸)	2	41	鈦合金螺母	1

所有邁光品牌 (Maxspect) 產品自購買之日起 12 個月內若有品質問題，可享有 Maxspect 公司的保修服務。若在保修其內出現品質問題，Maxspect 公司將免費維修或更換配件。

若產品由於誤用，被改裝，發生事故，處理不當，或使用不當而受到損壞，或未經授權自行維修的，則不在保修範圍之內。不在保修範圍的情況包括但不限於，修改電路等被視為誤用或濫用而損壞產品的行為。

#### **間接及附帶損害免費聲明:**

Maxspect 對您或其他使用者的間接或附帶損害不承擔責任。間接或附帶損害包括但不限於，使用產品造成的損失或不便，對個人財產造成的損失，如電話，收入損失或盈利損失。本質保書賦予您合法權利，在不同的地區您還可能享有其它權利。

除上面明確提出的內容外，Maxspect 公司對產品的品質，性能，適銷性或特別用途的適用性均沒有作出明示或暗示的擔保或陳述。因此，本產品“按現狀”提供，您作為購買者承擔有關此產品的品質和性能的全部風險。

在任何情況下，Maxspect 公司均不對因本產品或其檔的缺陷而引起的直接的、間接的、特別的、附帶的或結果性的損害承擔責任。

上述質保書，聲明和故障排除方法是唯一版本，沒有其它口頭的或書面的，明示的或暗示的內容。在任何時候，Maxspect 公司的經銷商，代理商或雇員都無權對此質保書進行更改、擴展或補充。

由於某些地區不允許此類附帶性或結果性損害的免責或有限責任，上述限制可能不適用於您。

**提示：** 關於產品規格等詳細資訊，請流覽 Maxspect 官方網站：[www.maxspect.com](http://www.maxspect.com)









Maxspect™ Aeraqua Duo Protein Skimmer Owner's Manual Version 1.0

NOTE: Products, packaging, features and specifications are subject to change without notice.

All screen images are simulated.

© 2009-2019 Maxspect Limited. Reproduction in whole or in part without written permission is prohibited.

All rights reserved. Maxspect is trademark of Maxspect Limited.

[www.maxspect.com](http://www.maxspect.com)