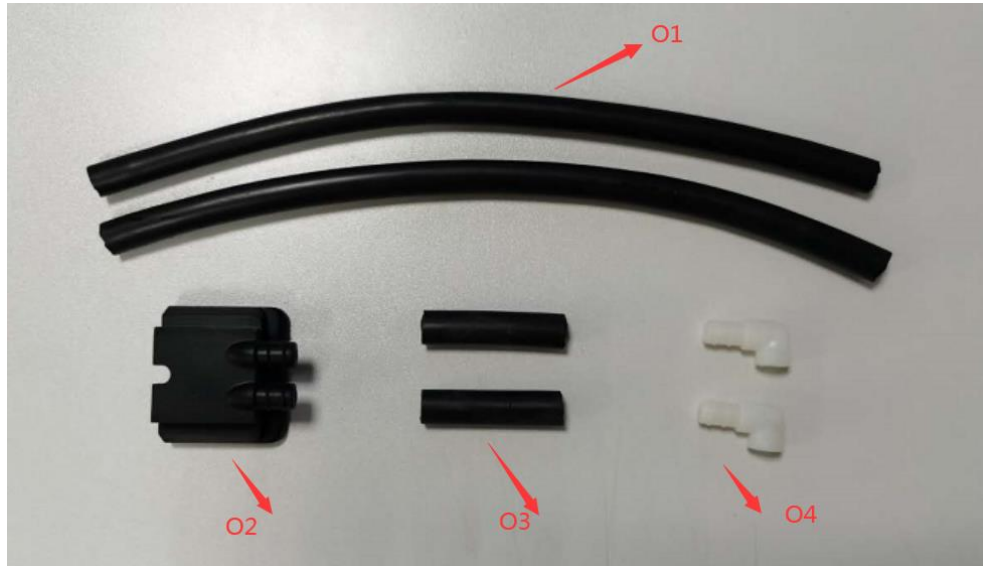


The Replacement of Ozone Proof Kits on AD600 Skimmer

1. To identify the parts of Ozone Proof Kit

There are four parts, with “O1” to “O4” as their names. These parts are for replacing the original **air pipes** of AD600 skimmer.

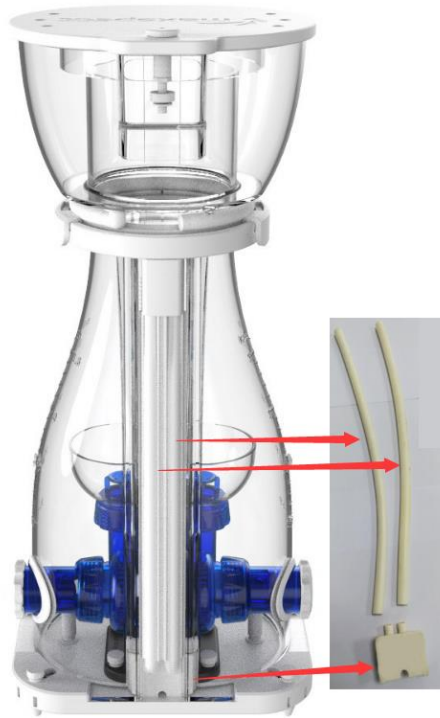


The original air pipes of AD600 skimmer are as follows:



2. Replacing them with relevant parts of AD600 Skimmer

2.1 Remove the **white part and white pipes** from the skimmer chamber, and replace them with O1 and O2 **black parts** of Ozone proof kits.



2.2 Remove the pipes that connects the pump to bottom panel, and replace them with **O3** and **O4** parts of the Ozone Proof Kit.

