



Since 1986



**Data sheet and list of spare parts for Bubble King® DeLuxe 200 VS14**  
For all Bubble King® DeLuxe protein skimmer 200 internal

vs15

**ENG**



## Data sheet for protein skimmer Bubble King® DeLuxe 200 internal

**Protein skimmer Bubble King® DeLuxe 200VS14 int. Pr. no.: 75/RD3/14 1.559,26 €**  
or aquariums from 700 ltr. up to 1.500 ltr.

*Skimmer-series Bubble King® DeLuxe for aquarium-grounds. For internal installation in filter-systems.  
The „deLuxe version" for the demanding user.*

### Technical data Bubble King® DeLuxe 200:

1.500 ltr./h Air - 3.000 ltr./h Water = 1 Red Dragon® 3 Mini Speedy pump 50 Watt / 1500 l/h

Base plate: Ø 23 cm / height ~ 59 cm

Skimmer-pump: max. 50 Watt/h, adjustable 15-50 Watt  
speed adjustable Brushless DC pump

Intake side: Nozzle with ozone & air plug // Pressure side: reducing ring Ø 32 mm

Delivery rate: from 150 to max. 1500 l/h air-intake // from 300 to max. 3000 l/h water-intake

Operating voltage: 230 Volt 50 Hz (also in 110V/60Hz available)

Protection class pump: IP 68 control unit: IP 66

Weight pump: 3,5 kg // Height of intake side: center 60 mm

Dimension pump: 100 mm wide / 160 mm length / ~ 140 mm height

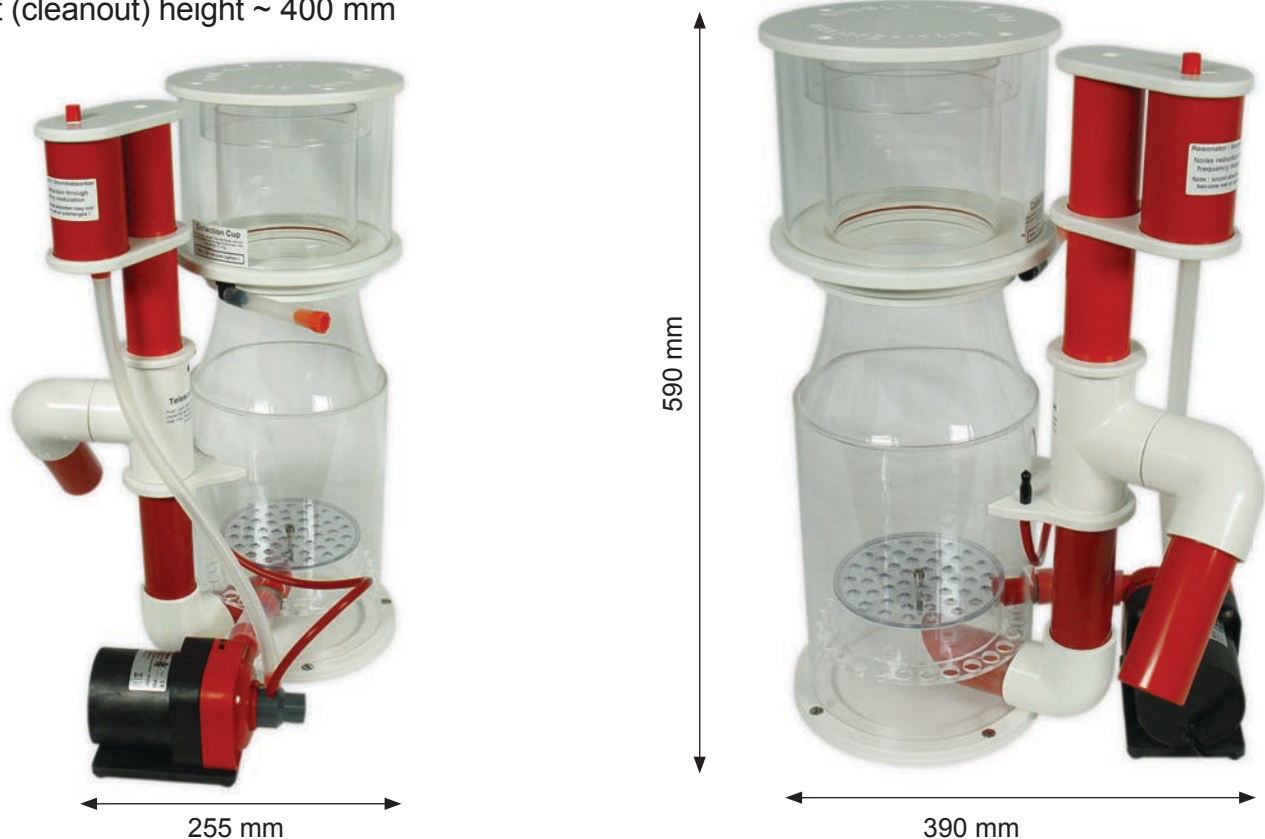
Dimension control unit: 120 mm wide / 160 mm length / ~ 65 mm height

Water level: ~ 180 mm up to ~ 270 mm (ideal ~ 225 mm)

Weight skimmer: 11 kg inclusiv pump

Dimension skimmer with pump: 255 mm wide / 390 mm length / ~ 590 mm height

Outlet (cleanout) height ~ 400 mm



For more information, please visit [www.royal-exclusiv.de](http://www.royal-exclusiv.de). Simply enter the part number or name into the search box or email: [info@royal-exclusiv.de](mailto:info@royal-exclusiv.de).

All information subject to change. We try our best, but printing errors reserved.

## Protein skimmer Bubble King® DeLuxe 200VS14 internal Product no.: 75/RD3/14

Protein skimmer Bubble King® DeLuxe 200 for internal filter assembly in aquariums of 700 l to 1.500 l.

The skimmer is equipped with a Red Dragon® Bubble King® skimmer pump from Royal Exclusiv®, installed on the side. A continuously height-adjustable telescopic tube is provided to regulate the water level. The swivelling water outlet at the side has a tube diameter of 50 mm.

For the fine adjustment of the water level, there is also a 360° pivotable PVC torque tube with a fitted dismountable simple silencer. The perforated Plexiglas lid can be opened by loosening the M6 titanium hexagon socket screw in the centre.

The complete skimmer cup can be unscrewed from the pillar tube. The lift height required for this is 30 mm. A pivotable tap is fitted to the bottom for draining off the absorbate. The skimmer pump is equipped with a descaling bypass.

The pump is connected to the skimmer on the pressure side through a loosely attached Ø 30 mm silicon tube connection piece. The 9 mm silicon tube is used to transport the air exhaust from the silencer to the pump.

The grey 6 mm connecting piece on the nozzle base part is set up for ozone supply. The adjustable skimmer-pump is to set the water/air-volume. Easy controll via the Controller.

### ***Important maintenance information!!!***

***For the smooth functioning of the protein skimmer, the skimmer pump must be regularly cleaned and decalcified!***



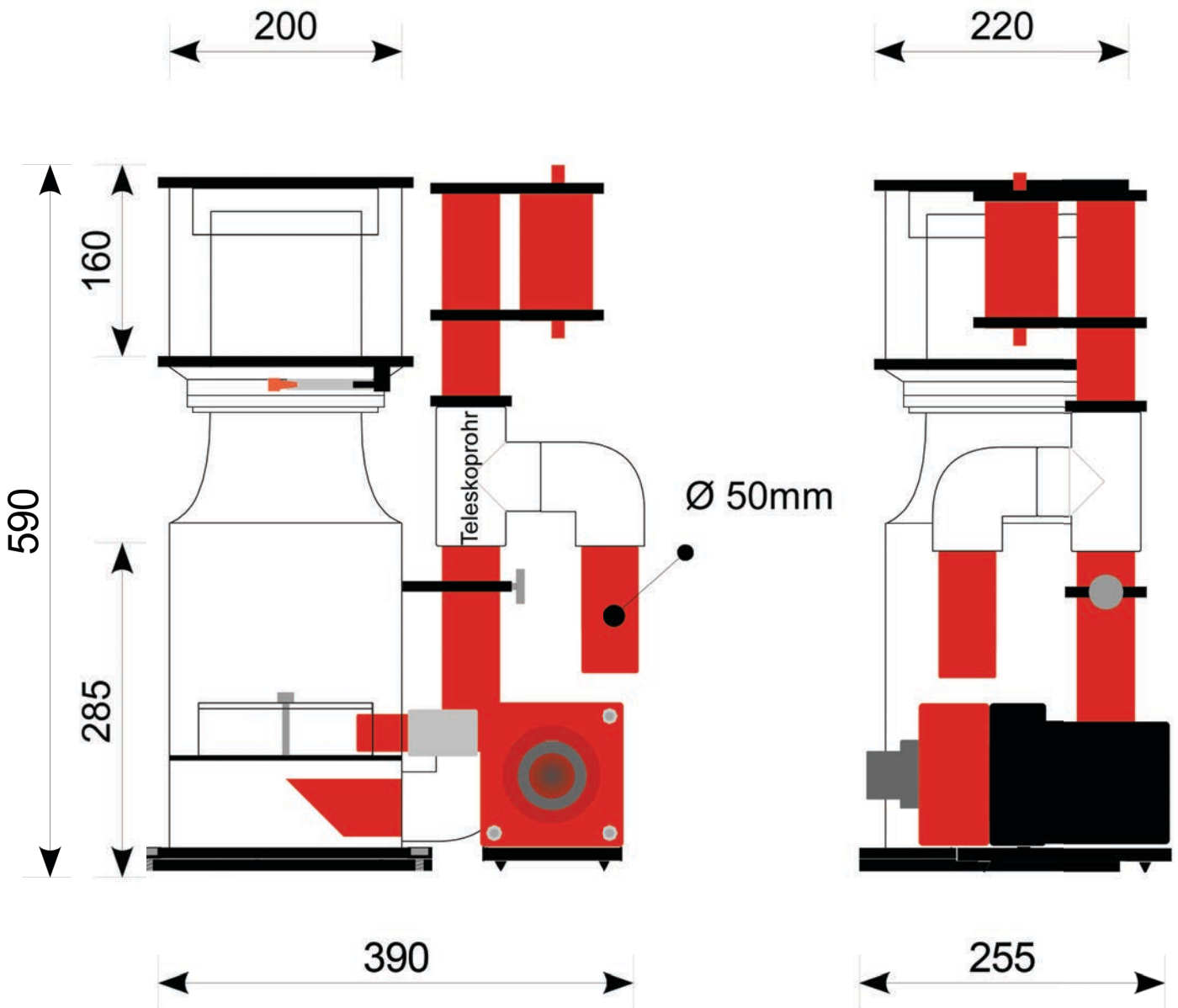


Since 1986



**Protein skimmer Bubble King® DeLuxe 200VS14 internal**

**Product no.: 75/RD3/14**



For more information, please visit [www.royal-exclusiv.de](http://www.royal-exclusiv.de). Simply enter the part number or name into the search box or email: [info@royal-exclusiv.de](mailto:info@royal-exclusiv.de).

All information subject to change. We try our best, but printing errors reserved.





Since 1986



**Protein skimmer Bubble King® DeLuxe 200VS14 internal** Product no.: 75/RD3/14

<i>list of spare parts</i>	<i>product no. (110V)</i>	<i>(230V)</i>	<i>Price</i>
resonator single for Ø 50mm torque tube	292	292	47,88 €
silicon-outlet (cleanout)	298	298	23,50 €
lid complete with lever ring	312	312	84,00 €
cup with conus / stand pipe / cleanout	356	356	277,20 €
silicon O-ring 125x2,5mm for conus	335	335	5,57 €
silicon O-ring 100x2,5mm for standpipe	339	339	6,30 €
silicon hose - 32mm 75mm length	296	296	8,24 €
torque tube Ø 50mm PVC red	346	346	37,80 €
titan screw for injection pan 6x45mm	183-5	183-5	8,09 €
plastic screw for pipe bracket 6x12mm	181-1	181-1	0,53 €
titan screw for torque tube 6x16mm	183-7	183-7	10,40 €
titan screw for base plate 1 piece	183-10	183-10	4,09 €
rubber feet 4 pieces	180	180	4,20 €
silicon hose 9x3mm (price for one meter)	185	185	19,42 €
skimmer body with conus	365/14	365/14	561,75 €
base plate PVC white 410 / 245mm	390/14	390/14	89,04 €
V4A screw 6 x 110mm for resonator / silencer	182-4	182-4	7,35 €
skimmer pump BK ( <i>Bubble King</i> ®) RD3 complete	610/DL/1	610/DL/2	523,95 €
part motor block 50W	601/SP21-1	601/SP21-2	267,75 €
controller ( <i>complete without wire</i> )	601/SP22-1 (+15,75€)	601/SP22-2	260,40 €
rotor complete 1500 l air	601/SP24-1	601/SP24-2	148,05 €
pump head BK ( <i>Bubble King</i> ®) 1500 l/h	601/SP1500	601/SP1500	19,95 €
titan screw 6x32mm with nut	601/SP28	601/SP28	5,25 €
titan screw 6x50mm with nut	600/SP5	600/SP5	9,45 €
O-ring for bearing plate Ø 85mm	603/ST3	603/ST3	4,73 €
rubber feet set = 4 pieces	180	180	4,20 €
nozzle with air- and ozon- plug 1500 l/h	610/1500	610/1500	25,20 €
O-ring for nozzle 1500 l/h	610/1500/1	610/1500/1	1,05 €

<i>accessories</i>	<i>product no. (110V)</i>	<i>(230V)</i>	<i>Price</i>
add on resonator Ø 63mm	999	999	33,60 €
PVC pipe clip Ø 63mm for wall and ceiling mounting	930-63	930-63	6,83 €
resonator - inlay	294-1	294-1	6,20 €
silicon grease tube 6g	030/6	030/6	2,63 €
silicon grease tube 25g	030/25	030/25	7,88 €

For more information, please visit [www.royal-exclusiv.de](http://www.royal-exclusiv.de). Simply enter the part number or name into the search box or email: [info@royal-exclusiv.de](mailto:info@royal-exclusiv.de).

All information subject to change. We try our best, but printing errors reserved.



## Protein skimmer Bubble King® DeLuxe 200VS14 internal Product no.: 75/RD3/14

Please replace the **x** with the appropriate number for the voltage of 110/230 Volt.

<i>spare part</i>	<i>spare part</i>	<i>spare part</i>	<i>spare part</i>
			
resonator single for Ø 50mm torque tube <b>292</b> 47,88 €	silicon outlet (clean-out) <b>298</b> 23,50 €	lid complete with lever ring <b>312</b> 84,00 €	cup with conus and stand pipe <b>356</b> 277,20 €
<i>spare part</i>	<i>spare part</i>	<i>spare part</i>	<i>spare part</i>
			
silicon O-ring 125x2,5mm for conus <b>335</b> 5,57 €	silicon O-ring 100x2,5mm for standpipe <b>339</b> 6,30 €	silicon hose 32mm 75mm length <b>296</b> 8,24 €	torque tube Ø 50mm PVC <b>346</b> 37,80 €
<i>spare part</i>	<i>spare part</i>	<i>spare part</i>	<i>spare part</i>
			
titan screw for injection pan 6x45mm <b>183-5</b> 8,09 €	plastic screw for pipe bracket 6x12mm <b>181-1</b> 0,53 €	titan screw for torque tube 6x16mm <b>183-7</b> 10,40 €	titan screw for base plate 1 piece <b>183-10</b> 4,09 €
<i>spare part</i>	<i>spare part</i>	<i>spare part</i>	<i>spare part</i>
			
rubber feet 4 pieces <b>180</b> 4,20 €	silicon hose 9x3mm (price per meter) <b>185</b> 19,42 €	skimmer body with conus <b>365/14</b> 561,75 €	base plate PVC white diameter Ø 230mm <b>390/14</b> 89,04 €

For more information, please visit [www.royal-exclusiv.de](http://www.royal-exclusiv.de). Simply enter the part number or name into the search box or email: [info@royal-exclusiv.de](mailto:info@royal-exclusiv.de).

All information subject to change. We try our best, but printing errors reserved.

## Protein skimmer Bubble King® DeLuxe 200VS14 internal Product no.: 75/RD3/14

Please replace the **x** with the appropriate number for the voltage of 110/230 Volt.

spare part	spare part	spare part	spare part
			
V4A screw 6 x 110mm for resonator / silencer 182-4 7,35 €	part motor block 50W 601/SP21-x 267,75 €	controller (complete without wire) 601/SP22-x 260,40 €	rotor complete 1500 l air 601/SP24-x 148,05 €
spare part	spare part	spare part	spare part
			
pump head BK 1500 l/h 601/SP1500 19,95 €	titan screw 6x32mm with nut 601/SP28 5,25 €	titan screw 6x50mm with nut 600/SP5 9,45 €	O-ring for bearing plate 603/ST3 4,73 €
spare part	spare part	spare part	spare part
			
skimmer pump BK (Bubble King®) RD3 complete 610/DL/x 523,95 €	rubber feet set = 4 pieces 180 4,20 €	nozzle with air- and ozon- plug 1500 l/h 610/1500 25,20 €	O-ring for nozzle 1500 l/h 610/1500/1 1,05 €



## Protein skimmer Bubble King® DeLuxe 200VS14 internal Product no.: 75/RD3/14

Please replace the **x** with the appropriate number for the voltage of 110/230 Volt.

**accessories**      **accessories**      **accessories**      **accessories**



add on resonator  
Ø 63mm  
999

33,60 €



PVC pipe clip Ø 63mm for  
wall and ceiling mounting  
930-63

6,83 €



resonator - inlay  
294-1

6,20 €



silicon grease tube 6g  
030-6

2,63 €

lid complete  
with lever ring  
312

84,00 €

cup with conus  
and stand pipe  
356

277,20 €

silicon outlet (clean-out)  
298

23,50 €

silicon O-ring  
125x2,5mm  
for conus  
335

5,57 €

silicon hose  
32mm 75mm length  
296

8,24 €

titan screw  
for injection pan 6x45mm  
183-5

8,09 €

skimmer body  
with conus  
365/14

561,75 €

titan screw for  
base plate 1 piece  
183-10

4,09 €

base plate PVC white  
diameter Ø 230mm  
390/14

89,04 €

resonator single  
for Ø 50mm torque tube  
292

47,88 €

resonator - inlay  
294-1

6,20 €

V4A screw 6 x 110mm for  
resonator / silencer  
182-4

7,35 €

torque tube Ø 50mm PVC  
346

37,80 €

silicon hose 9x3mm  
(price per meter)  
185

19,42 €

titan screw for torque  
tube 6x16mm  
183-7

10,40 €

skimmer-pump  
BK 1000 complete  
610/DL/x

523,95 €