



MAX[®] NANO G2

Operation Manual

ENG | DE | FR | JP | CHN



ENG | 1-27

DE | 28-57

FR | 58-85

JP | 86-113

CHN | 114-139

 **Red Sea**

Register

Your system online
to extend your warranty

Register your new system and enjoy a free, extended 1-year warranty on the aquarium glass, in addition to the standard 2-year system warranty*:

www.redseafish.com/register



Red Sea MAX[®] NANO G2

Complete Plug & Play[®] Open Top Reef System

Installation and Operation Manual



MAX® NANO G2 Installation & Operation Manual

MAX® NANO G2 Components	4
Safety	6
Location	7
Unpacking the MAX® NANO G2	8
Specification	9
Assembly	10
Installation of Rear Sump Components.....	11
Installation of Automatic Top-Off	16
Installation of LED Modules	16
Operation of Pump Switch-box.....	18
LED Set up and programming	18
Initial Fill.....	19
Operation of the Protein Skimmer	20
General Aquarium Maintenance.....	21
Adding Optional Devices.....	22
Trouble shooting	24
Warranty.....	26

Congratulations on your purchase of the Red Sea MAX® NANO G2 complete reef system.

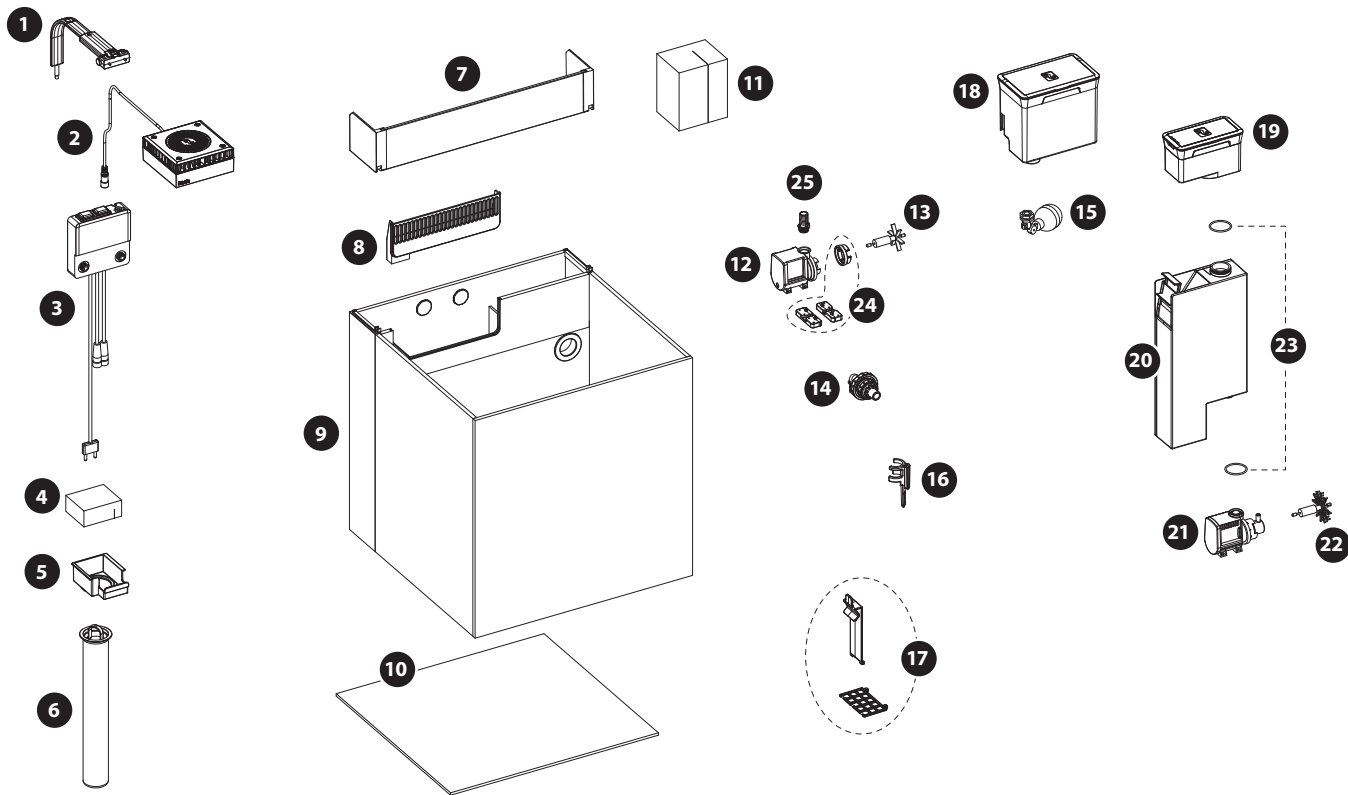
The Red Sea MAX® approach to the coral reef experience is to create an environment that is specifically attuned to the needs of coral and all inhabitants on an artificial reef. In the ocean coral reefs flourish only where specific physical conditions prevail, such as sufficient light, adequate current, stable temperature and water quality.

The Red Sea MAX® system provides the conditions that enable you to keep a thriving, healthy reef in your own home.

We hope that you enjoy your MAX® and wish you happy reefing.

To benefit from product update information and special offers exclusive to registered MAX® owners, please register your MAX® on-line at redseafish.com

MAX NANO G2 Components



	Component	MAX NANO G2 Cube	MAX NANO G2 Peninsula	MAX NANO G2 XL
1	ReefLED 50 Mounting Arm	R40600	R40600	R40600
2	ReefLED	ReefLED 50	ReefLED 50	ReefLED 50
3	Pump switch box	R40588	R40588	R40588
4	Skimmer Outlet Sponge	R40605	R40605	R40624
5	Filter bag holder	R40623	R40623	R40623
6	Micron Filter Bag	R40580 (225 micron)	R40580 (225 micron)	R40580 (225 micron)
		R40581 (100 micron)	R40581 (100 micron)	R40581 (100 micron)
7	Sump Screen	R40613	R40613	R40614
8	Surface skimmer	R40612	R40612	R40612
9	Glass Aquarium	R40615	R40616	R40617
10	EVA mat	R40598	R40604	R40618
11	Bubble trap sponge	R40606	R40606	R40607
12	Circulation Pump	R40589	R40589	R40608
13	Impellor RS Flow	R50423 (50hz)	R50423 (50hz)	R50403 (50hz)
		R50424 (60hz)	R50424 (60hz)	R50404 (60hz)
14	Pump outlet nozzle	R40590	R40590	R40590
15	Float Valve	R40599	R40599	R40599
16	ReefATO+ sensor clip	R40621	R40621	R40621
17	Media retainer	R40622	R40622	R40622
18	Automatic Top Up	R40594	R40594	R40611
19	MAX NANO Skimmer cup	R40593	R40593	R40518
20	MAX NANO Skimmer body	R40626	R40626	R40610
21	MAX NANO Skimmer Pump	R40591	R40591	R40609
22	Impellor NANO Skimmer	R50425 (50hz)	R50425 (50hz)	R50405 (50hz)
		R50426(60hz)	R50426(60hz)	R50406 (60hz)
23	MAX NANO Skimmer O-Ring Set	R40579	R40579	R40579
24	Circulation Pump feet & inlet	R40619	R40619	R40620
25	Circulation Pump hosebarb	R40625	R40625	R40625

1 Safety

Please read and follow all safety instructions.

DANGER: To avoid possible electric shock, special care should be taken when handling a wet aquarium. For each of the following situations, do not attempt repairs yourself; return the appliance to an authorized service facility for service or discard the appliance.

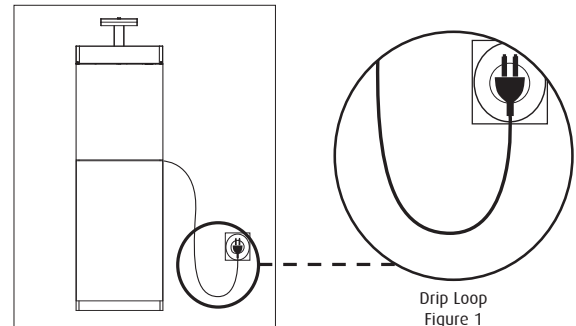
WARNING: To guard against injury, basic safety precautions should be observed, including the following:

- a. Do not operate any appliance if it has a damaged cord or plug, if it is malfunctioning, or if it is dropped or damaged in any manner. If the external cable is damaged, it shall only be replaced by the manufacturer.
- b. To avoid the possibility of the appliance plug or receptacle getting wet, position the aquarium stand and tank to one side of a wall mounted receptacle to prevent water from dripping onto the receptacle or plug. You should create a "drip loop" (Figure 1) for each cord connecting an aquarium appliance to a receptacle. The "drip loop" is that part of the cord below the level of the receptacle, or the connector. Use an extension cord, if necessary, to prevent water traveling along the cord and coming into contact with the receptacle. If the plug or receptacle does get wet, DO NOT unplug the cord. Disconnect the fuse or circuit breaker that supplies power to the appliance. Then unplug the device and examine for presence of water in the receptacle.
- c. To avoid injury, do not contact moving parts.

- d. Always unplug an appliance from an outlet when not in use, before putting on or taking off parts, and before cleaning. Never pull the cord itself to remove the plug from the outlet. Grasp the plug and pull to disconnect.
- e. Do not use an appliance for anything other than its intended use. The use of attachments not recommended or sold by the appliance manufacturer may cause an unsafe condition.
- f. Do not install or store the appliance where it will be exposed to the weather or to temperatures below freezing point.
- g. Make sure an appliance mounted on a tank is securely installed before operating it.

Read and observe all the important notices on the appliance.

NOTE: A cord rated for less amperes or watts than the appliance rating may overheat. Care should be taken to arrange the cord so that it cannot be tripped over or pulled accidentally.



2 Location

The first step in setting up the MAX® NANO G2 is to choose a suitable location.

Electric Supply

Ensure that the electric power supply outlet used for the MAX® NANO G2 is correctly rated for the system (75W), plus whatever additional equipment (such as a heater) you plan on adding. The power supply outlet must be grounded and connected to a circuit protected by a RCD/RCCB (residual current device or residual current circuit breaker) also known as a GFI/GFCI (ground fault circuit interrupter).

Floor

The floor directly below the legs must be level and rated for a static loading of at least 14kg/cm² (200 lbs/square inch).

Room temperature

Site selection is important for correct temperature maintenance. We recommend that you keep the ambient room temperature a comfortable and stable 22°C / 72°F. Avoid placing the tank in front of an air conditioner, heating vents or direct sunlight. A well ventilated room with moderate light is the best place to position the aquarium.

Accessibility

- **Back:** Ensure that there is at least 10cm (4") of clearance behind the MAX® to allow for sufficient air circulation for a chiller and general ease of operation.
- **Sides (Rear):** Ensure that there is sufficient room (approximately 60cm/24") between both sides of the aquarium and any adjacent walls or furniture for access to the rear of the tank. This is required for the regular maintenance of the surface skimmer, protein skimmer, flow pump and filter media as well as installing/removing cables to the Pump Switch-box.

General considerations

Ensure that the area surrounding the aquarium is waterproof and consider moving away anything that water might damage or which may be corroded by salt.

3 Unpacking the MAX® NANO G2 System

Please read this section carefully before proceeding.

1. Remove the EVA mat and the protective packaging from around the top of the tank.
2. Remove the components and any packaging materials that are packed inside the aquarium.
3. Open the accessory box and remove all of the parts for later assembly.

Removing the aquarium

With one person positioned at either side of the box, grasp the upper rim of the aquarium and gently lift it out and place on the designated surface.

CAUTION: The aquarium has a bare glass bottom. Before removing the aquarium from the box prepare a smooth, soft, clean flat surface that can hold its weight and place the EVA mat on it.

NOTE: Every precaution has been taken to ensure the safe arrival of the MAX® NANO G2 aquarium system, however before installing a new glass aquarium it is advisable to inspect it for damage or leaks.

Place the aquarium in a suitable location and fill the tank and rear sump to approximately 2.5cm (1") below the top of the glass. Leave the water standing for 15 minutes and inspect for leaks.

Syphon all of the water out before moving.

Approximate weights of Aquarium (empty)

Model	Metric (kg)	Imperial (lb)
MAX NANO G2 Cube	23	51
MAX NANO G2 Peninsula	27	60
MAX NANO G2 XL	38	84

4 Specification

MAX® NANO G2 system main components	MAX® NANO G2 Cube	MAX® NANO G2 Peninsula	MAX® NANO G2 XL
MAX® NANO G2 type glass aquarium with integral rear sump	75L (20 gal)	100L (26 gal)	125 (33gal)
Rear Sump Protein Skimmer	NANO		NANO XL
Circulation pumps	1 x 950lph (240 gph)		1 x 1550lph
MAX® NANO G2 Cabinet (optional)	Self-assembly		
Pump Switch-box	✓		
ReefLED® 50	50W		
Filter sponges	2		
Carbon media with drawstring bag	100g		
Rear Sump Screen	✓		
Automatic Top-Off	✓		
Removable Filter Bag Holder (NanoMat Ready)	✓		
Micron Filter Bag	✓		
ReefATO+ Ready-Sensor Clip	✓		

5 Assembly

Perform the assembly and installation of all of the components in the order described below before adding the water to the system.

NOTE: Left and Right designations in this manual are when looking from the front of the Aquarium.

5.1 Cabinet assembly

WARNING: If you are not experienced in the construction of self assembly furniture, seek suitably qualified assistance.

Detailed instructions for the assembly of the MAX® NANO G2 cabinet can be found in the accompanying graphic manual.

The assembly of the cabinet requires the use of a regular crosshead screwdriver. Do not use an electric screwdriver.

Adjustment of the Push-To-Open (PTO) door opening unit.

Pressing the end of the PTO unit by 1.5mm (1/16") will spring the shaft forward by 5cm (2") to the open position.

Pushing the PTO shaft back inside the cabinet will lock it in the closed position.

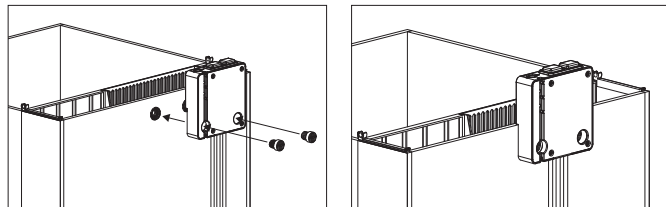
After assembling the cabinet door, make sure that the PTO is in the closed position and allow the soft close hinges to fully close the door. With the door in the closed position press the door in the region of the PTO. The door should spring open. If the door does not spring open adjust the position of the PTO by rotating the front end of the shaft anticlockwise half a turn. Repeat this adjustment until pressing the door causes the PTO to operate.

After assembly, place the cabinet in the desired location.

5.2 Pump Switch-box

Align the Pump Switch-box with the holes provided in the rear wall of the aquarium and fix into position with the screws provided. Do not attach the LED mounting arm or module at this time.

NOTE: Do not plug the Switch-box power cable to your power outlet until instructed to do so.



5.3 Placing Aquarium

Lifting the glass aquarium onto the cabinet will require 2 people. The top of the cabinet is approximately 86cm (34") from the floor. Ensure that anyone lifting the aquarium is physically suitable for such an operation and has been instructed in the correct methods of lifting heavy objects. Aquarium must be lifted from the bottom.

Place the EVA mat on the top of the cabinet or other surface that will be supporting the aquarium. The EVA mat is smaller than the aquarium. Place the glass flush with the back of the mat and 3mm (1/8") from each of the sides.

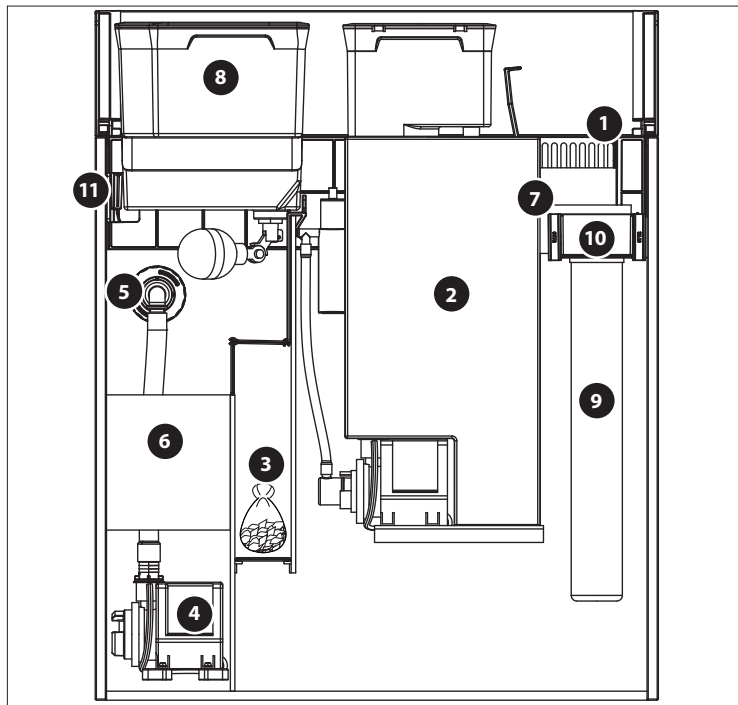
Before lifting aquarium, place the assembled cabinet in the final operating position (see location above) and set the glass aquarium in position on top.

The back and sides of the glass should be flush with the rear and side edges of the top of the cabinet.

Once the aquarium is correctly aligned with the cabinet, check that the cabinet has not moved. If necessary readjust the position of the cabinet.

6 Installation of Rear Sump Components

1. Detachable Surface Skimmer
2. Protein Skimmer
3. Carbon
4. Circulation Pump
5. Pump Outlet Nozzle
6. Bubble trap sponge
7. Skimmer Outlet Sponge
8. Automatic Top Up
9. Micron Filter Bag
10. Removeble Micron Filter Bag Holder
11. ReefATO+ Holder



MAX® NANO G2 rear sump component assembly diagram

Overview of the MAX® NANO G2 filtration and circulation system

The MAX® NANO G2 rear sump has a complete multistage filtration system consisting of a REEF-SPEC® protein skimmer, activated carbon and mechanical filtration materials.

Water circulation in the aquarium and sump is approximately 12 times the entire water volume per hour with forced flow through the mechanical and chemical filter media while the protein skimmer treats the water at the SPS spec of approximately 3 times per hour.

The water flows from the aquarium to the rear sump via a detachable surface skimmer that directs the organics laden water from the upper surface of the main tank into the rear sump.

From the surface skimmer the water is immediately channeled through a micron filter bag before entering the skimmer chamber. If the filter bag is not cleaned frequently enough and becomes blocked, the water will bypass the micron filter without affecting the overall operation of the rear sump.

After the skimmer chamber the water is positively drawn through the REEF-SPEC® carbon and the bubble stripping sponge filter by the circulation pump located at the bottom of the sump, that returns the filtered water back to the aquarium through a multidirectional outlet nozzle. When the pumps are running, the water in the aquarium will be maintained at approximately 2.5cm (1") below the rim.

To maintain a constant water height in the system the MAX® NANO G2 includes an automatic Top-Off system with a 1.5 liter freshwater reservoir which should be enough to compensate for about 2 days of evaporation. The rear sump will continue to run efficiently even after evaporation of approximately 1 liter (with an insignificant rise in salinity) and therefore the MAX® NANO G2 should run for at least 3 days without adding water to the system.

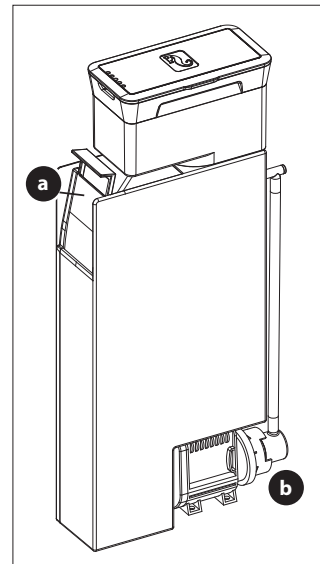
6.1 Protein Skimmer:

The MAX® NANO G2 protein skimmer consists of three parts: skimmer body, collection cup and skimmer pump.

Familiarize yourself with the skimmer pump by disassembling and reassembling all of the component parts. Ensure that the impeller chamber cover is correctly positioned and properly secured by the bayonet ring. Before use check that the pump and power cable are not damaged.

Diagram key :

- a. Skim adjuster
- b. Venturi inlet
- c. Air pipe
- d. Small air pipe

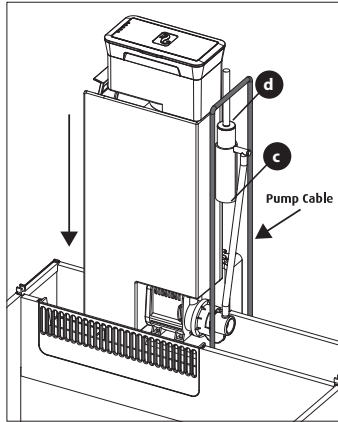


NANO G2 skimmer

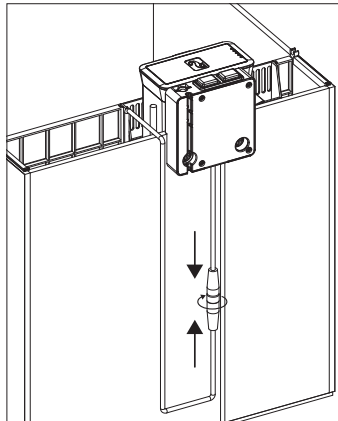
Assemble the skimmer as shown in the diagram.

1. Set the skim adjuster to its lowest position.
2. Connect the air pipe from the venturi inlet of the skimmer pump to the outlet of the silencer.
3. Connect the small air pipe on the inlet of the silencer.

4. An optional air valve is provided for use with the skimmer. Initially do not attach the air valve; it is only to be used if required as described in the operation instructions.
5. Hold the pump cable at the side of the skimmer, as shown in the diagram and slide the skimmer into the skimmer compartment so that the silencer just touches the glass partition.
6. Feed the cable over the back wall and connect to the left hand cable of the Pump Switch Box by tightening the connector nut.



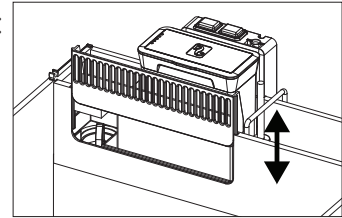
NANO G2 skimmer



skimmer cable

6.2 Surface Skimmer:

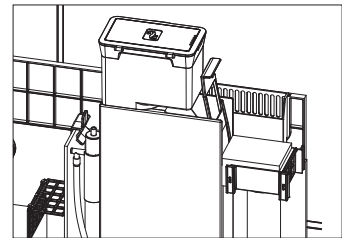
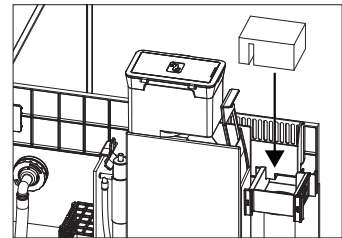
The removable surface skimmer is supplied assembled in the correct position in the dividing wall between the tank and the rear sump. To remove the surface skimmer simply raise in the upward direction. Note the surface skimmer incorporates a channel that directs the water to the micron filter.



Surface Skimmer/comb

6.3 Micron Filter:

Check that the Removeable Filter Bag Holder is correctly installed and that the micron filter bag is installed in the Filter Bag Holder. Place the small black sponge onto the filter bag holder as shown in the diagram so that the sponge is also touching the side of the skimmer.



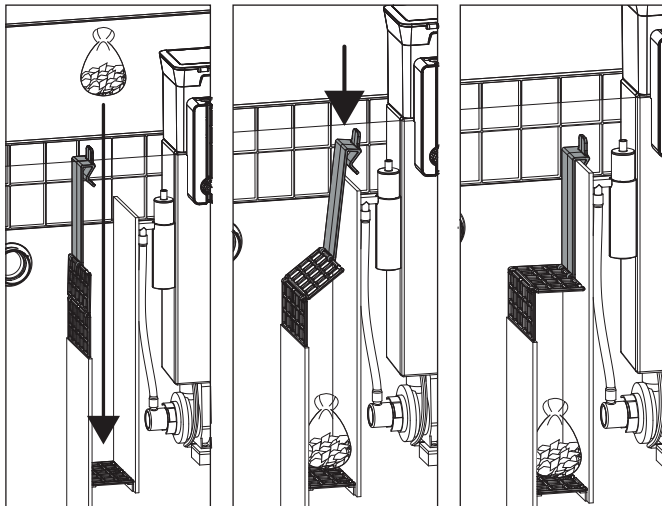
filter bag and sponge

NOTE: The MAX® NANO G2 is supplied with a 225 Micron thin mesh filter bag (#40580). 100 micron fine polishing filter bags (#40581) are available from Red Sea dealers.

6.4 Carbon:

Wash the carbon filter material under running water several times to remove residual dust. It is recommended to soak it in water for 24-72 hrs. before usage otherwise during the first 3 days after set-up the carbon may float and release micro air bubbles from inside its pores.

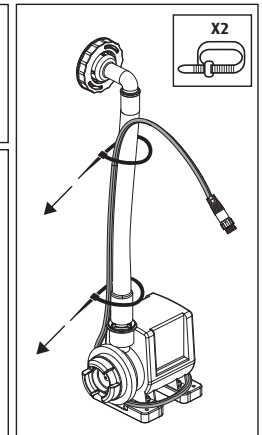
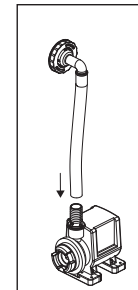
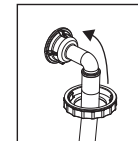
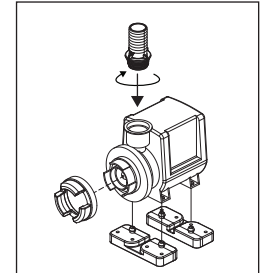
Lower the washed carbon into the chamber to the right of the skimmer so that it rests on the grid located approximately 30cm (12") below the top surface of the glass. Close the Media retainer to prevent the carbon from floating upwards.



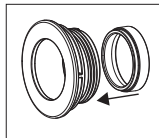
6.5 Circulation Pumps:

Familiarize yourself with the multidirectional outlet as shown in the drawing. Familiarize yourself with the circulation pump by disassembling and reassembling all of the component parts. Ensure that the impeller chamber cover is correctly positioned and properly secured by the bayonet ring and that the flow valve is in the fully open position. Screw the hose barb provided into the outlet of the pump.

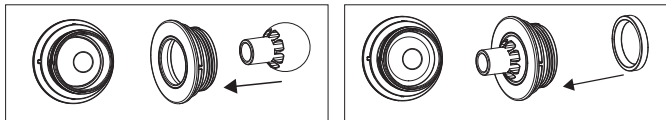
1. Before use, check that the pump and power cable are not damaged.
2. Push the rubber feet inlet on the pump and screw the hose barb into the outlet.
3. Thread the outlet bayonet connector onto the flexible pipe and assemble the flexible pipe to the pump so that the outlet elbow is perpendicular to the pump as shown in the drawing.
4. Wrap the power cable around the pump as shown and attach to the flexible pipe with the cable ties provided.



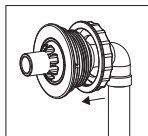
5. Insert the Eyeball Seat into the Outlet Holder that is fixed into the glass. This part is a tight fit so that it will not float out during any pump maintenance but can be removed if necessary for cleaning.



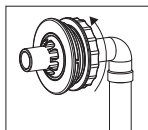
6. Insert the Eyeball outlet followed by the seal into the Outlet Holder.



7. Lower the pump into the pump chamber until the Outlet Elbow with the Bayonet connector is opposite the Outlet Holder.

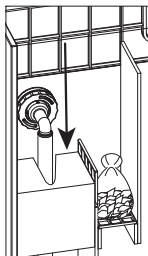


8. Screw the Bayonet to the Holder until firmly in position. Check that the Eyeball is free to rotate but held securely in the desired position. Initially adjust the nozzle to the downward position to prevent splashing when the pump is first switched on.



9. Feed the cable over the back wall and connect to the right hand cable of the Pump Switch Box by tightening the connector nut.

10. With the circulation pump secured in position, push the black filter sponge into the pump chamber so that the slit in the sponge is in line with the flexible pipe.

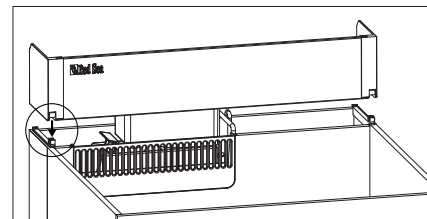
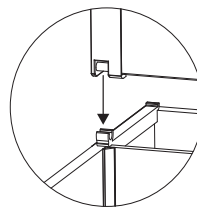


6.6 Sump Screen:

Position the sump screen above the front wall of the rear sump. Align the hinges above the clips on the top of the side walls and push firmly into position. Push the rear of the sump screen until it clicks into position.

To rotate, pull the top of the screen forward until the screen lays flat on

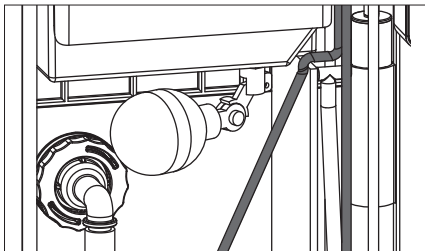
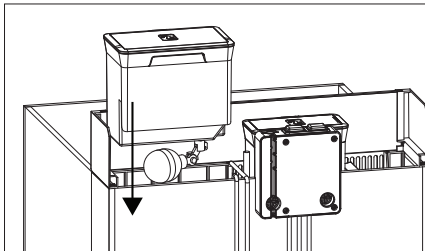
the top of the tank.



7 Automatic Top-Off (ATO):

The MAX® NANO G2 ATO unit is supplied fully assembled and should not need any adjustment before installing on the system however make sure that the float valve is at the correct angle as shown in the diagram. Hold the circulation and skimmer pump cables to the side of the Pump Switch Box and slide the ATO into position on the rear wall of the sump. Make sure that the cable of the circulation pump is located in the recess at the bottom of the reservoir.

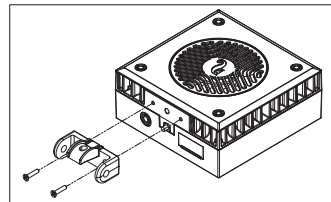
NOTE: Do not add RO water to the ATO until you have the correct amount of seawater in the system.



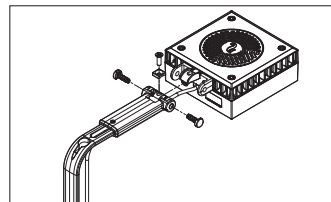
8 Installation of LED Modules

The ReefLED® 50 for the MAX® NANO G2 is attached to the mounting arm by a swivel joint. The mounting arm is attached to the aquarium by the hole provided for it in the top of the Pump Switch-box. The complete LED assembly can be rotated from side to side for ease of aquascaping and maintenance of the rear sump, specifically when removing the skimmer.

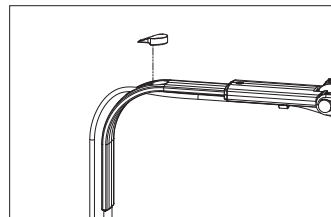
1. Using the M3 screws provided, attach the swivel connector as shown in the diagram



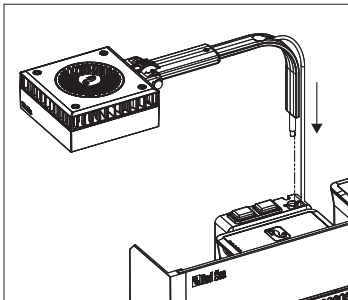
2. Push the swivel connector on the ReefLED onto the arm extension. Insert the connector pins to both sides and push until firmly in position. Screw the fixing screw into the top of the connector until the ReefLED is secure.



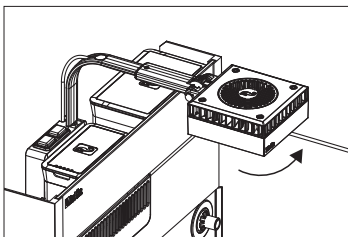
3. Thread the cable through the hole in the bend of the mounting arm and push the cable-hole plug into position.



4. To attach the LED mounting arm to the switchbox hold it so that the pin at the bottom of the arm is over the hole in the switchbox and the LED unit is facing sideways as shown in the diagram. Place the cable over the back of the aquarium.

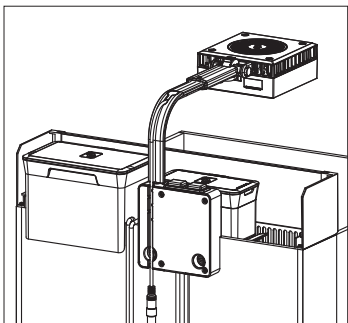


5. Lower the pin into the hole and when the flat part on the arm is in resting on the Pump Switch Box, rotate the arm to the forward position.



Thread the cable through the recess provided in the back of the Pump Switch Box. Untighten the fixing screw on the top of the swivel connector. Adjust the position of the ReefLED until it is parallel with the top of the aquarium and re-tighten the fixing screw.

Find a suitable safe place to locate the power supply, such as in the cabinet.



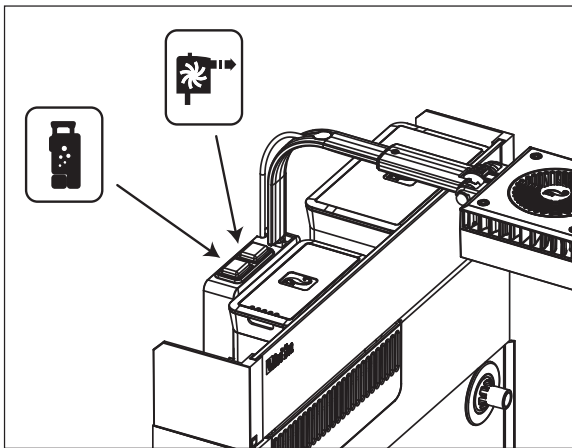
Connect the DC connector from the LED unit to the power supply but do not plug the power supply into the wall outlet until you are ready to set up the LED unit.

9 Operation of Pump Switch-box

The Pump Switch-box is designed to provide easy on/off control of the circulation and skimmer pumps during routine activities such as feeding or maintenance.

Ensure that the 2 switches are in the off position and plug the power cable to the wall outlet. Do not switch the pumps on until both pumps are fully submerged in water.

The cable connectors are designed to prevent any ingress of water when used in the designed manner. The connectors are not waterproof and must not be immersed in water.



10 LED Set up and programming

To set up and program the ReefLED® 50 follow the instructions provided with the LED module:

Programming guidelines:

Photoperiod: Day/moonlight

The day photoperiod should be between 8 – 12 hours with no more than about 9 hours at maximum intensity. Corals and fish must have daily periods of darkness. Moonlight should be limited to a maximum period of about 4 hours.

Acclimation

To prevent photo-inhibition due to the high intensity of LED lights, an acclimation period is recommended for new systems or when introducing new corals.

Acclimation will vary for different kinds of corals however it is recommended to allow a period of 8 weeks for new set-ups. During the acclimation period look for signs of photo stress and photo-inhibition such as:

- Whitening/Bleaching of the upper section of the tissue (the lower section will continue to show pigments and zooxanthellae).
- Polyps retraction.
- Gas bubbles inside the soft tissue.

In the event of any of the above symptoms immediately reduce the Acclimation intensity by 20% for about 4 weeks and thereafter increase by 5% per week until maximum intensity is reached.

When introducing new corals to already acclimated systems, start by positioning them at the lower levels of the aquarium and gradually raising them to their desired position over a period of several weeks. Keep watching for signs of photo inhibition/stress and if necessary return an affected coral to lower levels for recuperation.

11 Initial Fill

Follow the mixing instructions for mixing your artificial sea water. It is advisable to place any substrate or live rocks in the tank before adding the water as this will significantly affect the overall volume of water required.

Add the seawater to the main tank, rear sump and directly into the skimmer (to prevent it floating instead of filling with water) until the water is at the level of the circulation pump outlet nozzles. Turn on the skimmer pump and circulation pump and add more water to the system until the water level in the rear sump is approximately 10cm (4") below the rim of the aquarium.

NOTE: If you have mixed your saltwater for the initial fill inside the aquarium wait until the salt is fully dissolved and that the water has reached the desired salinity and temperature before trying to set the final water level.

12 Operation of the Protein Skimmer

Adjustment of the skimmer will be necessary from time to time due to the constant changes in density and organic material in the water.

The consistency of the foam produced by the protein skimmer is controlled by raising and lowering the Skim Adjuster.

The foam will be formed in the upper part of the skimmer body and will build and climb up the neck of the collection cup. Set the position of the Skim Adjuster so that the water level in the skimmer body is approximately at the base of the neck.

If the foam is too dry or it starts to accumulate lower in the neck, gradually raise the Skim Adjuster until the desired foam consistency is achieved. If the foam is too wet, lower the Skim Adjuster.

Over-Skimming

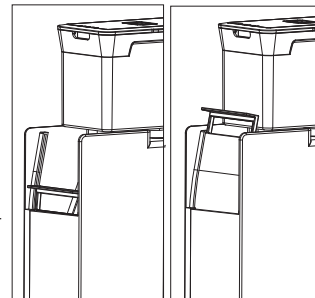
An uncontrollable flow of aerated water into the collection cup. In the event of over-skimming the excess water will flow back into the sump from the overflow slot located at the top of the collection cup.

To control the over-skimming make sure that the Skim Adjuster is set in its lowest position, add the air valve to the top of the air inlet pipe and reduce the air intake until the foam stabilizes. Continue controlling the skimmer by adjusting the air intake. When the skimmer is stable with the air valve fully open, remove the valve and control the skimmer with the Skim Adjuster.

New Skimmers or Set-ups

Skimmers only produce foam if the water contains the proteins that bind to the surface of the air bubbles and give the bubbles the structural rigidity they need to ascend the neck of the skimmer and settle in the collection cup. In a new aquarium set-up the bio-load is low and the amount of proteins is negligible.

New skimmers sometimes need a short break-in period of a few days before they begin to function efficiently. Over-skimming is common while harmless chemical residues that affect the surface tension of the water are neutralized.



Feeding and Supplementing

Skimmers are very susceptible to the effect of surface active compounds such as foods and supplements that are added regularly to the aquarium. Such materials can significantly affect the foam production and in some cases cause over-skimming. Immediately before adding such materials switch the skimmer off and leave off for 30 minutes or however long it takes until the skimmer will return to its normal foaming action without repositioning the Skim Adjuster.

Collection Cup

Monitor the amount of skimmate that accumulates in the collection cup and empty the cup on a regular basis. When emptying the cup, clean the inside of the neck by rinsing it with water, as the build-up of skimmate in the neck will adversely affect the skimmer performance. If you wash the cup with detergent make sure to rinse it thoroughly before returning it to the skimmer.

13 General Aquarium Maintenance

The long-term success and health of the inhabitants of your MAX® aquarium depends on you. Proper planning makes reef care easier to manage and quicker to perform. This will leave you more time for the real goal: enjoying your aquarium. Care of the tank should follow a regular, logical pattern. Divide the tasks into daily, weekly and monthly procedures, including equipment checks, feeding, water parameter testing and adjustments.

You may find it helpful to make a systematic checklist of care activities and keep a log of the activities performed. Your log does not need to be complicated; you will need to track the following:

- The tank's parameters – pH, salinity, temperature, etc.
- The general appearance of the tank and individual species.
- Equipment changes – when you changed light tubes or replaced heaters, etc.
- Replacement of carbon or other filter media.
- Information specific to each animal – when they were added, moved or removed, their approximate size, any signs of stress or ill health etc.

Water levels

Check the water level in the ATO on a daily basis and add fresh water as required to compensate for any evaporation. If the water in the aquarium is too high check that the surface skimmer is not blocked.

Surface Skimmer

Remove and clean the surface skimmer at least once a week to allow proper water flow and stable water level differentiation between the aquarium and the rear sump. Periodically soak in a weak acidic solution (vinegar, citric acid) until any calcium carbonate deposits have dissolved. Wash thoroughly before returning to the aquarium.

Protein skimmer

Check the foam production in the collection cup and reposition the Skim Adjuster or air flow as required to maintain a stable dry foam. Empty and clean the neck of the collection cup as required.

Pumps

Check that the circulation pump is working well and pointed in the right direction. If you notice any regression in currents, check the pump and the outlet nozzle for any obstructions (snails, crabs, carbon chips, etc.).

To ensure proper function of skimmer and circulation pump they should be cleaned on a regular basis.

NOTE: Aquariums with higher levels of Calcium and Alkalinity will require more frequent maintenance.

To clean the pumps:

- Switch the pump off at the Switch Box and disconnect the cable. and remove it from the aquarium.
- Remove the impeller housing and take out the impeller.
- Clean all of the parts, impeller housing, impeller and the impeller chamber of the motor by wiping with a soft cloth or brush. To remove calcium carbonate deposits soak the parts in a weak acidic solution (vinegar, citric acid) until deposits have dissolved.
- Rinse all parts thoroughly, reassemble the pump, ensuring that all pipes are connected securely and return to the aquarium before reconnecting the power cable to the electric supply.

NOTE: If the pump makes mechanical noise after cleaning, replace the impeller. The impeller is a wear item and may need to be replaced periodically.

Water temperature control

For optimum conditions a reef aquarium should be maintained at a stable water temperature in the range of 24-28°C / 76-82°F (the stability of the temperature being more important than the exact value). Slightly higher temperatures can be tolerated for short periods of time as long as the change in temperature is steady and not sudden. Monitor the temperature at least twice a day, looking for dramatic fluctuations.

Avoid temperature differences of more than 2°C / 7°F during the day. During season changes and when heating or cooling the house, monitor the tank temperature more frequently.

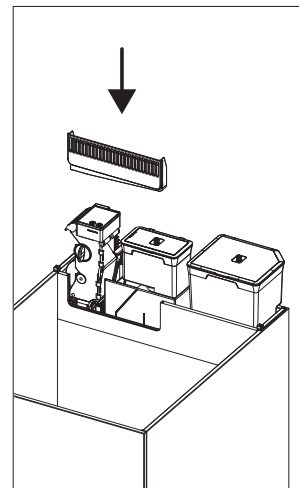
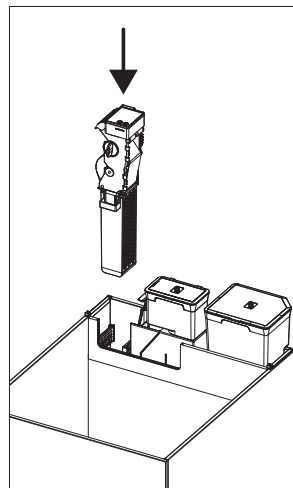
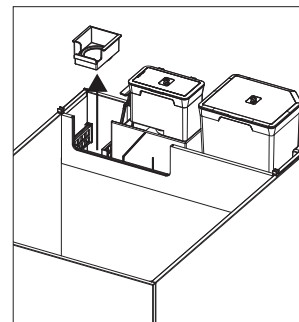
Change the carbon filter

Replace the active carbon filter every two months.

14 Adding Optional Devices

NanoMat

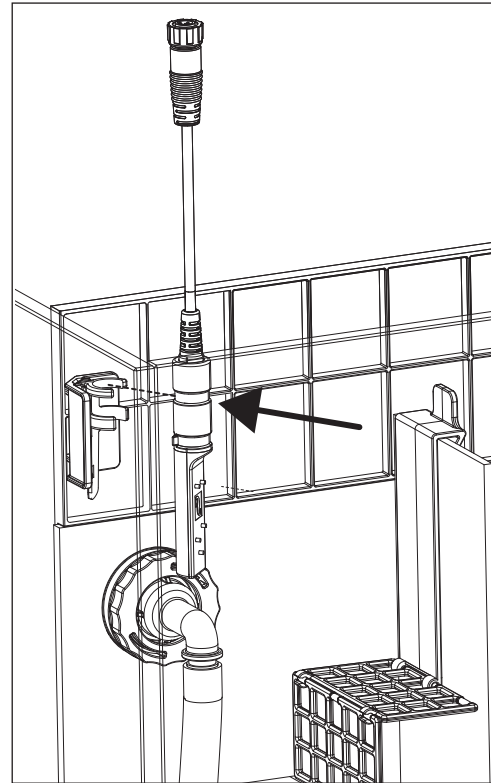
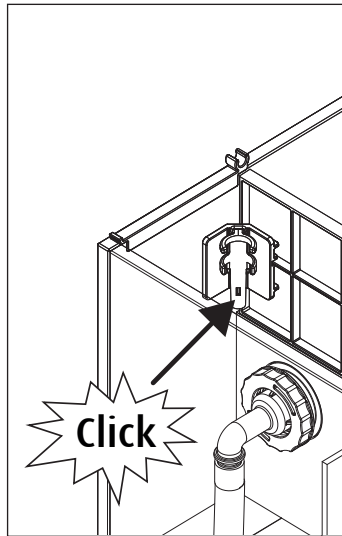
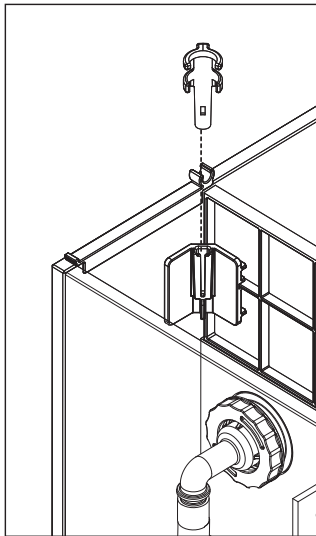
Remove the filter bag holder and follow the installation instructions provided with the NanoMat.



ReefATO+

To install the ReefATO+, remove the standard ATO system and install the ReefATO+ sensor in the holder as shown.

follow the instructions provided with the ReefATO+ to complete the installation.



15 Trouble shooting

Q. My set up is new and the skimmer doesn't seem to be skimming.

A. Check that the salinity of the water is within the correct range for reef aquariums. If the setup is new or if you have just cleaned your skimmer, rinse thoroughly with water and return to the sump. The skimmer should start foaming within a few days. Skimmers react to changes in water density and other harmless chemical residue from the production process. While this is safe for your aquarium, it will impede the skimmer's efficiency for a couple of days. Remember that your skimmer will work only if the water contains proteins, as these proteins bind to the surface of the air bubbles and give the bubbles the structural rigidity they need to ascend the neck of the skimmer and settle in the collection cup.

Q. My skimmer is new and is producing a lot of weak, watery foam (over-skimming).

A. Production of an excessive amount of weak, watery foam – also referred to as over-skimming indicates the presence of chemical substances that need to be removed by the skimmer. Lower the position of the Skim Adjuster as necessary to reduce the water level in the skimmer neck and if necessary reduce the air flow by adding the air valve to the air inlet and restrict the air flow until you get a stable foam production. It may take a few days for the skimmer to remove all of the chemicals.

Q. My set up is not new and skimmer isn't producing foam or it is too dry and builds on the neck.

A. During a new set-up the bio-load is low and the amount of organics is negligible. If your MAX® is fully stocked, increase the height of the skimmer shutter as necessary and open the air valve. Check the water level in the rear filtration chamber and raise it to the optimal line. If you still get light foam production inspect for blockage in the airline or skimmer inlet.

Q. My skimmer is not new and is over-skimming after feeding and/or supplementing.

A. See Feeding and Supplementing in chapter 12 (page 18).

Q. The water level in the aquarium is too high.

A. Check the surface skimmer comb for restrictions such as algae or snails and clean the comb as instructed above.

Q. A pumps has stopped working or is making mechanical noise.

A. Disassemble and clean the pump as instructed above.

Q. The circulation pump is injecting micro-bubbles into the aquarium.

A. Make sure that you have added freshwater to compensate for evaporation and that the water level in all compartments of the rear sump is correct and that there are no blockages in the surface skimmer or in filter media preventing the pumps from being fully submerged. A low level of micro-bubbles in marine aquariums is normal and should be expected. Intense skimming is the secret of great water quality, as it both removes organic waste before it can break down AND maintains a high redox level. This is achieved by super-saturating the water with air, i.e. dissolving more gas into the water than is normal for the given temperature and pressure. Once the super-saturated water leaves the skimmer, it “relaxes” and releases the extra gas in the form of micro-bubbles. In the MAX® NANO G2 the pumps are located near the bottom of the rear sump and are pre-filtered by a sponge that should prevent any air bubbles from reaching the pump inlet. There may be a buildup of air trapped inside the sponge. Remove the sponge, rinse and return it to the sump. You might be getting micro-bubbles if you are using tap water with water conditioners or natural seawater. Many conditioners, some synthetic salt formulae and impurities found in natural seawater increase the surface tension of the water and cause a small proportion of the bubbles to escape out of the

skimmer chamber and flow out through the pumps. We strongly recommend NOT using tap water. If you are using tap water DO NOT add conditioners or de-chlorinators.

Allow the water to settle for 24 hours to let the chlorine evaporate naturally before introducing to the aquarium.

16 Warranty

Red Sea Aquarium Products Limited Warranty.

Thank you for purchasing a Red Sea Aquarium System (hereinafter “the Product”).

Red Sea Aquatics (UK) Ltd. (hereinafter “Red Sea”) warrants the product against manufacturer’s defects in material and workmanship for 24 months from your date of purchase. If you register your product, Red Sea will provide you with an additional 12 months of warranty on the glass aquarium only (but not on any other components of the Product). In jurisdictions where warranty terms conditioned on registration are prohibited by law, registration is not required, and you shall receive the additional 12 months warranty on the glass aquarium even if you do not register.

You can register your Product at www.redseafish.com

The warranty provided by Red Sea is NOT TRANSFERABLE AND IS LIMITED TO THE ORIGINAL PURCHASER. If the Product is eligible under this warranty, Red Sea will either repair the Product free of charge (not including shipping costs) with new or refurbished parts or replace the Product with a new or refurbished Product at Red Sea’s sole discretion.

This warranty DOES NOT COVER normal wear and tear, or items that have a limited natural life or are consumable, such as, but not limited to impellers, sponges, filter socks, and “O” rings. It also DOES NOT COVER damage which occurs in shipment and/or failures or defects resulting from use outside the normal, and/or natural disasters, accidents, power line surges, neglect, improper installation, operation or maintenance, servicing of the Product conducted by anyone other than an authorized

Red Sea service center, or failure to use or assemble the Product in accordance with any instructions provided (in the Product manual or otherwise) or the technical and/or safety standards of the country in which the Product is used. Additionally, any modification of the Product other than by an authorized Red Sea service center will invalidate this warranty.

In order to effect this warranty, please contact your local service center. For your convenience, details of authorized service centers can be found on Red Sea’s website. Proof of purchase will be required before warranty performance is rendered.

The sole and exclusive remedy against Red Sea shall be for the repair or replacement of the Product as provided above. NO OTHER REMEDY (including but not limited to, incidental or consequential damages for lost profits, lost sales, or any other incidental or consequential loss) shall be available. Some jurisdictions do not allow the exclusion of incidental or consequential damage, so the above limitation may not apply to you. To the full extent allowed by applicable law, in no event shall Red Sea be liable for any loss or damage to aquatic life, and/or damage to other property and/or individuals resulting from the use of the Product or arising out of any breach of this warranty. All implied warranties are excluded to the full extent allowed by applicable law, and to the extent that they may not be excluded, are limited to the applicable warranty period set forth above. Some jurisdictions do not allow limitations on how long an implied warranty or condition lasts, so this limitation may not apply to you. The express warranties made in this warranty are exclusive and may not be altered, enlarged, or changed by any distributor, dealer, or other person, whatsoever.

USA

Some states do not allow the exclusion or limitation of incidental or consequential damages, or limitations on how long an implied warranty lasts, so the above exclusion or limitations may not apply.

Registrieren

Sie Ihr System online,
um Ihre Garantie zu verlängern

Registrieren Sie Ihr neues System und genießen
Sie zusätzlich zur standardmäßigen 2-Jahres-
Systemgarantie eine kostenlose, erweiterte
1-Jahres-Garantie auf das Aquarienglas*:

www.redseafish.com/de/register



Red Sea MAX[®] NANO G2

Plug & Play[®] Open Top Korallenriffkomplettsystem

Installations- & Bedienungsanleitung



MAX® NANO G2 Installations- & Bedienungsanleitung

MAX® NANO G2 Components	32
Sicherheit	34
Standort.....	35
Auspacken des MAX® NANO G2	36
Bauteile	37
Montage	38
Installation der Bauteile im hinteren Filterbereich	40
Installation der automatischen Nachfüllanlage	45
Installation der LED Module.....	45
Betrieb der Pumpenschaltbox	47
LED Konfiguration und Programmierung.....	47
Erstbefüllung	48
Betrieb des Eiweißabschäumers.....	49
Allgemeine Wartungsarbeiten am Aquarium	50
Hinzufügen optionaler Geräte	52
Hinweise zur Fehlerbehebung	54
Garantie.....	57

Herzlichen Glückwunsch zum Kauf des Riff-Komplettsystems Red Sea MAX® NANO G2

Das Erleben eines Korallenriffs mit dem Red Sea MAX® bedeutet, dass eine Umgebung geschaffen wird, die speziell auf die Bedürfnisse von Korallen und allen Lebewesen in einem künstlich geschaffenen Riff abgestimmt ist.

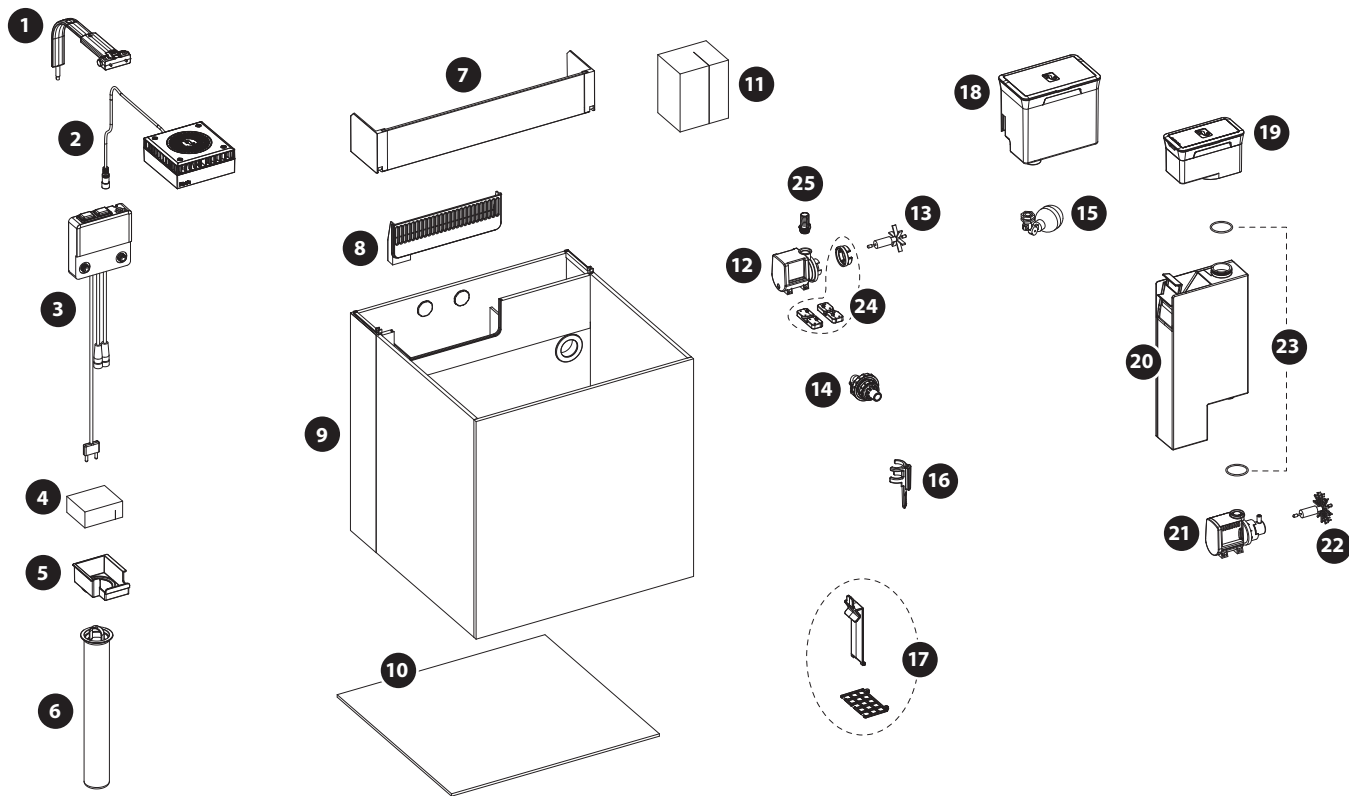
Im Ozean gedeihen Korallenriffe nur dort, wo spezielle physikalische Bedingungen herrschen, dazu gehören ausreichendes Licht, eine geeignete Strömung sowie eine stabile Wassertemperatur und -qualität.

Das Red Sea MAX® ist ein System, das genau die Bedingungen schafft, die Ihnen den Betrieb eines gedeihenden, gesunden Riffs bei sich zu Hause ermöglichen.

Wir hoffen, dass Sie an Ihrem MAX® viel Freude haben und wünschen Ihnen viel Spaß mit Ihrem Riff.

Um in den Genuss von Informationen zu Produkt-Updates und exklusiven Sonderangeboten für registrierte MAX®-Besitzer zu kommen, registrieren Sie bitte Ihr MAX® online unter redseafish.com.

MAX NANO G2 Components



	Component	MAX NANO G2 Cube	MAX NANO G2 Peninsula	MAX NANO G2 XL
1	ReefLED 50 Befestigungsarm	R40600	R40600	R40600
2	ReefLED 50	ReefLED 50	ReefLED 50	ReefLED 50
3	Pumpenschaltkasten	R40588	R40588	R40588
4	Abschäumerauslassschwamm	R40605	R40605	R40624
5	Filterbeutelhalter	R40623	R40623	R40623
6	Mikron-Filterbeutel	R40580 (225 micron)	R40580 (225 micron)	R40580 (225 micron)
		R40581 (100 micron)	R40581 (100 micron)	R40581 (100 micron)
7	Technikbecken-Blende	R40613	R40613	R40614
8	Oberflächenabzug	R40612	R40612	R40612
9	Glasaquarium	R40615	R40616	R40617
10	EVA-Matte	R40598	R40604	R40618
11	Blasenfallenschwamm	R40606	R40606	R40607
12	Umwälzpumpe	R40589	R40589	R40608
13	Laufrad RS Flow	R50423 (50hz)	R50423 (50hz)	R50403 (50hz)
		R50424 (60hz)	R50424 (60hz)	R50404 (60hz)
14	Pumpenauslassdüse	R40590	R40590	R40590
15	Schwimmventil	R40599	R40599	R40599
16	ReefATO+ Sensorhalter	R40621	R40621	R40621
17	Medienhalter	R40622	R40622	R40622
18	Automatische Nachfüllanlage	R40594	R40594	R40611
19	MAX NANO Abschäumerbehälter	R40593	R40593	R40518
20	MAX NANO Abschäumerkörper	R40626	R40626	R40610
21	MAX NANO Abschäumerpumpe	R40591	R40591	R40609
22	Laufrad NANO Skimmer	R50425 (50hz)	R50425 (50hz)	R50405 (50hz)
		R50426(60hz)	R50426(60hz)	R50406 (60hz)
23	MAX NANO Abschäumer Dichtungsringset	R40579	R40579	R40579
24	Umwälzpumpe Füße & Einlass	R40619	R40619	R40620
25	Umwälzpumpe Schlauchtülle	R40625	R40625	R40625

1 Sicherheit

Bitte lesen und befolgen Sie alle hier aufgeführten Sicherheitshinweise.

GEFAHR: Zur Vermeidung von Stromschlägen sollten Sie beim Umgang mit einem nassen Aquarium besonders vorsichtig sein. Versuchen Sie in keiner der im Folgenden beschriebenen Situationen, Reparaturen selber durchzuführen, sondern geben Sie das Gerät zur Reparatur an eine autorisierte Kundendienststelle oder entsorgen Sie das Gerät.

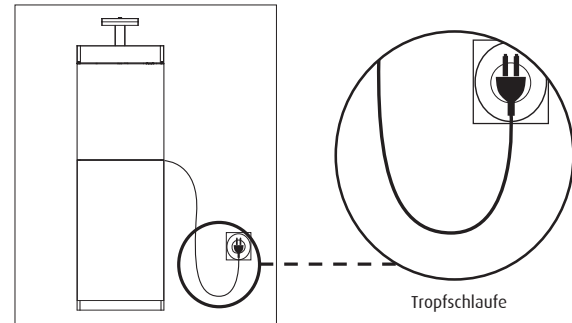
WARNUNG: Zum Schutz vor Verletzungen sollten grundlegende Sicherheitsvorkehrungen beachtet werden, einschließlich der folgenden Hinweise:

- Betreiben Sie kein Gerät mit beschädigtem Netzkabel oder Netzstecker oder wenn dieses nicht richtig funktioniert oder heruntergefallen oder anderweitig beschädigt ist.
- Um ein Nasswerden des Gerätesteckers oder der Steckdose zu vermeiden, stellen Sie Gestell und Becken des Aquariums neben einer Wandsteckdose so auf, dass kein Wasser auf die Steckdose oder den Netzstecker tropfen kann. Der Benutzer sollte eine „Tropfschleife“ (Abbildung 1) für jedes Netzkabel bilden, das ein Gerät des Aquariums mit der Steckdose verbindet. Die „Tropfschleife“ ist der Teil des Netzkabels, der unterhalb der Steckdose oder der Anschlussdose liegt. Verwenden Sie nötigenfalls ein Verlängerungskabel um zu vermeiden, dass Wasser am Kabel entlangläuft und mit der Steckdose in Berührung kommt. Wenn der Stecker oder die Steckdose nass wird, Netzkabel NICHT aus der Steckdose ziehen. Schalten Sie die Sicherung oder den Sicherungsschalter des Stromkreises für das Gerät aus. Ziehen Sie erst danach das Netzkabel des Gerätes heraus und überprüfen Sie die Steckdose auf das Vorhandensein von Wasser. Wenn das Gerät von Kindern oder in der Nähe von Kindern benutzt wird, müssen diese gut beaufsichtigt werden.

- Zur Vermeidung von Verletzungen keine Teile berühren, die sich in Bewegung befinden.
- Ziehen Sie immer den Netzstecker eines Gerätes, wenn dieses nicht in Gebrauch ist, bevor Sie Teile anbringen oder entfernen und vor dem Reinigen. Ziehen Sie nie am Netzkabel, um den Netzstecker aus der Steckdose zu lösen. Fassen Sie den Netzstecker an und ziehen sie ihn heraus.
- Benutzen Sie ein Gerät immer nur für den vorgesehenen Verwendungszweck. Die Verwendung von Anbauteilen, die nicht vom Gerätehersteller empfohlen oder verkauft werden, kann zu einem unsicheren Betriebszustand führen.
- Installieren oder lagern Sie das Gerät nicht dort, wo es der Witterung oder Temperaturen unter dem Gefrierpunkt ausgesetzt ist.
- Vergewissern Sie sich, dass ein an ein Becken montiertes Gerät sicher installiert ist, bevor Sie es in Betrieb nehmen.

Lesen und befolgen Sie alle wichtigen Hinweise auf dem Gerät.

HINWEIS: Ein Kabel, das für eine geringere Ampere- oder Leistung (Watt) als die des Gerätes ausgelegt ist, kann sich überhitzen. Achten Sie darauf, dass das Kabel so verlegt wird, dass man nicht darüber stolpern oder es versehentlich herausziehen kann.



2 Standort

Der erste Schritt beim Aufbau des MAX® NANO G2 ist die Wahl eines geeigneten Standortes.

Stromversorgung

Stellen Sie sicher, dass die für das MAX® NANO G2 verwendete Steckdose genau für das System ausgelegt ist (75W), sowie für jegliche Zusatzgeräte (z.B. Heizer), die sie anzubringen planen. Die Steckdose muss geerdet und mit einem Stromkreis verbunden sein, der durch eine Fehlerstromschutzeinrichtung (RCD, FI-Schalter) oder einen Fehlerstromschutzschalter (RCCB), geschützt ist.

Fußboden

Der Fußboden direkt unter den Füßen muss für eine statische Belastung von mindestens 14 kg/cm² ausgelegt sein.

Raumtemperatur

Die Wahl des Standortes spielt eine wichtige Rolle für die Aufrechterhaltung der richtigen Temperatur. Wir empfehlen Ihnen die Aufrechterhaltung einer konstanten und angenehmen Umgebungstemperatur von 22°C.

Vermeiden Sie es, das Becken vor Klimaanlage und Heizlüfter oder in direktes Sonnenlicht zu stellen. Ein gut belüfteter, mäßig heller Raum ist der beste Standort für ein Aquarium.

Zugangsmöglichkeiten

- **Rückseite:** Stellen Sie sicher, dass hinter dem MAX® ein Freiraum von mindestens 10 cm für die für ein Kühlgerät (nicht im Lieferumfang enthalten) benötigte Luftzirkulation und für eine allgemein bequeme Bedienung verbleibt.
- **Seiten hinten:** Sorgen Sie für genügend Platz (ca. 60 cm) zwischen beiden Seiten des Aquariums und benachbarten Wänden oder Möbelstücken, damit Sie Zugang zur Beckenrückseite haben. Diesen benötigen Sie für die regelmäßige Wartung der Überlaufkämme, des Eiweißabschäumers, der Strömungspumpen und der Filtermedien, sowie für das Anbringen bzw. Entfernen von Stromkabeln an der Pumpenschaltbox.

Allgemeine Überlegungen

Stellen Sie sicher, dass die Umgebung des Aquariums wasserfest ist und stellen Sie alle Gegenstände fort, die durch Wasser Schaden nehmen oder vom Salz angegriffen werden könnten.

3 Auspacken des MAX® NANO G2 Systems

Bitte lesen Sie diesen Abschnitt sorgfältig durch, bevor Sie beginnen.

1. Entfernen Sie die Schaumstoffmatte und die Schutzverpackung von der Oberseite des Aquariums.
2. Entfernen Sie Zubehörteile und jegliches Verpackungsmaterial, welches innerhalb vom Aquarium verpackt ist.
3. Öffnen Sie den Pappkarton mit den Bauteilen und nehmen Sie alle darin befindlichen Teile für die spätere Montage heraus.

So packen Sie das Aquarium aus

ACHTUNG: Das Aquarium hat einen reinen Glasboden. Bereiten Sie, bevor Sie das Aquarium aus dem Karton nehmen, eine glatte, weiche, saubere und ebene Unterlage zum Abstellen vor, die das Gewicht halten kann. Legen Sie die Schaumstoffmatte darauf.

Greifen Sie, mit je einer Person an jeder Kartonseite, die Oberkante des Aquariums, heben Sie es vorsichtig aus der Box, und stellen Sie es auf den vorgesehenen Untergrund.

Ungefähres Gewicht des Glasaquariums (leer)		
Modell	metrisch (kg)	Britisch (lb)
MAX NANO G2 Cube	23	51
MAX NANO G2 Peninsula	27	60
MAX NANO G2 XL	38	84

HINWEIS: Es wurden alle Vorsichtsmaßnahmen getroffen, damit das MAX® NANO G2-Aquariensystem sicher beim Empfänger ankommt. Es ist jedoch ratsam, ein neues Glasaquarium vor der Installation auf Beschädigungen oder undichte Stellen zu untersuchen.

Platzieren Sie das Aquarium an einer geeigneten Stelle und füllen Sie das Becken und den rückseitigen Filterbereich bis zu einer Höhe von 2,5 cm unterhalb des oberen Glasrandes mit Wasser. Warten Sie 15 Minuten und untersuchen Sie das befüllte Becken auf undichte Stellen. Entleeren Sie das Becken, bevor Sie es bewegen, indem Sie das Wasser mit einem Schlauch absaugen.

4 Spezifikationen

Hauptbestandteile des MAX® NANO G2 System	MAX® NANO G2 Cube	MAX® NANO G2 Peninsula	MAX® NANO G2 XL
Glasaquarium Typ MAX® NANO G2 mit rückseitigem Filterbereich	75L	100L	125L
Eiweißabschäumer	NANO G2		NANO XL
Strömungspumpen	1 x 950lph		1 x 1550lph
MAX® NANO G2 Unterschrank (optional)	Selbstmontage		
Pumpenschaltbox	✓		
ReefLED® 50	50W		
Filterschwämme	2		
Aktivkohle im Kordelzugbeutel	100g		
Filterblende	✓		
Automatische Nachfüllanlage	✓		
Abnehmbarer Filterbeutelhalter (NanoMat-bereit)	✓		
Mikron-Filterbeutel	✓		
ReefATO+ bereiter Sensorhalter	✓		

5 Montage

Es ist wichtig, bei der Montage in der angegebenen Reihenfolge vorzugehen, ehe Sie das System mit Wasser befüllen.

HINWEIS: Die Bezeichnungen Links und Rechts beziehen sich auf die Betrachtung von der Aquarienvorderseite aus.

5.1 Montage des Unterschranks

WARNUNG: Wenn Sie keine Erfahrung im Zusammenbau von Möbeln zur Selbstmontage haben, sollten Sie sich qualifizierte Hilfe suchen.

Genauere Beschreibungen für die vollständige Montage der Aquarien der Baureihe MAX® NANO G2 finden Sie in den grafischen Aufbauanleitungen, die mit den Aquarien geliefert werden.

Für den Aufbau benötigen Sie einen passenden Kreuzschlitzschraubenzieher. **Verwenden Sie keinen elektrischen Schraubendreher.**

Einstellung des Drucktüröffners

Wenn Sie das Ende der Drucktüröffner-Einheit 1,5 mm andrücken, lässt sie den Einstellstab 5 cm nach vorne in die Position „geöffnet“ springen.

Wird der Drucktüröffner-Stab zurück ins Innere des Unterschranks gedrückt, rastet er in der Position „geschlossen“ ein.

Schließen Sie die Tür durch sanften Druck gegen den Drucktüröffner.

Drücken Sie erneut im Bereich des Drucktüröffners gegen die geschlossene Tür. Die Tür sollte dann aufspringen. Wenn die Tür nicht aufspringt, passen Sie die Position des Drucktüröffners durch eine halbe

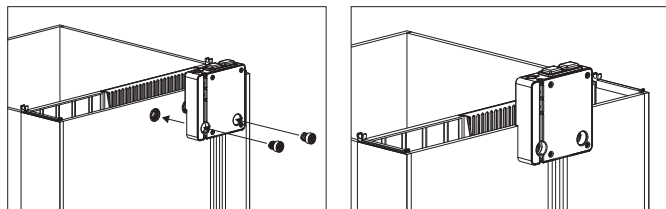
Drehung des vorderen Endes des Einstellstabs gegen den Uhrzeigersinn an. Wiederholen Sie diese Feineinstellung, bis ein Druck gegen die Tür ein Öffnen derselben bewirkt.

Stellen Sie den Unterschrank nach dem Zusammenbau an die vorgesehene Stelle.

5.2 Pumpenschaltbox

Richten Sie die Pumpenschaltbox an den Löchern in der Rückwand des Aquariums aus und verschrauben diese an der richtigen Position mit den mitgelieferten Schrauben.

HINWEIS: Schließen Sie das Stromkabel der Pumpenschaltbox nicht an das Stromnetz an, bis Sie dazu aufgefordert werden.



5.3 Platzierung des Aquariums

Um das Glasaquarium auf den Unterschrank zu heben, werden 2 Personen benötigt. Die Oberkante des Unterschranks ist etwa 86 cm vom Boden entfernt. Vergewissern Sie sich, dass die Personen, die das Aquarium anheben, körperlich für eine solche Tätigkeit geeignet und über

Methoden des richtigen Hebens schwerer Gegenstände unterrichtet sind.
Das Aquarium muss zum Heben von unten gegriffen werden.

Legen Sie die Schaumstoffmatte, auf die Oberseite des Unterschranks oder auf eine andere Oberfläche, auf die Sie das Aquarium stellen möchten. Die Schaumstoffmatte ist kleiner als das Aquarium. Platzieren Sie das Aquarium bündig mit der Rückseite der Matte und 3 mm von jeder der Seiten.

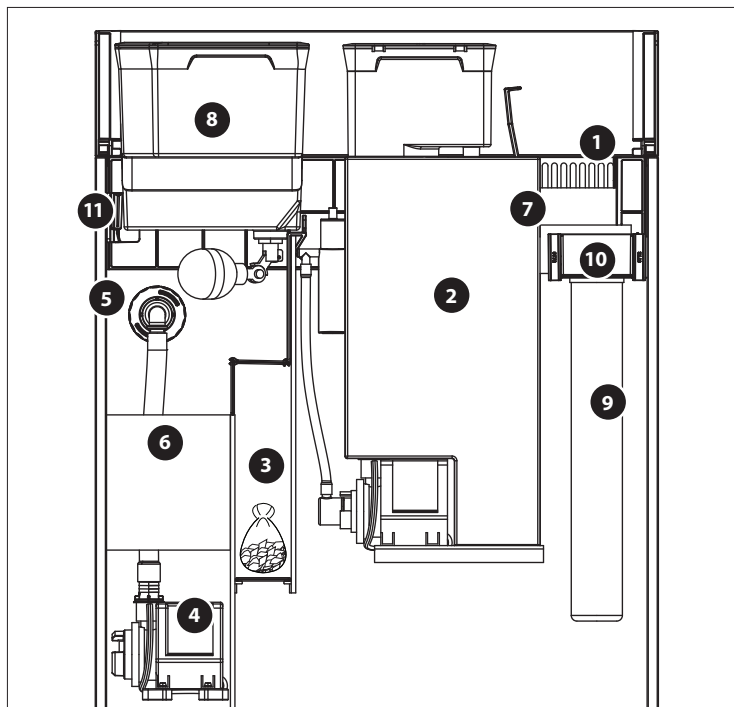
Stellen Sie vor dem Anheben des Aquariums den montierten Unterschrank an seine endgültige Position (siehe Abschnitt „Standort“ weiter oben) und stellen Sie das Glasaquarium darauf.

Das Glas sollte hinten und an den Seiten bündig mit dem Schrank liegen.

Prüfen Sie, nachdem Sie das Aquarium korrekt auf dem Unterschrank ausgerichtet haben, ob sich der Unterschrank dabei bewegt hat und korrigieren Sie gegebenenfalls noch einmal seine Position.

6 Installation der Bauteile im hinteren Filterbereich

1. Abnehmbarer Überlaufkamm
2. Eiweißabschäumer
3. Aktivkohle
4. Strömungspumpe
5. Pumpen-Auslassdüse
6. Schwamm zum Zurückhalten von Luftblasen
7. Schwamm am Abschäumerauslass
8. Automatische Nachfüllanlage
9. Micron Filterbeutel
10. Abnehmbarer Mikron-Filterbeutelhalter
11. ReefATO+ Halter



Montageskizze der rückseitigen Filterbereich-Bauteile für das MAX® NANO G2.

Übersicht über den Filter und das Strömungssystem im MAX® NANO G2 Filterbereich

Das Filterbecken in der hinteren Rückwand des MAX® NANO G2 hat ein komplettes mehrstufiges Filtersystem, welches aus einem „REEF-SPEC®“ Eiweißabschäumer, Aktivkohle und mechanischen Filtermaterialien besteht. Die Wasserzirkulation im Aquarium und Filterbecken beträgt etwa das 12fache des gesamten Wasservolumens pro Stunde mit Zwangsdurchströmung durch die mechanischen und chemischen Filtermedien während der Eiweißabschäumer das Wasser wie für SPS Korallen benötigt etwa 3 mal pro Stunde behandelt. Das Wasser fließt über einen lösbaren Oberflächenkamm aus dem Aquarium ins Filterbecken, so dass das mit organischen Substanzen beladene Wasser von der Oberfläche des Hauptaquariums in das Filterbecken geleitet wird. Von der Oberfläche wird das Wasser sofort durch einen Mikron Filterbeutel geleitet, bevor es in die Abschäumerkammer gelangt. Wenn der Filterbeutel nicht ausreichend oft gereinigt wird und kein Wasser mehr durchlässt, wird das Wasser umgeleitet, ohne den Gesamtbetrieb des Filterbeckens zu beeinflussen. Nach der Abschäumerkammer wird das Wasser von der sich am Filterbeckenboden befindlichen Umwälzpumpe durch die „REEF-SPEC®“ Aktivkohle und den Blasenstop-Schwamm gezogen, die das gefilterte Wasser durch eine multidirektionale Auslaufdüse zurück in das Aquarium fördert. Wenn die Pumpen in Betrieb sind, wird das Wasser im Aquarium bei etwa 2,5 cm (1 ") unter dem Rand gehalten. Um einen konstanten Wasserstand im System des MAX® NANO G2 zu halten, gibt es eine automatische Nachfüllanlage, die ein 1,5-Liter-Frischwasserreservoir enthält, wodurch die Verdunstung für ca. 2 Tage kompensiert wird. Das Filterbecken wird auch weiterhin effizient laufen, auch nachdem noch etwa 1 zusätzlicher Liter verdunstet ist (mit einem unbedeutenden Anstieg der Salinität). Das heißt, dass MAX® NANO G2 sollte für mindestens 3 Tage laufen, ohne dem System Wasser hinzuzufügen.

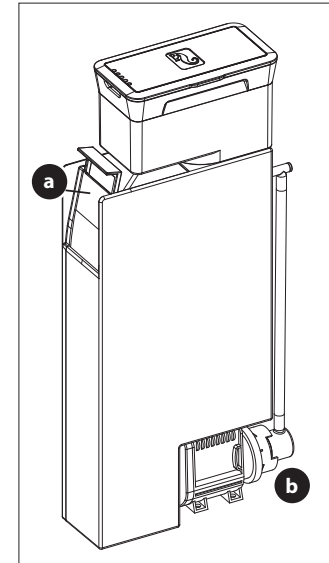
6.1 Eiweißabschäumer:

Die MAX® NANO G2 Eiweißabschäumer besteht aus drei Teilen: Abschäumerkörper, Schaumbecher und Abschäumpumpe.

Machen Sie sich mit der Abschäumpumpe vertraut, indem Sie sie in ihre Einzelteile auseinanderbauen und wieder zusammensetzen. Vergewissern Sie sich, dass die Abdeckung des Pumpen-Gehäuses richtig sitzt und ordnungsgemäß mit dem Bajonett-Ring gesichert ist. Überprüfen Sie vorher, ob Pumpe und Stromkabel unbeschädigt sind.

Diagramm-Legende:

- a. Durchflussregler
- b. Venturi-Einlass
- c. Luftschlauch
- d. kleiner Luftschlauch



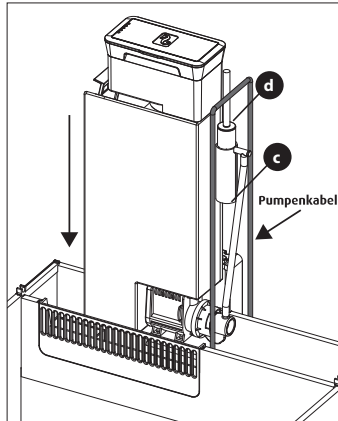
NANO G2 Eiweißabschäumer

Montieren Sie den Eiweißabschäumer wie weiter unten im Diagramm gezeigt.

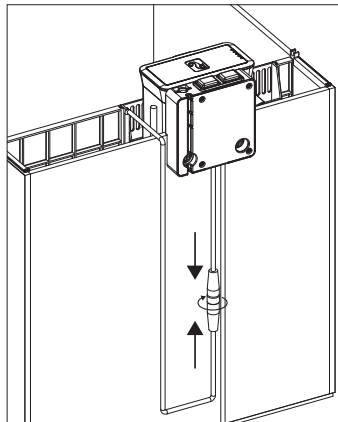
1. Stellen Sie den Durchflussregler auf die niedrigste Position.
2. Verbinden Sie den Luftschlauch des Venturi-Einlasses der

Abschäumerpumpe mit dem Auslass des Schalldämpfers.

3. Verbinden Sie den kleinen Luftschlauch mit dem Einlass des Schalldämpfers.
4. Für den Eiweißabschäumer gibt es ein Luftventil, das auf Wunsch verwendet werden kann. Bringen Sie dieses anfangs nicht an; es soll nur verwendet werden, wenn dies gemäß der Betriebsanleitung weiter unten erforderlich ist.
5. Halten Sie das Pumpenkabel an der Seite des Abschäumers, wie in der Abbildung gezeigt und schieben Sie den Abschäumer in das vorgesehene Fach, so dass der Schalldämpfer gerade eben die Glaswand berührt.
6. Führen Sie das Kabel über die Rückwand und verbinden Sie dieses durch den Stecker mit dem linken Kabel der Pumpenschaltbox.



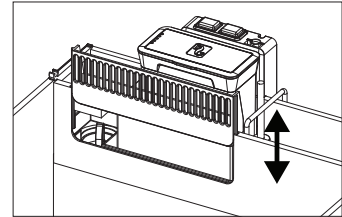
NANO G2 Eiweißabschäumer



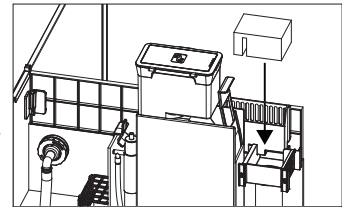
skimmer cable

6.2 Oberflächenabschäumer:

Der abnehmbare Oberflächenkamm wird in der richtigen Position in der Trennwand zwischen dem Aquarium und dem hinteren Filterbecken montiert geliefert. Um diesen zu entfernen ziehen Sie den Kamm einfach nach oben heraus. Beachten Sie, dass der Oberflächenkamm einen Kanal enthält, der das Wasser zum Mikronfilterbeutel führt.

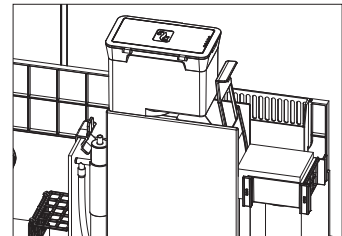


Oberflächenabschäumer / Kamm



6.3 Mikronfilter:

Überprüfen Sie, ob der abnehmbare Filterbeutelhalter korrekt installiert ist und dass der Mikron-Filterbeutel im Filterbeutelhalter installiert ist. Legen Sie den kleinen schwarzen Schwamm darauf. Befestigen Sie den Filterbeutelhalter wie im Diagramm dargestellt so, dass der Schwamm auch die Seiten des Abschäumers berührt.



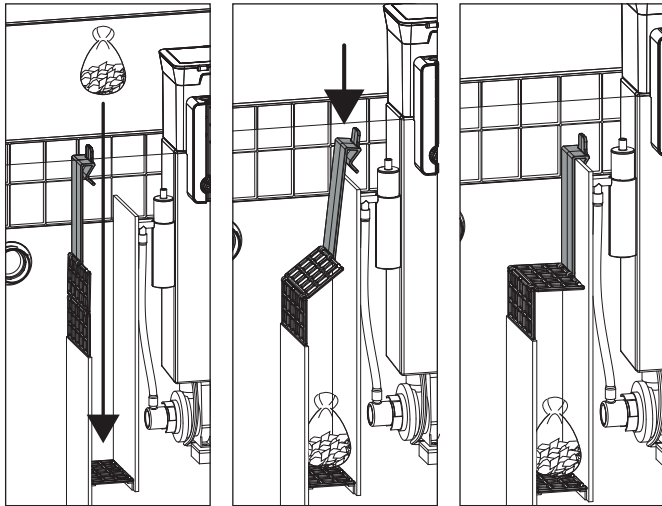
Filterbeutel und -schwamm

HINWEIS: Das MAX® NANO G2 wird mit einem 225 Mikron dünnen Gewebefilterbeutel geliefert (#40580). 100 Mikron Feinfilterbeutel (#40581) sind bei ihrem Red Sea Händler erhältlich.

6.4 Aktivkohle:

Waschen Sie das Kohlefiltermaterial mehrmals unter fließendem Wasser, um restlichen Staub zu entfernen. Es wird empfohlen, es vor der Verwendung 24–72 Stunden lang in Wasser einzuweichen, da sonst die Kohle in den ersten 3 Tagen nach der Einrichtung aufschwimmen und Mikroluftblasen aus den Poren entweichen können.

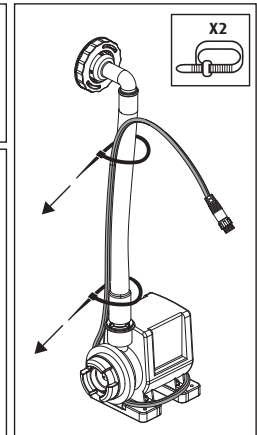
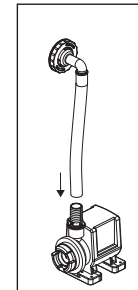
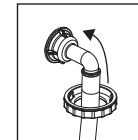
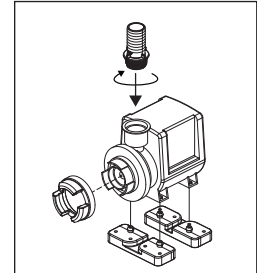
Senken Sie die gewaschene Kohle in die Kammer rechts vom Abschäumer ab, sodass sie auf dem Gitter etwa 30 cm (12 Zoll) unter der oberen Oberfläche des Glases aufliegt. Schließen Sie den Medienhalter, um zu verhindern, dass die Kohle nach oben schwimmt.



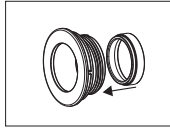
6.5 Strömungspumpen:

Machen Sie sich mit der Strömungspumpe vertraut, indem Sie all ihre Bauteile ab- und wieder anmontieren. Vergewissern Sie sich, dass die Abdeckung des Pumpen-Gehäuses richtig sitzt und ordnungsgemäß mit dem Bajonett-Ring gesichert ist. Schrauben Sie den mitgelieferten Schlauchstutzen an den Pumpenauslass.

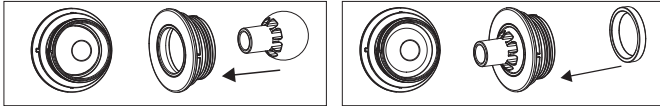
1. Überprüfen Sie vor dem Gebrauch, dass die Pumpe und das Netzkabel nicht beschädigt sind.
2. Drücken Sie den Gummifußeinlass auf die Pumpe und schrauben Sie die Schlauchtülle in den Auslass.
3. Schrauben Sie den Auslass-Bajonettanschluss auf das flexible Rohr und montieren Sie das flexible Rohr so an der Pumpe, dass der Auslasskrümmer senkrecht zur Pumpe steht, wie in der Zeichnung gezeigt.
4. Wickeln Sie das Stromkabel wie abgebildet um die Pumpe und befestigen Sie es mit den mitgelieferten Kabelbindern am flexiblen Rohr.



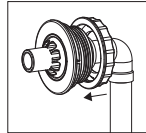
5. Setzen Sie den Augapfelsitz in den Auslasshalter ein, der im Glas befestigt ist. Dieses Teil sitzt fest, so dass es bei Wartungsarbeiten an der Pumpe nicht herausschwimmt, kann aber bei Bedarf zur Reinigung entfernt werden.



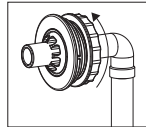
6. Setzen Sie den Augapfelauslass und anschließend die Dichtung in den Auslasshalter ein.



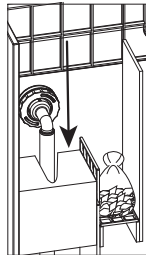
7. Senken Sie die Pumpe in die Pumpenkammer ab, bis sich der Auslasswinkel mit dem Bajonettanschluss gegenüber dem Auslasshalter befindet.



8. Schrauben Sie das Bajonett an den Halter, bis es fest sitzt. Überprüfen Sie, ob sich der Augapfel frei drehen lässt, aber sicher in der gewünschten Position gehalten wird. Stellen Sie die Düse zunächst nach unten, um Spritzer beim ersten Einschalten der Pumpe zu vermeiden.



9. Führen Sie das Kabel über die Rückwand und verbinden Sie es mit dem rechten Kabel des Pumpenschaltkastens, indem Sie die Anschlussmutter festziehen.

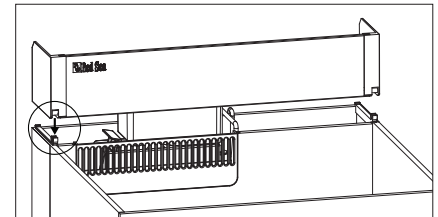
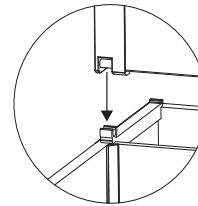


10. Wenn die Umwälzpumpe befestigt ist, schieben Sie den schwarzen Filterschwamm in die Pumpenkammer, sodass der Schlitz im Schwamm mit dem flexiblen Rohr übereinstimmt.

6.6 Filterblende:

Bringen Sie die Filterblende an der vorderen Wand vom hinteren Filterbereich an. Richten Sie die Halter aus und drücken Sie diese dann vorsichtig in die Halteklipse.

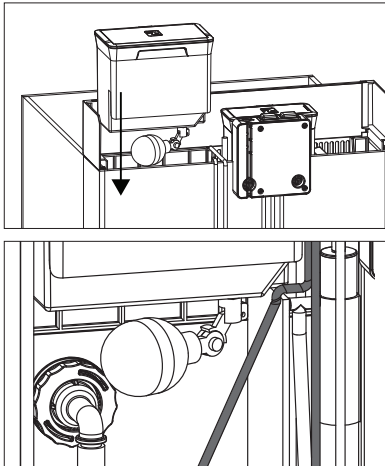
Zum Umklappen ziehen Sie die Blende nach vorne bis sie auf dem Aquarium liegt.



7 Automatische Nachfüllanlage (ATO):

Die MAX® NANO G2 Nachfüllanlage wird komplett montiert geliefert und es sollte keine Änderung zum Betrieb dieser erforderlich sein. Stellen Sie vor Inbetriebnahme jedoch sicher, dass das Schwimmerventil im richtigen Winkel steht, wie in der Abbildung dargestellt. Halten Sie die Strömungs- und Abschäumerpumpenkabel an der Seite der Pumpenschaltbox und schieben Sie die Nachfüllanlage in die richtige Position an der Rückwand des Schachtes. Stellen Sie sicher, dass das Kabel der Strömungspumpe sich in der Nut am Boden des Vorratsbehälters befindet.

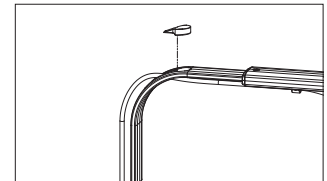
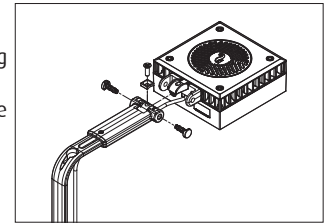
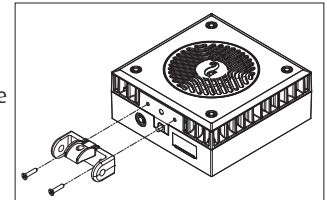
HINWEIS: Füllen Sie kein Osmosewasser in die Nachfüllanlage, bevor Sie die richtige Füllmenge des Systems erreicht haben.



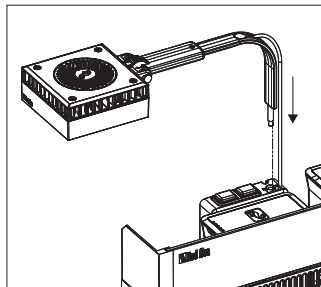
8 Installation der LED-Beleuchtungsmodule

Die ReefLED® 50 für das MAX® NANO G2 wird durch ein Drehgelenk am Montagearm befestigt. Der Montagearm wird am Aquarium befestigt, indem dieser in das dafür vorgesehene Loch im oberen Teil der Pumpen Schaltbox gesteckt wird. Die komplette LED Beleuchtung kann zum Aquascaping oder für Wartungsarbeiten am hinteren Filterabteil, insbesondere beim Herausnehmen des Abschäumers, von einer Seite zur anderen gedreht werden.

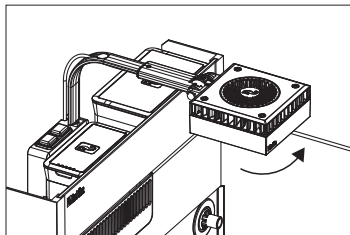
1. Befestigen Sie den Schwenkverbinder mit den mitgelieferten M3 Schrauben wie in der Abbildung dargestellt.
2. Drücken Sie den Schwenkverbinder an der ReefLED auf die Verlängerung des Montagearms. Setzen Sie auf beiden Seiten die Stifte ein, bis diese fest in Position sind. Schrauben Sie dann die Befestigungsschraube in die Oberseite des Verbinders bis die ReefLED sicher befestigt ist.
3. Führen Sie das Kabel durch das Loch in der Rundung des Befestigungsarms und drücken Sie die Abdeckung in Position.



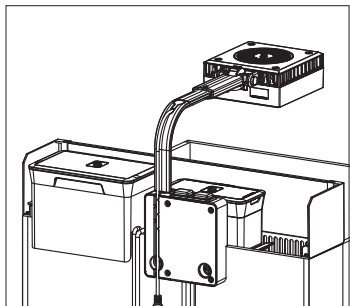
4. Um die LED Halterung an der Schaltbox zu befestigen halten Sie diese so, dass der untere Pin des Montagearms über dem Loch in der Schaltbox sitzt und die LED Einheit zur Seite zeigt, wie in der Abbildung dargestellt. Platzieren Sie das Kabel über der Rückseite des Aquariums.



5. Setzen Sie den Pin des Montagearms in das Loch ein, bis der flache Teil des Arms auf der Pumpenschaltbox aufliegt und drehen Sie den Arm dann in die vordere Position.



Führen Sie das Kabel durch die hintere Aussparung der Pumpenschaltbox. Lösen Sie die Befestigungsschraube an der Oberseite des Schwenkverbinders und passen Sie die Position der ReefLED an, bis diese parallel zur Oberseite des Aquariums ist. Ziehen Sie die Befestigungsschraube dann wieder an. Suchen Sie einen geeigneten sicheren Ort zur



Unterbringung der Stromversorgung, bspw. im Unterschrank.

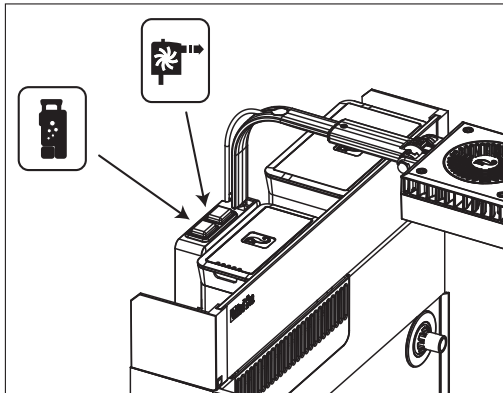
Schließen Sie den Stecker der LED Einheit an das Netzteil an, verbinden Sie dieses jedoch erst mit der Steckdose, wenn Sie die LED Einheit einrichten möchten.

9 Betrieb der Pumpenschaltbox

Die Pumpenschaltbox ist so konzipiert, dass diese die Ein / Aus-Steuerung der Strömungs- und Abschäumerpumpen während Routinetätigkeiten wie der Fütterung oder Wartung einfach ermöglicht.

Stellen Sie sicher, dass die beiden Schalter in der Aus-Stellung sind und stecken Sie das Netzkabel in die Steckdose. Die Pumpen nicht einschalten, bevor beide Pumpen vollständig unter Wasser getaucht sind.

Die Kabelanschlüsse sind so ausgelegt, dass das Durchdringen von Wasser verhindert wird, wenn diese in der vorgesehenen Weise verwendet werden. Die Anschlüsse sind nicht wasserdicht und dürfen nicht in Wasser getaucht werden.



10 LED Einrichtung und Programmierung

Befolgen Sie zum Einrichten und Programmieren der ReefLED® 50 die dem LED Modul beigefügten Anweisungen:

Programmierrichtlinien:

Lichtperiode: Tag / Mondlicht

Die Tageslichtperiode sollte zwischen 8 und 12 Stunden lang sein und darf nicht länger als etwa 9 Stunden bei maximaler Intensität liegen. Korallen und Fische müssen täglich Perioden der Dunkelheit haben. Das Mondlicht sollte auf einen Zeitraum von maximal 4 Stunden begrenzt werden.

Akklimatisierung

Um eine Lichtschock aufgrund der hohen Intensität von LED Leuchten zu verhindern, können wird ein Akklimatisierungszeitraum für neue Systeme oder beim Einbringen neuer Korallen empfohlen.

Die Akklimatisierungsdauer ist je nach Korallenart unterschiedlich, es wird jedoch empfohlen, einen Zeitraum von 8 Wochen bis zum Erreichen der End Einstellungen zuzulassen.

Achten Sie während der Akklimatisierungsphase auf Anzeichen von Stress bzw. eines Lichtschocks wie z.B:

- Aufhellen / Bleichen des oberen Gewebes (das untere Gewebe wird weiterhin Pigmente und Zooxanthellen zeigen).
- Rückzug der Polypen.
- Blasen im Weichgewebe.

Im Falle eines der oben genannten Symptome reduzieren Sie sofort die Akklimatisierungsintensität für ca. 4 Wochen um 20% und erhöhen diese dann um 5% pro Woche, bis die maximale Intensität erreicht ist.

Wenn Sie neue Korallen in ein bereits an die Lichtintensität gewöhntes System einbringen positionieren Sie diese erst auf den unteren Ebenen des Aquariums und bringen sie dann schrittweise über einen Zeitraum von mehreren Wochen an die gewünschte Position.

Achten Sie auf Anzeichen eines Lichtschocks / Stress und stellen Sie eine betroffene Koralle ggf. auf eine niedrigere Ebene zur Erholung zurück.

11 Erstbefüllung

Befolgen Sie die Anleitung zum Anmischen Ihres künstlich hergestellten Meerwassers. Es ist ratsam, Substrat und Lebendgestein vollständig in das Becken zu geben, bevor Sie das Wasser hinzufügen, da die Einrichtung sich erheblich auf das benötigte Wasservolumen auswirkt.

Füllen Sie das Meerwasser in das Hauptbecken, den rückseitigen Filterbereich und den Eiweißabschäumer (damit dieser nicht schwimmt, statt sich mit Wasser zu füllen), bis der Wasserstand die Höhe der Auslassdüsen der Strömungspumpe erreicht hat. Schalten Sie die Abschäumpumpe und die Strömungspumpe ein und fügen Sie dem Aquarium so viel Wasser hinzu, bis der Wasserstand im hinteren Technikbereich ca. 10cm unterhalb der Kante des Aquariums liegt.

HINWEIS: Wenn Sie Ihr Salzwasser für die Erstbefüllung direkt im Aquarium angemischt haben, warten Sie, bis das Salz sich vollständig aufgelöst und das Wasser den gewünschten Salzgehalt und die angestrebte Temperatur erreicht hat, bevor Sie versuchen, die endgültige Wasserhöhe einzustellen.

12 Betrieb des Eiweißabschäumers

Die ständige Veränderung der Dichte des Wassers und der in ihm enthaltenen organischen Materie macht hin und wieder eine Korrektur der Einstellung des Eiweißabschäumers nötig.

Die Beschaffenheit des Schaums, den der Eiweißabschäumer produziert, wird durch ein Heben und Senken der Höhe des Durchflussreglers gesteuert.

Der Schaum bildet sich im oberen Teil des Abschäumerkörpers und steigt, während er sich weiter aufbaut, den Hals des Schaumtopfes hinauf. Stellen Sie den Durchflussregler so ein, dass der Wasserstand im Abschäumerkörper ungefähr bis zum unteren Ende des Abschäumerhalses reicht.

Wenn der Schaum zu trocken ist oder beginnt, sich im unteren Bereich des Abschäumerhalses zu verdichten, heben Sie die Höhe des Durchflussreglers allmählich an, bis Sie die gewünschte Schaumkonsistenz erhalten. Wenn der Schaum zu nass ist, senken Sie die Höhe des Durchflussreglers.

Überabschäumung

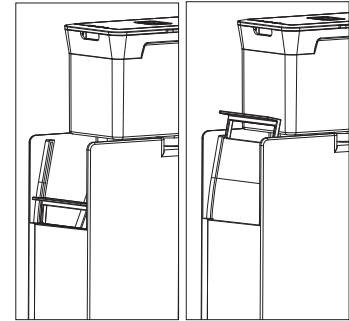
Wasser mit vielen Luftblasen läuft unkontrolliert in den Schaumbecher. Im Falle einer Überabschäumung fließt das überschüssige Wasser durch den oben am Schaumbecher befindlichen Überlauf-Schlitz zurück in den Filterbereich.

Um das Problem der Überabschäumung zu beheben, vergewissern Sie sich, dass der Durchflussregler auf seiner niedrigsten Position steht, setzen Sie das Luftventil oben auf den Lufteinlass-Schlauch und reduzieren Sie die Luftzufuhr, bis der Schaum sich stabilisiert. Steuern Sie den Eiweißabschäumer weiter, indem Sie die Luftzufuhr kontrollieren.

Wenn der Eiweißabschäumer bei voll geöffnetem Luftventil stabil ist, entfernen Sie dieses wieder und steuern Sie den Eiweißabschäumer mit dem Schaumeinsteller.

Neue Eiweißabschäumer oder neue Aquarien

Eiweißabschäumer produzieren Schaum nur dann, wenn das Wasser Eiweißmoleküle enthält, die sich an die Oberfläche von Luftblasen binden und den Blasen die strukturelle Festigkeit verleihen, die sie benötigen, um den Hals des Abschäumers hinaufzusteigen und sich im Schaumbecher zu sammeln. In einem neu eingerichteten Aquarium ist die biologische Belastung gering und die Menge der Eiweißmoleküle unbedeutend.



Neue Eiweißabschäumer benötigen manchmal eine kurze Einlaufphase von einigen Tagen, bevor sie effizient funktionieren. Während der Neutralisierung harmloser chemischer Rückstände, welche die Oberflächenspannung des Wassers beeinflussen, kommt es häufig zu einer Überabschäumung.

Futter und Wasserzusätze

Eiweißabschäumer reagieren sehr empfindlich auf oberflächenaktive Verbindungen wie z.B. Futter und Wasserzusätze, die regelmäßig in das Aquarium gegeben werden. Solche Stoffe können die Schaumproduktion stark beeinflussen und in einigen Fällen eine Überabschäumung verursachen. Schalten Sie den Eiweißabschäumer direkt vor der Zugabe

solcher Mittel ab und lassen Sie ihn danach 30 Minuten abgeschaltet oder so lange, bis er wieder normal Schaum produziert, ohne dass der Durchflussregler verstellt werden muss.

Schaumbecher

Überwachen Sie die Menge der im Schaumbecher angesammelten Flüssigkeit und leeren Sie den Becher regelmäßig. Spülen Sie bei dieser Gelegenheit die Innenseite des Abschäumerhalses zum Säubern mit Wasser, denn die Ablagerung von Materie im Hals beeinträchtigt die Leistung des Abschäumers. Wenn Sie den Schaumbecher mit einem Reinigungsmittel waschen, müssen sie ihn danach gründlich abspülen, bevor Sie ihn wieder am Abschäumer anbringen.

13 Allgemeine Wartungsarbeiten am Aquarium

Der dauerhafte Erfolg Ihres MAX®-Aquariums und die Gesundheit seiner Bewohner hängen von Ihrem Einsatz ab. Eine gründliche Planung sorgt für eine einfachere und schnellere Durchführung der Pflegearbeiten am Riff. So bleibt Ihnen mehr Zeit für das eigentliche Ziel, die Freude an Ihrem Aquarium. Die Pflege des Beckens sollte einem logischen, regelmäßigen Plan folgen. Unterteilen Sie die Aufgaben in täglich, wöchentlich und monatlich durchzuführende Arbeiten, die auch die Überprüfung der Geräte und des Zubehörs, die Fütterung sowie die Messung und Anpassung der Wasserparameter mit einschließen.

Bestimmt werden Sie es als hilfreich empfinden, eine systematische Checkliste der Pflegeaktivitäten anzulegen und ein Tagebuch zu führen, in das Sie die erledigten Aufgaben eintragen. Ihr Tagebuch braucht nicht kompliziert zu sein, Sie müssen nur folgendes nachvollziehen können:

- die Wasserparameter im Aquarium: pH, Salzgehalt, Temperatur, etc.
- das allgemeinen Erscheinungsbild des Beckens und der einzelnen Arten, die darin leben.
- Auswechseln von Zubehörteilen: Datum des Auswechselns von Leuchtmitteln oder des Austausches des Heizers etc.
- Erneuerung der Aktivkohle oder anderer Filtermedien.
- Informationen, die sich auf die einzelnen Tiere beziehen: Wann Sie sie eingesetzt, umgesetzt oder herausgenommen haben, ihre ungefähre Größe, Anzeichen für Stress oder Krankheiten, etc.

Wasserstand

Kontrollieren Sie täglich den Wasserstand in der automatischen Nachfüllanlage und füllen Sie so viel frisches Wasser nach, wie benötigt wird, um Verdunstungsverluste auszugleichen. Wenn das Wasser zu hoch im Aquarium steht, vergewissern Sie sich, dass der Überlauf nicht blockiert ist.

Überlaufkamm

Nehmen Sie mindestens einmal pro Woche den Überlauf ab und säubern Sie diesen, damit das Wasser ungehindert strömen kann und der Wasserstandsunterschied zwischen Aquarium und Filterbereich stabil bleibt. Legen Sie den Überlauf in regelmäßigen Abständen in eine schwach säurehaltige Lösung (Essig, Zitronensäure), bis vorhandene Kalkablagerungen sich aufgelöst haben. Anschließend sorgfältig abwaschen, bevor dieser wieder angebracht wird.

Eiweißabschäumer

Überprüfen Sie die Schaumproduktion im Schaumbecher und stellen Sie den Durchflussregler oder das Luftventil so ein, dass ein stabiler, trockener Schaum gebildet werden kann. Entleeren Sie den Schaumbecher und säubern Sie den Abschäumerhals nach Bedarf.

Pumpen

Überprüfen Sie, ob die Strömungspumpe richtig funktioniert und in die richtige Richtung zeigt. Wenn Sie bemerken, dass die Strömung schwächer wird, überprüfen Sie die Pumpe und die Auslassdüse auf etwaige Verstopfungen (z.B. durch Schnecken, Krebse, Kohlestückchen, etc.).

HINWEIS: Bei Aquarien mit höheren Werten für Kalzium oder Alkalinität sind Wartungsarbeiten häufiger erforderlich.

Reinigung der Pumpen:

- Schalten Sie die Pumpe an der Schaltbox aus, entfernen Sie das Kabel und nehmen Sie die Pumpe aus dem Aquarium.
- Nehmen Sie den Rotor aus dem Gehäuse.
- Säubern Sie alle Teile (das Gehäuse, den Rotor und die Rotorkammer des Motors) mit einem weichen Tuch oder einer weichen Bürste. Legen Sie die Teile zum Entfernen von Kalkablagerungen in eine schwach säurehaltige Lösung (Essig, Zitronensäure), bis die Ablagerungen sich aufgelöst haben.
- Spülen Sie alle Teile gründlich ab, setzen Sie die Pumpe wieder zusammen und stellen Sie sicher, dass alle Rohrleitungen sicher verbunden sind. Setzen Sie die Pumpe zurück in das Aquarium, bevor Sie das Stromkabel wieder an der Stromversorgung anschließen.

HINWEIS: Wenn die Pumpe nach dem Reinigen mechanische Geräusche macht, tauschen Sie den Rotor aus. Der Rotor ist ein Verschleißteil und muss eventuell in regelmäßigen Abständen ausgetauscht werden.

Kontrolle der Wassertemperatur

Um optimale Bedingungen zu erhalten, sollte die Wassertemperatur in einem Riffaquarium stabil innerhalb eines Bereiches von 24-28°C gehalten werden (die Stabilität der Temperatur ist wichtiger als der genaue Wert). Leicht höhere Temperaturen sind für kurze Zeiträume nicht schädlich, solange die Temperaturänderung stetig und nicht auf einmal erfolgt. Kontrollieren Sie die Temperatur mindestens zweimal täglich und achten Sie dabei auf starke Schwankungen.

Vermeiden Sie tagsüber Temperaturunterschiede von mehr als 2°C. Kontrollieren Sie die Temperatur im Aquarium öfter, wenn die Jahreszeiten wechseln und wenn Sie das Haus heizen oder kühlen.

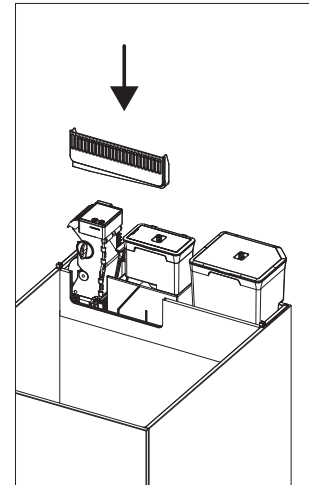
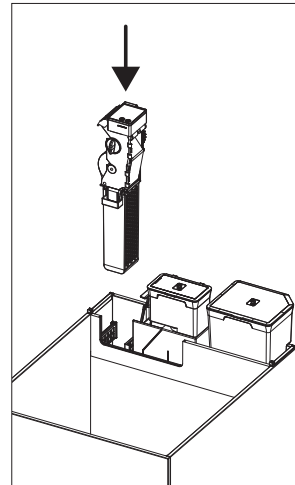
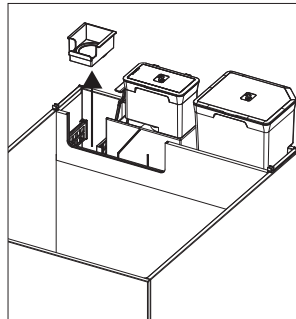
Auswechseln des Kohlefilters

Erneuern Sie den Aktivkohlefilter alle zwei Monate.

14 Hinzufügen optionaler Geräte

NanoMat

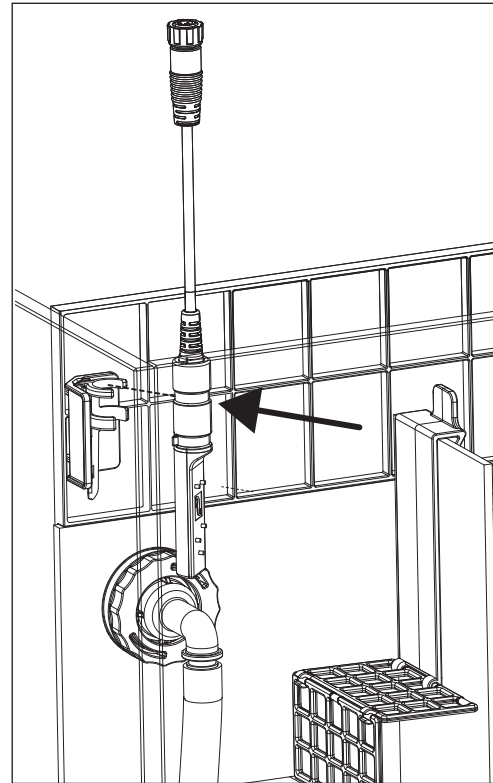
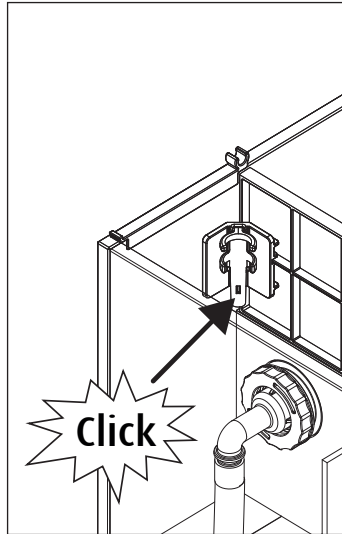
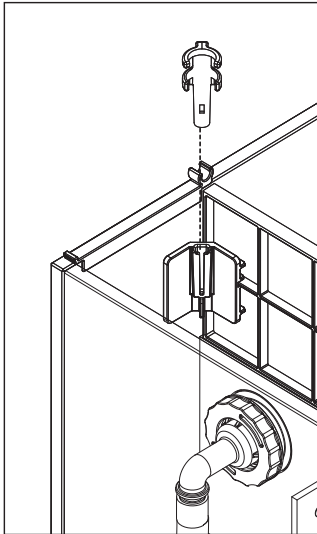
Entfernen Sie den Filterbeutelhalter und befolgen Sie die Installationsanweisungen, die dem NanoMat beiliegen.



ReefATO+

Um den ReefATO+ zu installieren, entfernen Sie das Standard-ATO-System und installieren Sie den ReefATO+-Sensor wie gezeigt in der Halterung.

Befolgen Sie die mit dem ReefATO+ gelieferten Anweisungen, um die Installation abzuschließen.



15 Hinweise zur Fehlerbehebung

F. Mein Aquarium ist neu eingerichtet und der Eiweißabschäumer scheint nicht abzuschäumen

- A. Überprüfen Sie, ob der Salzgehalt des Wassers sich innerhalb des für ein Riffaquarium angezeigten Bereiches befindet. Wenn das Aquarium neu eingerichtet ist oder wenn Sie den Eiweißabschäumer gerade gesäubert haben, spülen Sie ihn noch einmal gründlich mit Wasser ab, bevor Sie ihn wieder in den Filterbereich setzen. Der Abschäumer sollte innerhalb einiger Tage wieder mit der Schaumproduktion beginnen. Eiweißabschäumer reagieren auf Veränderungen der Dichte des Wassers und auf chemische Rückstände aus dem Produktionsprozess. Während diese für das Aquarium harmlos sind, können sie die Effizienz des Abschäumers einige Tage lang beeinträchtigen. Denken Sie daran, dass Ihr Eiweißabschäumer nur dann funktioniert, wenn das Wasser Eiweißmoleküle enthält, da diese sich an die Oberfläche der Luftblasen binden und den Luftblasen die strukturelle Festigkeit geben, die sie benötigen, um im Hals des Abschäumers aufzusteigen und sich im Schaumtopf anzusammeln.

F. Mein Eiweißabschäumer ist neu und produziert viel schwachen, wässrigen Schaum (Überabschäumung).

- A. Die Produktion einer übermäßigen Menge schwachen, wässrigen Schaumes – auch als Überabschäumung bekannt – weist auf das Vorhandensein chemischer Substanzen hin, die vom Abschäumer entfernt werden müssen. Stellen Sie den Durchflussregler auf so niedrig ein, wie es erforderlich ist, um den Wasserstand im Abschäumerhals zu senken. Wenn nötig, setzen Sie das Luftventil oben auf den Lufteinlass-Schlauch und reduzieren Sie die Luftzufuhr, bis eine stabile Schaumproduktion erreicht ist. Es kann einige Tage dauern, bis der Abschäumer alle Chemikalien entfernt hat.

F. Mein Aquarium ist nicht neu eingerichtet und der Eiweißabschäumer produziert keinen Schaum oder zu trockenen Schaum, der sich im Abschäumerhals absetzt.

- A. Während der Einlaufphase ist die Bioladung gering und die Menge an organischer Materie unbedeutend. Wenn Ihr MAX® voll besetzt ist, senken Sie die Höhe des Durchflussreglers so weit wie nötig und öffnen Sie das Luftventil. Kontrollieren Sie den Wasserstand im Filterbereich und füllen Sie ihn bis zur optimalen Höhe auf. Wenn Sie noch immer wenig Schaumproduktion haben, untersuchen Sie den Luftschlauch und den Abschäumer-Einlass auf eventuelle Blockierungen.

F. Mein Eiweißabschäumer ist nicht neu und verursacht eine Überabschäumung nach dem Füttern und/oder der Beimischung von Wasserzusätzen.

- A. Siehe Kapitel 12 (Seite 42) „Futter und Wasserzusätze“ weiter vorne.

F. Der Wasserstand im Aquarium ist zu hoch.

- A. Prüfen Sie, ob der Kamm des Überlaufs frei passierbar oder durch Algen oder Schnecken verklebt ist und säubern Sie ihn wie oben beschrieben.

F. Eine Pumpe läuft nicht mehr oder macht mechanische Geräusche.

- A. Bauen Sie die Pumpe auseinander und reinigen Sie sie wie oben beschrieben.

F. Die Strömungspumpe befördert Mikroblasen in das Aquarium.

- A. Vergewissern Sie sich, ob Sie Verdunstungsverluste mit Süßwasser ausgeglichen haben und ob das Wasser in allen Abteilen des Filterbereiches die richtige Höhe hat und der Oberflächenabschäumer

und die Filtermedien nicht blockiert sind, wodurch die Pumpen sich nicht vollständig unter Wasser befinden. Eine geringe Menge an Mikroblasen ist in Meeresaquarien normal und zu erwarten. Intensive Abschäumung ist wichtig für gute Wasserqualität, weil sie zum einen organischen Schmutz beseitigt, bevor er sich zersetzen kann UND zum anderen ein hohes Redox-Niveau erhält. Dies erreicht man dadurch, dass man das Wasser mit Luft übersättigt, d.h. indem man mehr Gas im Wasser löst, als für die gegebenen Temperatur- und Druckverhältnisse normal ist. Wenn das übersättigte Wasser den Eiweißabschäumer verlässt, „beruhigt“ es sich und setzt das überschüssige Gas in Form von Mikroblasen frei. Bei den MAX®-Aquarien der Baureihe E befinden sich die Strömungspumpen nahe am Boden im hinteren Filterbereich und erfahren eine Vorfiltration durch einen Schwamm, der verhindern sollte, dass Luftblasen in den Pumpeneinlass gelangen. Es kann sein, dass sich die aufgefangene Luft im Schwamm ansammelt. Entfernen Sie den Schwamm, spülen Sie ihn durch und setzen Sie ihn dann wieder in den Filterbereich ein. Mikroblasen könnten entstehen, wenn Sie Leitungswasser mit Wasseraufbereitungsmitteln oder natürliches Meerwasser verwenden. Viele Wasseraufbereitungsmittel sowie einige synthetische Salzmischungen und in natürlichem Meerwasser enthaltene Unreinheiten erhöhen die Oberflächenspannung des Wassers und bewirken, dass ein kleiner Teil der Luftblasen aus der Abschäumerkammer entweicht und durch die Pumpen ausfließt. Wir empfehlen dringend, KEIN Leitungswasser zu verwenden. Wenn Sie es dennoch tun, fügen Sie ihm KEINE Wasseraufbereitungs- oder Entchlorungsmittel bei. Lassen Sie das Wasser stattdessen 24 Stunden ruhen, bevor Sie es in das Aquarium geben, damit sich das Chlor auf natürliche Weise verflüchtigen kann.

16 Garantie

Beschränkte Garantie für Red Sea Aquarienprodukte.

Vielen Dank für den Kauf eines Red Sea Aquarium Systems (im Folgenden „das Produkt,“).

Red Sea Aquatics (UK) Ltd. (im Folgenden „Red Sea „) garantiert das Produkt für 24 Monate ab Kaufdatum gegen Material- und Verarbeitungsfehler des Herstellers. Wenn Sie Ihr Produkt registrieren, gewährt Ihnen Red Sea zusätzliche 12 Monate Garantie nur auf das Glasaquarium (nicht jedoch auf andere Produktbestandteile). In Gerichtsbarkeiten, in denen die von der Registrierung abhängigen Garantiebedingungen gesetzlich verboten sind, ist eine Registrierung nicht erforderlich. Sie erhalten die zusätzliche Garantie von 12 Monaten auf das Glasaquarium, auch wenn Sie sich nicht registrieren.

Sie können Ihr Produkt unter www.redseafish.com registrieren.

Die von Red Sea gewährte Garantie ist NICHT ÜBERTRAGBAR UND AUF DEN URSPRÜNGLICHEN KÄUFER beschränkt. Wenn das Produkt unter diese Garantie fällt, repariert Red Sea das Produkt entweder kostenlos (ohne Versandkosten) mit neuen oder überholten Teilen oder ersetzt das Produkt nach eigenem Ermessen durch ein neues oder überholtes Produkt.

Diese Garantie GILT NICHT für normale Abnutzung oder Gegenstände, die eine begrenzte natürliche Lebensdauer haben oder Verbrauchsmaterialien sind, wie beispielsweise, aber nicht beschränkt auf Laufräder, Schwämme, Filtersocken und „O“-Ringe. Sie DECKT AUCH KEINE Schäden ab, die beim Transport auftreten und/oder Ausfälle oder Mängel, die auf eine Verwendung außerhalb des Normalbetriebs und/oder Naturkatastrophen, Unfälle, Überspannungen der Stromleitung, Vernachlässigung, unsachgemäße Installation, Bedienung oder Wartung, Serviceleistungen an dem Produkt durch eine andere Person als von einem autorisierten Red Sea-Servicezentrum oder Nichteinhaltung

der Verwendung oder Montage des Produkts gemäß den Anweisungen (im Produkthandbuch oder anderweitig) oder den technischen und/oder Sicherheitsstandards des Landes, in dem das Produkt verwendet wird, zurückzuführen sind. Darüber hinaus führt jede andere Modifikation des Produkts als die durch ein autorisiertes Red Sea-Servicezentrum zum Erlöschen dieser Garantie.

Zur Inanspruchnahme dieser Garantie wenden Sie sich bitte an Ihr lokales Servicezentrum. Einzelheiten zu den autorisierten Servicezentren finden Sie auf der Website von Red Sea. Bevor die Garantieleistung erbracht wird, ist ein Kaufnachweis erforderlich.

Das einzige und ausschließliche Rechtsmittel gegen Red Sea besteht in der Reparatur oder dem Austausch des Produkts wie oben beschrieben. Es stehen KEINE WEITEREN RECHTSMITTEL (einschließlich, aber nicht beschränkt auf, Neben- oder Folgeschäden für entgangenen Gewinn, entgangenen Umsatz oder andere Neben- oder Folgeschäden) zur Verfügung. Einige Gerichtsbarkeiten verbieten den Ausschluss von Neben- oder Folgeschäden, so dass die oben genannte Einschränkung möglicherweise nicht für Sie gilt. In dem nach geltendem Recht zulässigen Umfang haftet Red Sea unter keinen Umständen für Verluste oder Schäden an Wasserlebewesen und/oder Schäden an anderen Gegenständen und/oder Personen, die sich aus der Verwendung des Produkts oder aus einer Verletzung dieser Garantie ergeben. Alle stillschweigenden Gewährleistungen sind in dem nach geltendem Recht zulässigen Umfang ausgeschlossen und, soweit sie nicht ausgeschlossen werden können, auf die oben genannte geltende Garantiezeit beschränkt. Einige Gerichtsbarkeiten erlauben keine Einschränkungen der Dauer einer stillschweigenden Garantie oder Bedingung, so dass diese Einschränkung möglicherweise nicht für Sie gilt. Die in dieser Garantie enthaltenen vertraglichen Gewährleistungen sind ausschließlich und dürfen von keinem Vertriebspartner, Händler oder einer anderen Person modifiziert, erweitert oder geändert werden.

Enregistrez

votre aquarium en ligne pour
étendre votre garantie

Enregistrez votre nouvel aquarium en ligne et bénéficiez d'1 an supplémentaire de garantie gratuite sur la cuve, en plus de la garantie standard de 2 ans sur le système.*:

www.redseafish.com/fr/register



Red Sea MAX[®] NANO G2

Systemes récifaux ouverts complets Plug & Play[®]

Manuel d'installation et mode d'emploi



MAX® NANO G2 manuel d'installation et mode d'emploi

MAX® NANO G2 Vue éclatée.....	62
Sécurité.....	64
Emplacement.....	65
Déballage du MAX® NANO G2.....	66
Caractéristiques.....	67
Assemblage.....	68
Installation des éléments de la décantation arrière.....	69
Installation de la Compensation Automatique d'Evaporation.....	74
Installation des modules LED.....	74
Mode d'emploi du boîtier-interrupteur de la pompe.....	75
Réglage et programmation des LED.....	76
Remplissage initial.....	77
Mode d'emploi de l'écumeur.....	77
Maintenance générale de l'aquarium.....	78
Ajout d'équipements optionnels.....	80
Dépannage.....	82
Garantie.....	84

Félicitations pour votre achat du système récifal complet Red Sea MAX® NANO G2.

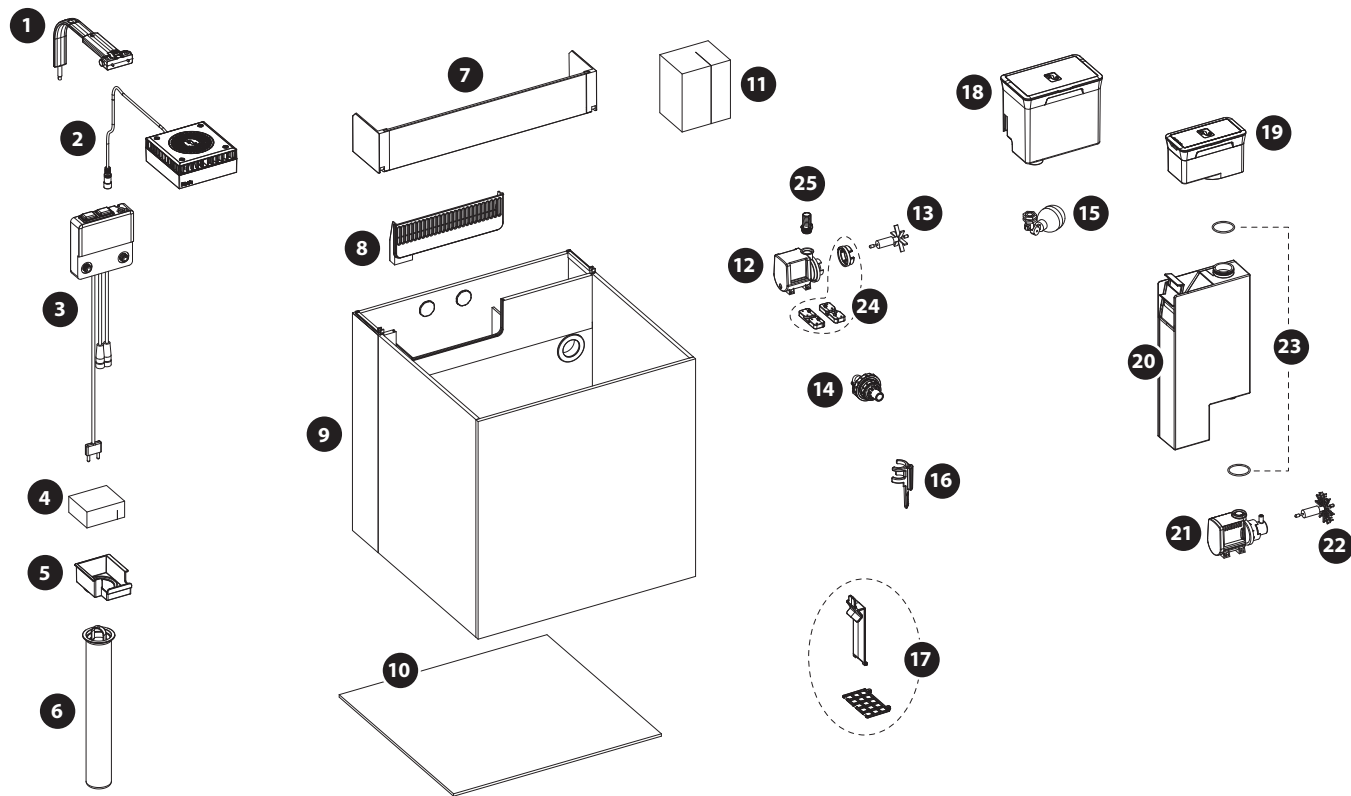
Le Red Sea MAX® NANO G2 a été développé pour vous proposer une expérience récifale spécifiquement adaptée aux besoins des poissons et des coraux en milieu clos. Dans les Océans, les récifs coralliens s'épanouissent uniquement lorsque certaines conditions naturelles sont réunies. Il doit y avoir une lumière suffisante, un bon mouvement d'eau, une température stable et une eau cristalline.

Le système Red Sea MAX® fournit les conditions qui vous permettent de maintenir un récif prospère et en bonne santé dans votre foyer.

Nous espérons que vous profiterez pleinement de votre MAX® NANO G2 et nous vous souhaitons une superbe expérience récifale.

Pour bénéficier des mises à jour et des offres spéciales exclusives aux possesseurs de MAX, n'oubliez pas d'enregistrer votre MAX en ligne sur notre site web : redseafish.com. votre MAX® en ligne sur redseafish.com

MAX NANO G2 Vue écartée



	Composants	MAX NANO G2 Cube	MAX NANO G2 Peninsula	MAX NANO G2 XL
1	ReefLED 50 Potence	R40600	R40600	R40600
2	ReefLED 50	ReefLED 50	ReefLED 50	ReefLED 50
3	Boitier de contrôle intégré	R40588	R40588	R40588
4	Éponge de sortie de l'écumeur	R40605	R40605	R40624
5	Support de micron bag	R40623	R40623	R40623
6	Micron Bag	R40580 (225 micron)	R40580 (225 micron)	R40580 (225 micron)
		R40581 (100 micron)	R40581 (100 micron)	R40581 (100 micron)
7	Ecran de décantation arrière	R40613	R40613	R40614
8	Aspiration de surface	R40612	R40612	R40612
9	Cuve d'aquarium	R40615	R40616	R40617
10	Tapis EVA	R40598	R40604	R40618
11	Eponge piège-bulles	R40606	R40606	R40607
12	Pompe de circulation	R40589	R40589	R40608
13	Rotor RS Flow	R50423 (50hz)	R50423 (50hz)	R50403 (50hz)
		R50424 (60hz)	R50424 (60hz)	R50404 (60hz)
14	Buse de sortie de pompe	R40590	R40590	R40590
15	Flotteur d'ATO	R40599	R40599	R40599
16	Clip pour capteur ReefATO+	R40621	R40621	R40621
17	Grille de filtration	R40622	R40622	R40622
18	Système d'osmolation	R40594	R40594	R40611
19	MAX NANO Godet d'écumeur	R40593	R40593	R40518
20	MAX NANO Corps d'écumeur	R40626	R40626	R40610
21	MAX NANO Pompe d'écumeur	R40591	R40591	R40609
22	Rotor Ecumeur NANO	R50425 (50hz)	R50425 (50hz)	R50405 (50hz)
		R50426(60hz)	R50426(60hz)	R50406 (60hz)
23	MAX NANO Set de joints	R40579	R40579	R40579
24	Silent blocs et entrée pompe de circulation	R40619	R40619	R40620
25	Embout de sortie pompe de circulation	R40625	R40625	R40625

1 Sécurité

Merci de lire et de respecter toutes les consignes de sécurité.

DANGER: Pour éviter tout risque d'électrocution, des précautions particulières doivent être prises pour la manipulation d'un aquarium en eau. Pour toutes les situations suivantes, ne tentez pas vous-même de faire la réparation, retournez l'appareil au service après-vente agréé ou mettez-le au rebut.

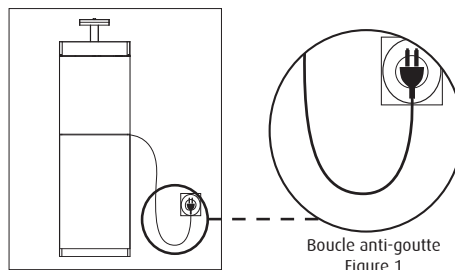
ATTENTION: Pour prévenir toute blessure, des précautions élémentaires de sécurité doivent être respectées :

- Ne faites pas fonctionner un appareil si un cordon électrique ou une prise est endommagé(e), s'il ne fonctionne pas correctement ou s'il est tombé ou endommagé de quelque manière que ce soit. Si le câble électrique est endommagé, il doit être remplacé uniquement par le fabricant.
- Pour éviter que de l'eau n'entre en contact avec la fiche de l'appareil ou la prise, placez l'aquarium à une certaine distance de la prise murale ; vous pouvez ainsi être sûr que l'eau ne s'écoulera pas sur la prise ou la fiche de l'appareil. Il est conseillé de former une boucle « anti-goutte » (Figure 1) pour chaque câble reliant un appareil de l'aquarium à une prise. La boucle « anti-goutte » est la partie du câble qui se trouve sous le niveau de la prise, ou du connecteur. Utilisez une rallonge électrique si nécessaire pour éviter que l'eau ne s'écoule le long du cordon et n'entre en contact avec la prise. Si de l'eau entre en contact avec la prise ou la fiche, **NE DÉBRANCHEZ PAS** le câble. Déconnectez le fusible ou le disjoncteur qui contrôle l'alimentation électrique de l'appareil. Débranchez alors l'appareil et examinez-le pour essayer de détecter la présence d'eau dans la prise.

- Pour éviter tout risque de blessure, ne touchez jamais des pièces en mouvement.
- Débranchez toujours l'appareil de son alimentation quand il n'est pas utilisé, avant d'insérer ou de retirer certains de ses éléments, ou avant de le nettoyer. Ne tirez jamais directement le câble pour débrancher l'appareil de son alimentation. Débranchez exclusivement l'appareil en tirant sur la fiche.
- N'utilisez pas l'appareil pour un autre usage que celui auquel il est destiné. L'utilisation de produits accessoires non recommandés ou vendus par le fabricant peut être dangereuse.
- N'installez pas/ne stockez pas l'appareil à un endroit où il sera exposé aux intempéries, ou si les températures risquent de descendre au-dessous de 0 °C.
- Assurez-vous que tout appareil installé sur l'aquarium est bien sécurisé avant de le faire fonctionner.

Lisez et respectez toutes les informations importantes concernant l'appareil.

REMARQUE: Si le câble n'est pas dimensionné correctement pour les ampères ou watts spécifiés pour cet appareil, il risque de surchauffer. Veillez à bien positionner le câble d'alimentation pour éviter qu'il ne fasse trébucher quelqu'un ou qu'il ne puisse être tiré/débranché par mégarde.



Boucle anti-goutte
Figure 1

2 Emplacement

La première étape dans l'installation du MAX® NANO G2 est de trouver un emplacement approprié.

Alimentation électrique

Assurez-vous que l'alimentation électrique utilisée pour le MAX® NANO G2 soit suffisante pour le système (75W), plus divers matériels additionnels (chauffage) que vous souhaitez y ajouter. La source de courant doit être reliée à la terre et connectée à un circuit protégé par un disjoncteur différentiel.

Sol

Le sol directement sous les pieds doit être à niveau et capable de soutenir une charge statique d'au moins 14kg/cm².

Température ambiante

Le choix de l'emplacement est important pour le maintien d'une température correcte. Nous vous recommandons de garder une température ambiante de 22°C. Evitez de placer l'aquarium devant une climatisation, sorties de chauffage ou au soleil direct. Une pièce bien ventilée et à luminosité modérée est l'emplacement idéal pour un aquarium.

Accessibilité

- **Arrière** : assurez-vous qu'il y ait au moins 10cm de vide derrière le MAX® NANO G2 pour garantir une circulation d'air suffisante pour refroidir et faciliter l'ensemble des opérations.
- **Côtés** : assurez-vous qu'il y ait un espace suffisant (approximativement 60cm) entre les côtés de l'aquarium et les murs ou meubles adjacents afin d'accéder à la décantation arrière de l'aquarium. Ceci est nécessaire pour la maintenance régulière de l'écumeur de surface, l'écumeur, la pompe de circulation, le média de filtration ainsi que l'installation/retrait des câbles au boîtier d'interrupteurs.

Considérations générales

Assurez-vous que l'espace entourant l'aquarium soit résistant à l'eau et pensez à retirer tout ce que l'eau peut endommager ou qui peut être corrodé par le sel.

3 Déballage du MAX® NANO G2

Lisez attentivement cette section avant de procéder.

1. Retirez le tapis de mousse et l'emballage autour du dessus de l'aquarium.
2. Retirez les composants et l'ensemble des matériaux d'emballage situés à l'intérieur de l'aquarium..
3. Ouvrez la boîte accessoire et retirez tous les morceaux pour un assemblage ultérieur.

Retrait de l'aquarium

Avec une personne de chaque côté de la boîte, saisissez le bord supérieur de l'aquarium, soulevez délicatement et placez-le à l'endroit voulu.

ATTENTION : la vitre inférieure de l'aquarium est à nu. Avant de retirer l'aquarium de la boîte, préparez une surface lisse, douce et plate qui peut supporter son poids et placez le tapis de mousse dessus.

Poids approximatif de l'aquarium (vide)

Modèle	Métrique (kg)	Impérial (lb)
MAX NANO G2 Cube	23	51
MAX NANO G2 Peninsula	27	60
MAX NANO G2 XL	38	84

REMARQUE : Toutes les précautions ont été prises pour assurer l'arrivée sans danger du système MAX® NANO G2. Cependant, il est recommandé lors de l'installation d'un aquarium en verre d'inspecter pour un quelconque dégât ou fuite.

Placez l'aquarium à un emplacement adéquat et remplissez-le et la décantation arrière jusqu'à environ 2,5cm en dessous du haut de la vitre. Laissez l'eau 15 minutes et surveillez s'il fuit.

Siphonnez toute l'eau avant de le déplacer.

4 Caractéristiques

Composants principaux du système MAX® NANO G2	MAX® NANO G2 Cube	MAX® NANO G2 Peninsula	MAX® NANO G2 XL
Aquarium type MAX® NANO G2, décantation arrière intégrée	75L	100L	125
Ecumeur (dans décantation arrière)	NANO		NANO XL
Pompe de circulation	1 x 950 L/h		1 x 1550lph
Meuble MAX® NANO G2 (optionnel)	À monter		
Boîtier-interrupteur pour pompe	✓		
ReefLED® 50	50W		
Eponges de filtration	2		
Charbon actif avec sac	100g		
Panneau cache-décantation	✓		
Compensation Automatique d'Evaporation	✓		
Support amovible de micron bag (NanoMat Ready)	✓		
Micron Bag	✓		
Clip pour capteur ReefATO+ Ready	✓		

5 Assemblage

Procédez à l'assemblage et l'installation de tous les composants dans l'ordre décrit ci-après avant d'ajouter de l'eau au système.

REMARQUE : les termes Droite et Gauche dans ce manuel correspondent à lorsque vous êtes face à l'aquarium.

5.1 Assemblage du meuble

ATTENTION : Si vous êtes inexpérimenté dans la construction de meubles en kit, cherchez de l'assistance correctement qualifiée.

Des instructions détaillées pour l'assemblage du meuble du MAX® NANO G2 peuvent se trouver sur le manuel graphique.

L'assemblage du meuble nécessite l'utilisation d'un tournevis cruciforme classique. N'utilisez pas un tournevis électrique

Ajustement du système d'ouverture de la porte « Pousser Pour Ouvrir » (PPO)

Presser de 1,5mm l'extrémité de la pièce PPO fera sortir le loquet de 5cm en position ouverte.

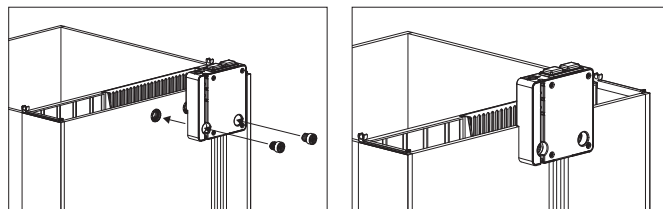
Pousser le loquet du PPO à l'intérieur du meuble le bloquera en position fermée.

Après avoir assemblé la porte du meuble, assurez-vous que le PPO soit en position fermée et permet les charnières souples de fermer complètement la porte. Avec la porte fermée, pressez la porte à l'emplacement du PPO. La porte devrait s'ouvrir. Si la porte ne s'ouvre pas, ajustez la position du PPO en tournant la partie avant du loquet dans le sens antihoraire d'un demi-tour. Répétez cet ajustement jusqu'à ce qu'appuyer sur la porte active le PPO. Après l'assemblage, placez le meuble à l'emplacement désiré.

5.2 Boîtier-interrupteur pour pompe

Alignez le boîtier-interrupteur avec les trous situés sur la vitre arrière de l'aquarium et fixez-le en position avec les vis fournies. N'attachez pas le bras de fixation de l'éclairage à cette étape.

REMARQUE : Ne branchez pas le câble d'alimentation du boîtier-interrupteur à votre source d'alimentation avant qu'il ne vous le soit demandé.



5.3 Placement de l'aquarium

Lever l'aquarium en verre sur le meuble requiert 2 personnes. Le haut du meuble est à environ 86cm du sol. Assurez-vous que toute personne portant l'aquarium ait une condition physique adéquate pour ce genre d'opération et connaisse les méthodes correctes pour porter des objets lourds. L'aquarium doit être porté par le bas.

Placez le tapis en mousse sur le dessus du meuble ou toute autre surface qui supportera l'aquarium. Le tapis de mousse est plus petit que l'aquarium. Placez le verre en affleurement avec l'arrière du tapis et à 3mm des côtés.

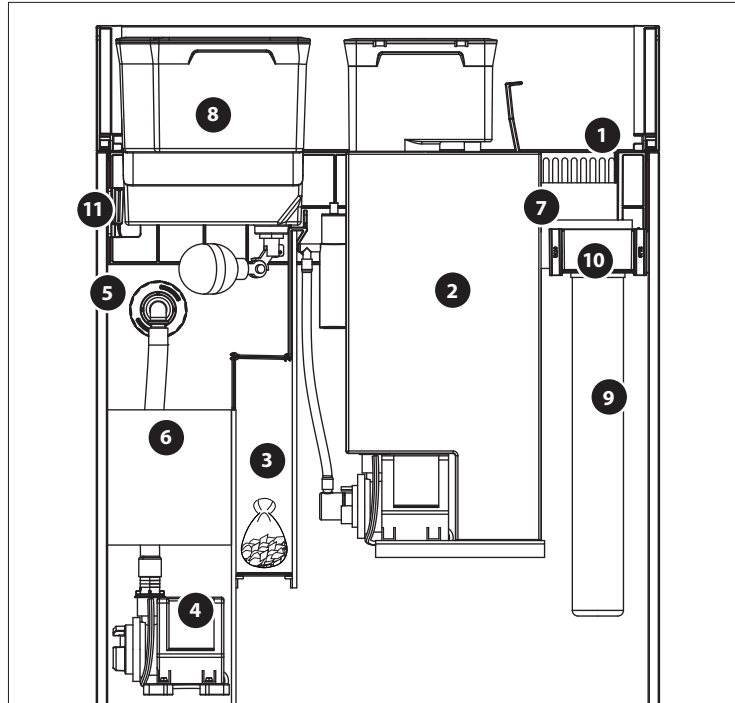
Avant de lever l'aquarium, placez le meuble monté à sa position finale (voir « emplacement » précédemment) et placez au-dessus l'aquarium en verre.

L'arrière et les côtés en verre doivent affleurer les bords arrière et latéraux du dessus de meuble.

Une fois l'aquarium correctement aligné avec le meuble, vérifiez que le meuble n'a pas bougé. Si nécessaire, réajustez la position du meuble.

6 Installation des composants dans la décantation arrière

1. Ecumeur de surface
2. Écumeur
3. Charbon actif
4. Pompe de circulation
5. Buse de rejet de la pompe
6. Mousse anti-bulles
7. Eponge de sortie d'écumeur
8. Compensation automatique d'évaporation
9. Filtre Micron bag
10. Support de micron bag amovible
11. Support ReefATO+



Positionnement des composants dans la décantation arrière du MAX® NANO G2

Vue générale du système de filtration et de circulation du MAX® NANO G2

La décantation arrière du MAX® NANO G2 présente un système de filtration multi-étapes complet comprenant un écumeur REEF-SPEC®, charbon actif et matériaux de filtration mécanique.

La circulation de l'eau dans l'aquarium et la décantation est d'environ 12 fois le volume total d'eau par heure avec un passage forcé à travers les médias de filtration mécanique et chimique tandis que l'écumeur traite l'eau 3 fois par heure environ.

L'eau passe de l'aquarium à la décantation via une surverse détachable qui dirige la charge organique de l'eau de la couche superficielle de l'aquarium à la décantation arrière.

L'eau est directement conduite depuis la surverse vers un filtre micron bag avant d'entrer dans le compartiment de l'écumeur. Si le filtre micron bag n'est pas nettoyé suffisamment souvent et se colmate, l'eau évitera le filtre micron bag sans affecter le fonctionnement général de la décantation arrière.

Après le compartiment de l'écumeur, l'eau passe activement à travers le charbon REEF-SPEC® et la mousse filtrante antibulles grâce à la pompe de circulation située en bas de la décantation qui renvoie l'eau filtrée dans l'aquarium grâce à une buse de sortie multidirectionnelle. Lorsque les pompes fonctionnent, le niveau d'eau doit être maintenu à approximativement 2,5cm en dessous du bord.

Afin de maintenir un niveau d'eau constant, le système MAX® NANO G2 dispose d'une Compensation Automatique d'Evaporation avec un réservoir de 1,5 litres d'eau douce suffisant pour compenser environ 2 jours d'évaporation. La décantation arrière continuera à fonctionner correctement malgré une évaporation de 1 litre, au prix d'une hausse significative de la salinité. Le MAX NANO G2 peut donc fonctionner au minimum 3 jours sans ajouter d'eau au système.

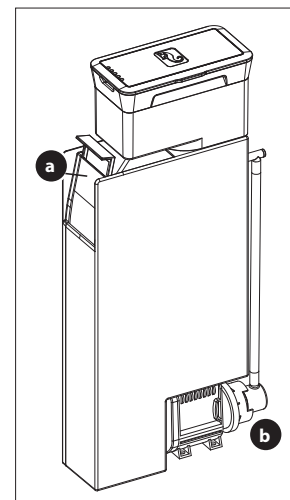
6.1 Écumeur :

L'écumeur MAX® NANO G2 comprend 3 parties : le corps de l'écumeur, godet de récupération et la pompe.

Familiarisez-vous avec la pompe de l'écumeur en démontant et remontant toutes les pièces. Assurez-vous que la protection de la chambre du rotor soit correctement positionnée et sécurisée par la bague. Avant utilisation, vérifiez que la pompe et le câble ne soient pas endommagés.

Légende du schéma :

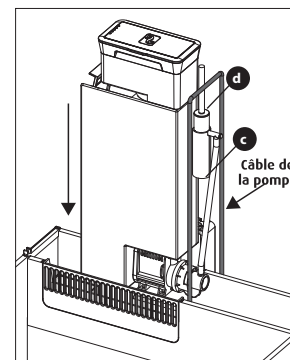
- a. Ajusteur d'écume
- b. Entrée venturi
- c. Tuyau à air
- d. Petit tuyau à air



NANO G2 écumeur

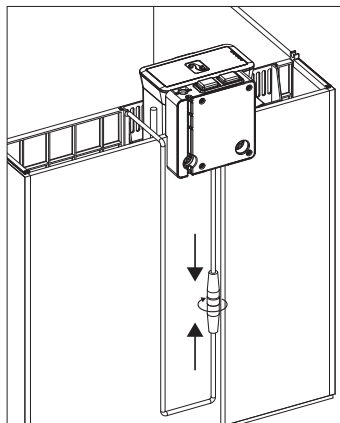
Assemblez l'écumeur comme indiqué sur le schéma.

1. Positionnez l'ajusteur d'écume à sa position la plus basse.
2. Connectez le tuyau à air de l'entrée venturi de la pompe à la sortie du silencieux.
3. Connectez le petit tuyau à air à l'entrée du silencieux.



NANO G2 écumeur

- Vous trouverez un robinet à air optionnel pouvant être utilisé avec l'écumeur. Ne le mettez pas au début, il ne doit être utilisé que si cela est nécessaire comme décrit dans les instructions d'utilisation.
- Maintenez le câble sur le côté de l'écumeur, comme montré sur le schéma et glissez l'écumeur dans le compartiment à écumeur afin que le silencieux touche la paroi en verre.
- Orientez le câble vers la paroi arrière et connectez-le au câble gauche du boîtier-interrupteur de pompe en tenant l'embout de connection.

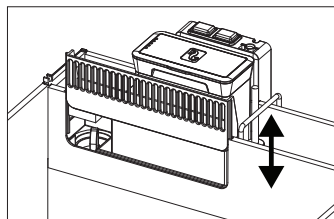


Câble de l'écumeur

6.2 Ecumeur de surface :

La surverse amovible est fournie assemblée à la position correcte dans la paroi de séparation entre l'aquarium et la décantation arrière. Pour la retirer, soulevez-la simplement verticalement.

Remarquez que la surverse inclut une gouttière qui dirige l'eau vers le filtre micron bag.

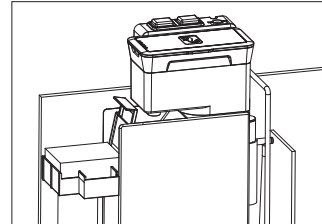
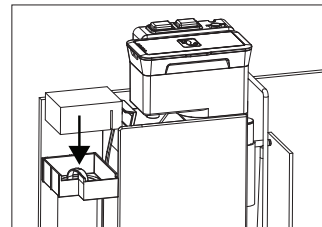


Surverse

6.3 Filtre micron bag :

Vérifiez que le support amovible de micron bag est correctement installé et que le micron bag est bien installé dans son support.

Placez la petite éponge noire sur le support de micron bag comme indiqué sur l'illustration, de sorte que l'éponge soit également en contact avec le côté de l'écumeur.



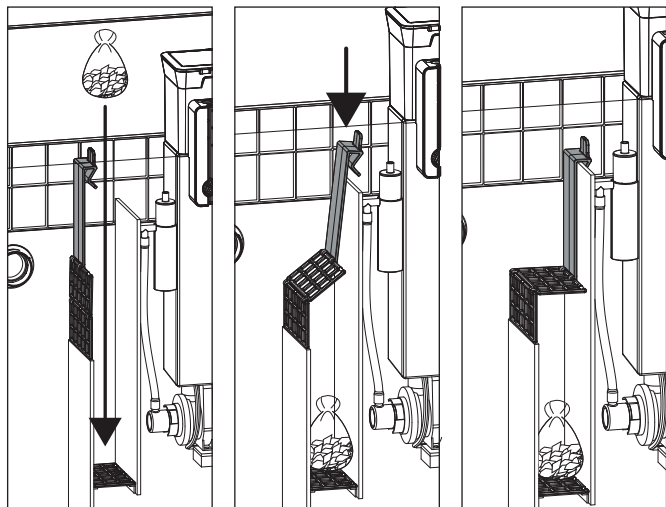
Filtre micron bag et éponge

REMARQUE: le MAX® NANO G2 est fourni avec un filtre micron bag de 225micron (#40580). Des filtres micron bag de 100microns (#40581) sont disponibles chez les revendeurs Red Sea.

6.4 Charbon actif :

Lavez le charbon plusieurs fois à l'eau courante pour éliminer les poussières résiduelles. Il est recommandé de le faire tremper dans l'eau pendant 24 à 72 heures avant de l'utiliser, sinon, pendant les trois premiers jours suivant l'installation, le charbon peut remonter à la surface et libérer les microbulles contenues dans ses pores.

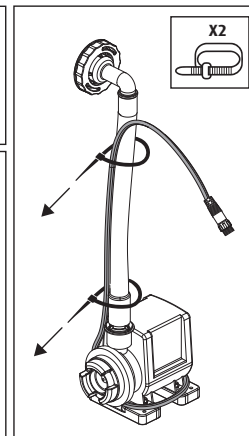
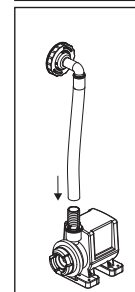
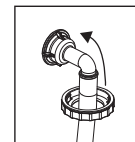
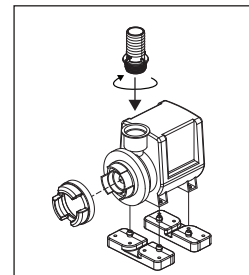
Placez le charbon lavé en bas du compartiment à droite de l'écumeur de manière à ce qu'il repose sur la grille située à environ 30 cm sous la partie haute de la vitre. Fermez la grille de filtration pour empêcher le charbon de remonter à la surface.



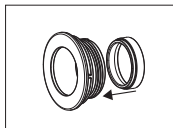
6.5 Pompe de circulation :

Familiarisez-vous avec la sortie multidirectionnelle comme montré sur les illustrations. Familiarisez-vous avec la pompe de circulation en démontant et remontant l'ensemble des pièces qui la composent. Assurez-vous que la protection de la chambre du rotor soit correctement positionnée et sécurisée par la bague de serrage et que le réglage de flux soit ouvert au maximum. Vissez le raccord fileté fourni à la sortie de la pompe.

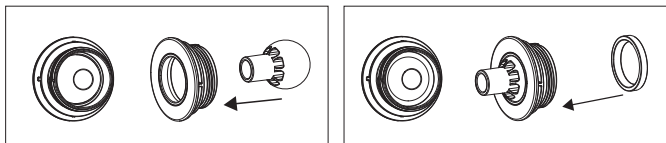
1. Avant toute utilisation, vérifiez que la pompe et le câble d'alimentation ne sont pas endommagés.
2. Placez les silent blocs et l'entrée de la pompe et vissez l'embout du tuyau dans la sortie.
3. Insérez la buse de sortie sur le tuyau flexible et raccordez le tuyau flexible à la pompe de manière à ce que le coude de sortie soit perpendiculaire à la pompe, comme indiqué sur le schéma.
4. Enroulez le câble d'alimentation autour de la pompe comme indiqué et fixez-le au tuyau flexible à l'aide des colliers de serrage fournis.



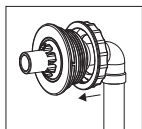
5. Insérez la fixation de la buse multidirectionnelle dans le support de sortie qui est fixé dans le verre. Cette pièce est serrée de manière à ne pas flotter lors de l'entretien de la pompe, mais elle peut être retirée si nécessaire pour le nettoyage.



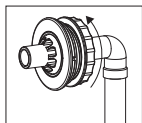
6. Insérez la sortie de la buse multidirectionnelle suivie du joint dans le support de sortie.



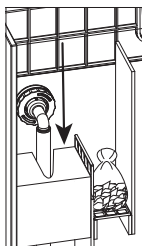
7. Placez la pompe au fond de son compartiment jusqu'à ce que le coude de sortie soit en face de la fixation de sortie.



8. Vissez l'écrou sur le support jusqu'à ce qu'il soit bien serré. Vérifiez que la buse multidirectionnelle tourne librement mais qu'elle est bien maintenue dans la position souhaitée. Positionnez d'abord la buse vers le bas pour éviter les éclaboussures lorsque la pompe est mise en marche pour la première fois.



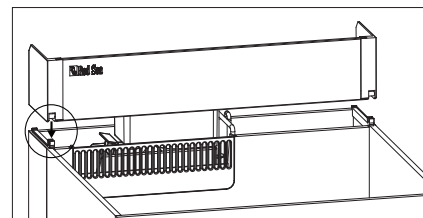
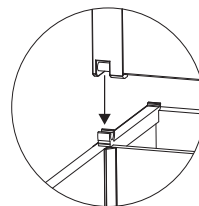
9. Faites passer le câble par la paroi arrière et connectez-le au câble droit du boîtier de contrôle de la pompe en serrant l'écrou du connecteur.



10. Une fois la pompe de circulation en place, enfoncez l'éponge filtrante noire dans le compartiment de la pompe en passant le tuyau flexible dans la fente de l'éponge.

6.6 Ecran cache-décantation :

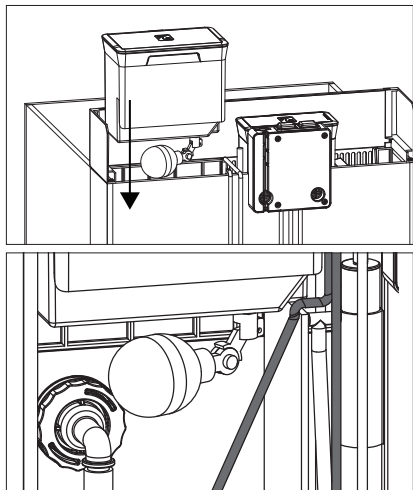
Placez l'écran de décantation au-dessus de la paroi de la décantation. Alignez les charnières sur les clips et clipsez l'écran de décantation dessus. Pour l'abaisser, tirez le haut de l'écran de décantation vers l'avant jusqu'à ce qu'il se cale sur le haut de la cuve.



7 Compensation Automatique d'Evaporation (CAE)

La CAE du MAX® NANO G2 est fournie assemblée et ne nécessite pas d'ajustement avant son installation sur le système. Vérifiez cependant que la valve flottante soit positionnée à l'angle correct comme sur le schéma. Tenez les câbles des pompes de circulation et de l'écumeur à côté du boîtier-interrupteur et glissez la CAE en position sur la vitre arrière de la décantation. Assurez-vous que le câble de la pompe de circulation soit placé dans la cavité en bas du réservoir.

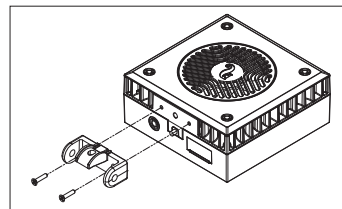
REMARQUE: N'ajoutez pas d'eau osmosée dans la CAE avant d'avoir le volume correct d'eau de mer dans le système.



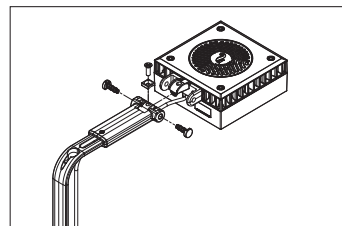
8 Installation du module LED

La ReefLED® 50 du MAX® NANO G2 est fixée sur la potence grâce à une articulation pivotante. La potence est fixée à l'aquarium par le trou prévu à cet effet en haut du boîtier de contrôle de la pompe. Le bras de la LED peut effectuer une rotation d'un côté à l'autre pour faciliter le Reefscaping et la maintenance de la décantation arrière, en particulier lors du retrait de l'écumeur.

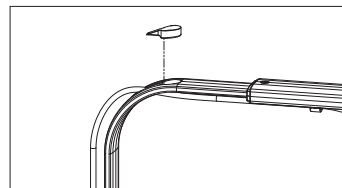
1. Utilisez les vis M3 fournies, Fixez l'articulation pivotante comme indiqué sur le schéma.



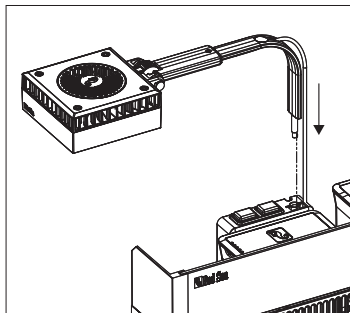
2. Enfoncez l'articulation pivotante du ReefLED dans l'extension de la potence. Insérez fermement les taquets de connexion dans chaque extrémité. Serrez la vis de fixation sur le dessus du connecteur jusqu'à ce que le ReefLED soit sécurisé.



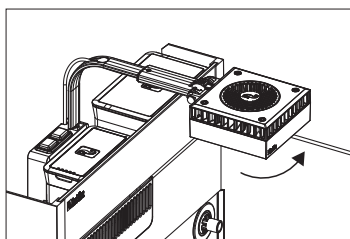
3. Passez le câble par le trou de la potence et pressez ensuite le bouchon passe-câble.



4. Pour fixer la potence de la LED au boîtier de contrôle, tenez-la de façon à ce que l'axe en bas de la potence soit au-dessus du trou du boîtier de contrôle et que la LED soit sur le côté comme sur le schéma. Passez le câble derrière l'aquarium

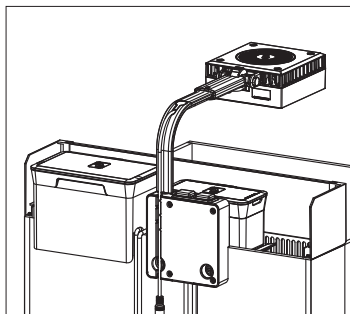


5. Enfoncez l'axe dans le trou et quand la partie plate de la potence touche le boîtier de contrôle de la pompe, tournez la potence vers l'avant.



Insérez le câble dans la rainure prévue à l'arrière du boîtier. Trouvez un emplacement sûr pour placer le boîtier d'alimentation, par exemple dans le meuble.

Connectez le connecteur DC de l'unité LED au boîtier d'alimentation mais ne branchez pas l'alimentation à votre prise murale avant d'être prêt à installer le module LED.

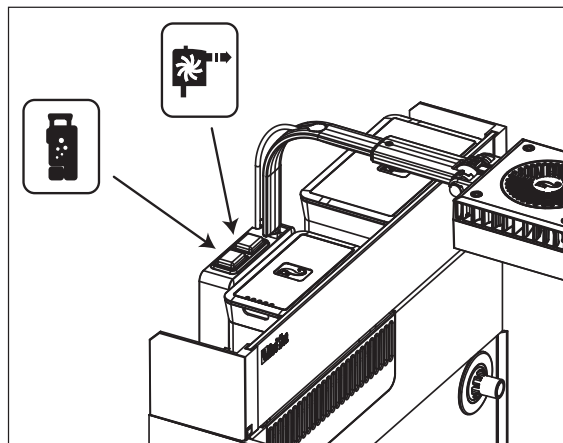


9 Mode d'emploi du boîtier-interrupteur de la pompe

FR

Le boîtier-interrupteur de la pompe est conçu pour permettre un contrôle marche/arrêt facile des pompes de circulations et de l'écumeur durant les activités routinières comme le nourrissage ou la maintenance.

Assurez-vous que les 2 interrupteurs soient en position Arrêt et branchez le câble d'alimentation à votre prise murale. N'allumez pas les pompes avant qu'elles ne soient toutes les 2 submergées. Les connecteurs de câble sont conçus pour éviter toute pénétration d'eau lorsqu'ils sont correctement utilisés. Les connecteurs ne sont pas étanches et ne doivent pas être plongés dans l'eau.



10 Réglage et programmation de la LED

Pour régler et installer la ReefLED® 50, veuillez vous référer au mode d'emploi fourni avec le module LED :

Conseils de programmation :

Photopériode: Jour/Moonlight

La photopériode en journée devrait se situer entre 8 et 12 heures sans dépasser 9 heures à l'intensité maximale. Les coraux et les poissons doivent avoir des périodes quotidiennes d'obscurité. La période Moonlight devrait être limitée à 4 heures maximum.

Acclimatation

Pour prévenir toute photo-inhibition due à la haute intensité des éclairages LED, une période d'acclimatation est recommandée pour les nouveaux systèmes ou quand on introduit de nouveaux coraux.

L'acclimatation variera selon le type des coraux, il est toutefois recommandé de mettre en place une période de 8 semaines pour les nouvelles installations.

Pendant la période d'acclimatation, surveillez tout signe de stress ou de photo-inhibition tels que :

- blanchiment de la partie supérieure des tissus (la partie inférieure contiendra toujours des pigments et des zooxanthelles).
- rétractation des polypes.
- bulles de gaz dans les tissus mous.

En cas où vous observeriez un de ces symptômes, réduisez immédiatement l'intensité de l'acclimatation de 20% pendant au moins 4 semaines puis remontez de 5% chaque semaine jusqu'à atteindre l'intensité maximale.

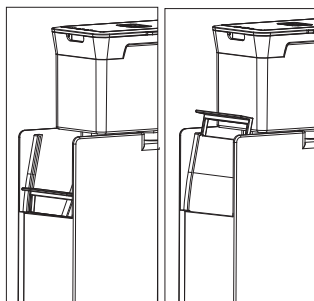
Quand vous introduisez de nouveaux coraux dans des systèmes déjà acclimatés, commencez par les positionner en bas du bac et montez-les jusqu'à leur position définitive durant plusieurs semaines. Continuez à observer pour déceler tout signe de stress ou de photo-inhibition et si nécessaire remplacez les coraux affectés en bas du bac pour qu'ils se remettent.

11 Remplissage initial

Suivez les instructions pour mélanger votre eau de mer artificielle. Il est conseillé de placer le substrat ou les roches vivantes avant d'ajouter l'eau car cela peut affecter significativement le volume total d'eau requis.

Ajoutez l'eau de mer dans la cuve principale, la décantation arrière et directement dans l'écumeur (pour éviter qu'il ne flotte) jusqu'à ce que l'eau atteigne le niveau de l'embout de rejet de la pompe de circulation. Allumez la pompe de l'écumeur et la pompe de circulation et ajoutez de l'eau supplémentaire pour que le niveau d'eau dans la décantation soit 10cm en dessous du bord de l'aquarium.

REMARQUE : Si vous avez mélangé votre eau de mer pour le remplissage initial dans l'aquarium, attendez que le sel se dissolve entièrement et que l'eau ait atteint la salinité et la température désirées avant de fixer le niveau final d'eau.



12 Mode d'emploi de l'écumeur

Un ajustement de l'écumeur sera nécessaire de temps en temps dû à des changements permanents de densité et de matière organique dans l'eau.

La consistance de la mousse produite par l'écumeur est contrôlée en montant et baissant l'ajusteur d'écume.

La mousse sera formée dans la partie supérieure du corps de l'écumeur et montera dans le col du godet de récupération. Positionnez l'ajusteur d'écume afin que le niveau d'eau dans le corps de l'écumeur soit approximativement à la base du col.

Si la mousse est trop sèche ou qu'elle commence à s'accumuler en bas du col, montez graduellement l'ajusteur d'écume jusqu'à obtenir la consistance de mousse désirée. Si la mousse est trop mouillée, baissez l'ajusteur d'écume.

Surécumage

Un flux incontrôlable d'eau aérée dans le godet de récupération. En cas de surécumage, l'excès d'eau coulera dans la décantation par la fente de débordement située en haut du godet de récupération.

Pour contrôler le surécumage, vérifiez que l'ajusteur d'écume soit en position la plus basse, ajoutez le robinet à air à l'extrémité du tuyau d'entrée d'air et réduisez la prise d'air jusqu'à ce que la mousse ne stabilise. Continuez de contrôler l'écumeur en ajustant la prise d'air. Lorsque l'écumeur est stable avec le robinet à air totalement ouvert, retirez le robinet et contrôlez l'écumeur avec l'ajusteur d'écume.

Écumeurs neufs ou installations récentes

Les écumeurs produisent de la mousse si l'eau contient les protéines qui se lient à la surface des bulles d'air et donnent aux bulles la rigidité structurelle nécessaire pour qu'elles montent dans le col de l'écumeur et tombent dans le godet de récupération. Dans un aquarium nouvellement installé, la biomasse est basse et la quantité de protéines est négligeable.

Les écumeurs neufs nécessitent parfois une période courte de rodage de quelques jours avant qu'ils ne commencent de fonctionner efficacement. Un surécumage est fréquent lorsque les résidus chimiques inoffensifs qui modifient la tension de surface de l'eau sont neutralisés.

Nourrissage et supplémentation

Les écumeurs sont très sensibles à l'effet de composés à surface active comme la nourriture ou les suppléments qui sont régulièrement ajoutés à l'aquarium. Ces matières peuvent affecter significativement la production de mousse et dans certains cas, causer un surécumage. Éteignez l'écumeur immédiatement avant d'ajouter ce genre de produits et laissez-le éteint environ 30 minutes ou aussi longtemps qu'il faut pour que l'écumeur fonctionne normalement sans repositionner l'ajusteur d'écume.

Godet collecteur

Surveillez la quantité d'écume accumulée dans le godet collecteur et videz-le régulièrement. Lors du nettoyage, nettoyez l'intérieur du col en le rinçant à l'eau car l'accumulation d'écume dans le col affecte négativement les performances de l'écumeur. Si vous nettoyez le godet avec un détergent, assurez-vous de le rincer soigneusement avant de le repositionner sur l'écumeur.

13 Maintenance générale de l'aquarium

Le succès à long terme et la santé des habitants de votre aquarium MAX® NANO G2 dépend de vous. Un planning régulier rend la maintenance récifale plus facile à gérer et plus rapide à réaliser. Cela vous laisse plus de temps pour l'essentiel : profiter de votre aquarium. Le soin de l'aquarium doit suivre une régularité et une logique. Séparez les tâches selon qu'elles soient quotidiennes, hebdomadaires ou mensuelles en incluant les vérifications du matériel, le nourrissage, les tests des paramètres de l'eau et les ajustements.

Vous pourrez trouver utile de faire une liste de vérification systématique des tâches et de garder un journal des tâches effectuées. Votre journal ne doit pas être compliqué, vous aurez besoin de suivre :

- les paramètres de l'aquarium : pH, salinité, température etc
- l'apparence générale de l'aquarium et des différentes espèces
- les changements d'équipement : quand vous changez les rotors de pompe, le chauffage, etc...
- le remplacement du charbon actif ou autres médias de filtration.
- des informations spécifiques sur chaque animal : quand ils ont été ajoutés, bougés ou retirés, leur taille approximative, tout signe de stress ou maladie etc.

Niveaux d'eau

Vérifiez le niveau d'eau dans la CAE quotidiennement et ajoutez de l'eau douce selon les besoins. Si l'eau dans l'aquarium est trop haute, vérifiez si l'écumeur de surface n'est pas bloqué

Écumeur de surface

Retirez et nettoyez l'écumeur de surface au moins une fois par semaine pour permettre un flux d'eau correct et une différence de niveau d'eau correcte entre l'aquarium et la décantation arrière. De temps en temps, trempez-le dans une solution légèrement acide (vinaigre, acide citrique) jusqu'à ce que les éventuels dépôts de carbonate de calcium se dissolvent. Rincez minutieusement avant de le repositionner dans l'aquarium.

Écumeur

Vérifiez la production de mousse dans le godet collecteur et repositionnez l'ajusteur d'écume ou la prise d'air pour maintenir une mousse stable sèche. Videz et nettoyez le col du godet collecteur lorsque cela est nécessaire.

Pompes

Vérifiez que la pompe de circulation est dirigée dans la bonne direction et fonctionne correctement. Si vous remarquez une baisse de courant, vérifiez l'absence d'obstruction (escargots, crabe, éclats de charbon, etc...) au niveau de la pompe ou du rejet.

Pour assurer un bon fonctionnement de l'écumeur et de la pompe de circulation, elles doivent être nettoyées régulièrement.

REMARQUE : les aquariums avec une concentration en calcium et une alcalinité plus élevées requièrent une maintenance plus fréquente

Pour nettoyer les pompes :

- Eteignez les pompes sur le boîtier-interrupteur et débranchez les câbles, retirez les pompes de l'aquarium.

- Retirez le couvercle de protection du rotor et retirez-le.
- Nettoyez l'ensemble des pièces, couvercle de protection du rotor, rotor, et chambre du rotor en essayant avec un tissu mou ou brosse. Pour retirer les dépôts de carbonate de calcium, trempez les pièces dans un acide faible (vinaigre, acide citrique) jusqu'à ce que les dépôts ne se dissolvent.
- Rincez minutieusement toutes les pièces, réassemblez la pompe, assurez-vous que l'ensemble des tuyaux sont correctement connectés et repositionnez la pompe avant de rebrancher le câble à l'alimentation.

REMARQUE : Si la pompe fait un bruit mécanique après le nettoyage, remplacez le rotor. Le rotor est une pièce d'usure qui doit être remplacée périodiquement.

Contrôle de la température d'eau

Pour des conditions optimales, un aquarium récifal doit être maintenu à une température stable entre 24 et 28°C (la stabilité de la température étant plus importante que la valeur). Des températures légèrement plus élevées peuvent être tolérées sur de courtes périodes tant que le changement de température est progressif et non brusque. Vérifiez la température au moins 2 fois par jour, pour éviter toute fluctuation dramatique.

Évitez les différences de température de plus de 2°C sur la journée. Lors des changements saisonniers et lorsque vous chauffez/refroidissez la maison, vérifiez la température plus souvent.

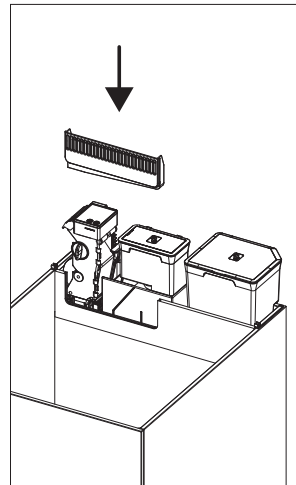
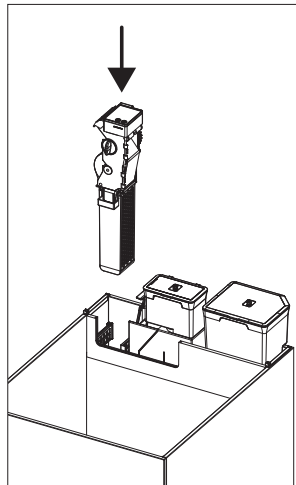
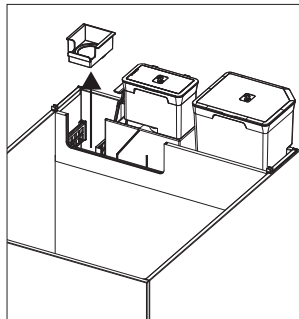
Changez le charbon actif

Remplacez le charbon actif tous les deux mois.

14 Ajout d'équipements optionnels

NanoMat

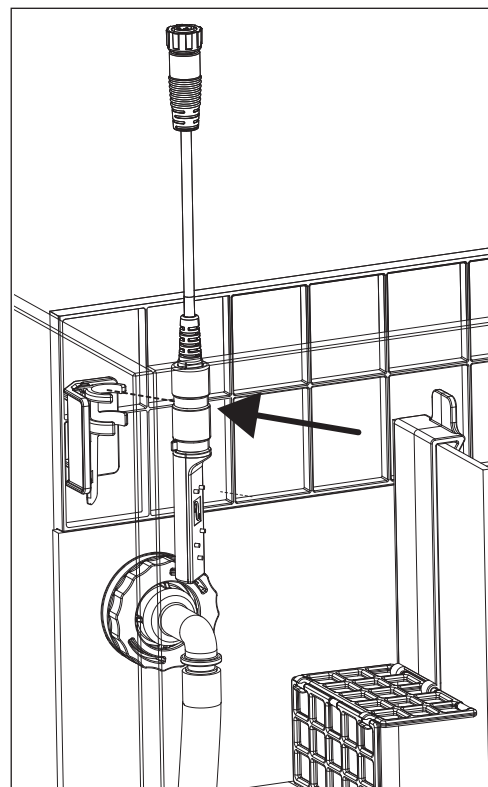
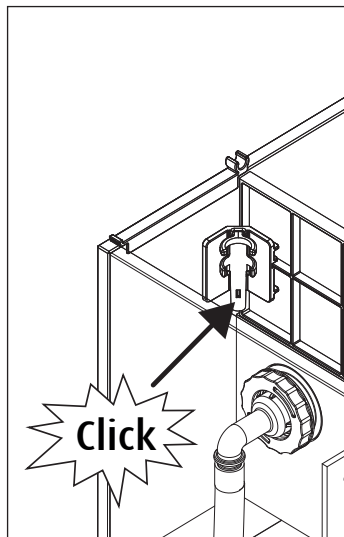
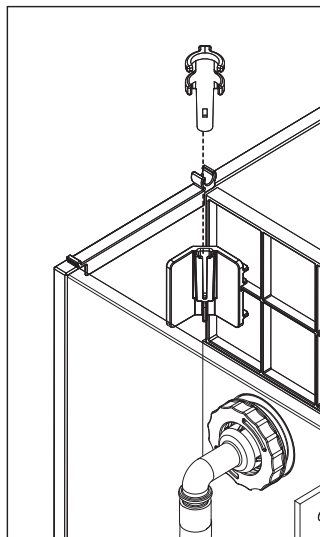
Retirez le support de micron bag et suivez les instructions d'installation fournies avec le NanoMat.



ReefATO+

Pour installer le ReefATO+, retirez le système de remise à niveau d'origine et installez le capteur ReefATO+ dans le support comme indiqué.

Suivez les instructions fournies avec le ReefATO+ pour terminer l'installation.



15 Dépannage

Q. J'ai une installation toute récente, mais mon écumeur n'a pas l'air d'écumer.

R. Vérifiez que la salinité est comprise dans la plage de valeurs correcte pour l'eau d'un aquarium récifal. Si l'installation est récente ou si l'écumeur vient d'être nettoyé, rincez-le bien à l'eau et remettez-le en place. L'écumeur devrait commencer à mousser dans quelques jours. Les écumeurs réagissent aux changements de densité et aux autres résidus chimiques non dangereux qui se produisent normalement dans un aquarium. Ce n'est pas dangereux pour votre aquarium, mais cela influence quand même le fonctionnement de l'écumeur pendant un ou deux jours. Rappel : l'écumeur produit de l'écume seulement si l'eau contient les protéines qui se collent à la surface des bulles d'air et qui leur donnent la rigidité structurelle nécessaire à l'ascension et à la dépose dans le col du godet de l'écumeur.

Q. Mon écumeur est neuf et produit beaucoup d'écume très liquide (sur-écumage).

R. La production excessive d'écume très liquide, qu'on appelle aussi sur-écumage, indique la présence de substances chimiques qui doivent être retirées par l'écumeur. Baissez l'Ajusteur d'écume à la position nécessaire pour réduire le niveau d'eau dans le col de l'écumeur, et, si besoin est, ajoutez le robinet d'air sur le tube d'entrée d'air pour réduire le débit d'air jusqu'à ce que l'écume se stabilise. Il faudra quelques jours pour que l'écumeur élimine tous ces produits chimiques.

Q. Mon installation n'est pas récente, mais l'écumeur ne produit pas d'écume, ou elle est trop sèche et se colle sur le col du godet.

R. Sur une nouvelle installation, la charge biologique est faible et la masse organique négligeable. Si votre MAX® est déjà bien acclimaté et peuplé, rehaussez la vanne de l'Ajusteur d'écume selon les besoins et ouvrez le robinet d'air. Vérifiez aussi le niveau d'eau dans le compartiment de filtration arrière et remplissez pour qu'il atteigne son niveau idéal. Si la faible production d'écume persiste, inspectez l'intérieur du tube à air et l'arrivée d'air de l'écumeur pour détecter une éventuelle obstruction.

Q. Mon écumeur n'est pas récent mais il sur-écume après le nourrissage et/ou la supplémentation.

R. Voir la section Nourrissage et supplémentation du chapitre 12 (page 78).

Q. Le niveau d'eau de l'aquarium est trop élevé.

R. Contrôlez les peignes de l'épurateur de surface et enlevez toutes les algues ou escargots en vous reportant aux instructions de nettoyage ci-dessus.

Q. Une pompe ne fonctionne plus ou émet un bruit mécanique.

R. Démontez et nettoyez la pompe comme indiqué ci-dessus.

Q. Les pompes de circulation injectent des micro-bulles dans l'aquarium.

R. Assurez-vous de bien avoir ajouté de l'eau osmosée pour compenser

l'évaporation et que le niveau d'eau est correct dans tous les compartiments de la décantation arrière, que la surverse n'est pas obstruée et que les masses filtrantes ne sont pas saturées, car cela empêcherait les pompes d'être pleinement immergées. Une faible quantité de micro-bulles est normale dans un aquarium marin. Un écumage intense est le secret d'une qualité d'eau irréprochable puisqu'il retire les déchets organiques avant qu'ils ne se dégradent ET maintient un fort potentiel redox. Cet objectif est atteint en sursaturant l'eau d'air, c'est-à-dire en dissolvant plus d'air dans l'eau par rapport aux niveaux habituels, pour une température et une pression données. Quand l'eau sursaturée quitte l'écumeur, elle «relâche» le gaz en excès sous la forme de micro-bulles. Dans les MAX® NANO G2, les pompes sont placées près du fond de la décantation arrière et sont pré-filtrées par une mousse qui doit empêcher toute bulle d'air d'atteindre l'entrée de la pompe. Il peut cependant y avoir de l'air piégé dans la mousse. Si c'est le cas, retirez la mousse, rincez-la et remplacez-la dans la décantation. Il peut y avoir aussi des micro-bulles si vous utilisez de l'eau du robinet avec des conditionneurs d'eau, ou de l'eau de mer naturelle. Plusieurs conditionneurs d'eau, certaines formules de sels synthétiques et des impuretés trouvées dans l'eau de mer naturelle augmentent la tension de surface et permettent à des bulles de s'échapper du corps de l'écumeur pour aller en direction des pompes. Nous déconseillons fermement l'utilisation de l'eau du robinet. En cas d'utilisation d'eau du robinet, N'AJOUTEZ AUCUN conditionneur d'eau ou produit anti-chlore. Laissez reposer l'eau 24 heures pour laisser le chlore s'évaporer naturellement avant de l'introduire dans l'aquarium.

16 Garantie

Limite de garantie des aquariums Red Sea.

Nous vous remercions d'avoir acheté un système récifal Red Sea (ci-après "le Produit").

Red Sea Aquatics (UK) Ltd. (ci-après "Red Sea") garantit le Produit contre les défauts de fabrication pendant 24 mois à partir de la date d'achat.

Si vous enregistrez le Produit, Red Sea vous fournira une garantie additionnelle de 12 mois uniquement sur la cuve en verre mais pas sur les autres composants du Produit.

Dans les juridictions où les termes de garantie conditionnés par l'enregistrement sont interdits par la loi, l'enregistrement n'est pas requis et vous et vous recevrez la garantie supplémentaire de 12 mois sur la cuve en verre même si vous n'enregistrez pas le produit.

Vous pouvez enregistrer votre produit sur www.redseafish.com

La garantie fournie par Red Sea n'est PAS TRANSFÉRABLE ET EST LIMITÉE À L'ACHETEUR ORIGINAL. Si le Produit est éligible sous cette garantie, Red Sea réparera le Produit gratuitement (sans inclure les frais d'expédition) avec des pièces neuves ou remises à neuf ou remplacera le Produit avec un produit neuf ou remis à neuf à la seule discrétion de Red Sea.

Cette garantie NE COUVRE PAS l'usure normale ou les articles qui ont une durée de vie naturelle limitée ou qui sont consommables, tels que, mais non limité aux turbines, mousses alvéolaires, masses filtrantes et joints toriques. Elle NE COUVRE PAS non plus les dommages survenus lors de l'expédition et/ou les défaillances ou les défauts résultant d'une utilisation anormale, de catastrophes naturelles, d'accidents,

de surtensions, de négligence, d'une installation et/ou utilisation inadéquate de l'appareil, réparation ou intervention technique sur le Produit effectuée par quelqu'un d'autre qu'un centre de service autorisé de Red Sea, catastrophes naturelles, accidents, surtensions, négligence, installation, utilisation ou entretien inadéquats, ou le manque d'utilisation ou d'assemblage du Produit conformément aux instructions fournies (dans le manuel du Produit ou autre) ou aux standards techniques et/ou de sécurité du pays dans lequel le Produit est utilisé. De plus, toute modification du Produit autre que par un centre de service autorisé de Red Sea invalidera cette garantie.

Afin d'appliquer cette garantie, veuillez contacter votre centre de service local. Pour votre commodité, les détails des centres de service autorisés peuvent être trouvés sur le site web de Red Sea. La preuve d'achat sera exigée avant que la validité de la garantie soit confirmée.

Le seul et unique recours contre Red Sea sera la réparation ou le remplacement du produit comme prévu ci-dessus. AUCUN AUTRE RECOURS (y compris mais non limité à, des dommages accidentels ou conséquents pour perte de profits, perte de ventes, ou toute autre perte accidentelle ou consécutive) ne sera disponible. Certaines juridictions n'autorisent pas l'exclusion des dommages accessoires ou l'exclusion des dommages accessoires ou indirects, la limitation ci-dessus peut donc ne pas s'appliquer pour vous. Dans la mesure permise par la loi applicable, en aucun cas Red Sea ne sera responsable de toute perte ou des dommages à la vie aquatique, et/ou des dommages à d'autres biens et/ou individus résultant de l'utilisation du Produit ou résultant d'une violation de cette garantie. Toutes les garanties implicites sont exclues dans toute la mesure permise par la loi applicable, et dans la mesure où elles ne peuvent pas être exclues, elles sont limitées à la période de

garantie applicable indiquée ci-dessus. Certaines juridictions ne permettent pas de limiter la durée d'une garantie ou d'une condition implicite. Les garanties expresses énoncées dans la présente garantie sont exclusives et ne peuvent pas être modifiées, élargies ou changées par tout distributeur, revendeur, ou toute autre personne, quelle qu'elle soit.

登録

延長保証のためのシステム のオンライン登録

新しいシステムをご登録ください。ガラス水槽に対する通常の1年保証に追加して、もう1年の延長保証が無料で受けられます*:

www.redseafish.com/ja/register



Red Sea MAX[®] NANO G2

Complete Plug & Play[®] Open Top Reef System

取扱説明書

MAX® NANO G2 取扱説明書

MAX NANO G2 パーツ表	90
安全についての注意事項.....	92
設置場所について	93
MAX®NANO G2システムの開梱.....	94
仕様.....	95
組み立て	96
ろ過槽の組み立て	97
自動給水装置 (ATO)	102
LEDモジュールの取り付け.....	102
ポンプスイッチボックスの操作	104
LEDの設定とプログラミング	104
水槽の水張り	105
プロテインスキマーの操作	106
全般的な水槽のメンテナンス作業	107
オプション機器の設置	108
トラブルシューティング.....	110
製品保証	112

Red Sea MAX®NANO G2 コンプリートリーフシステムをご購入いただき、ありがとうございます。

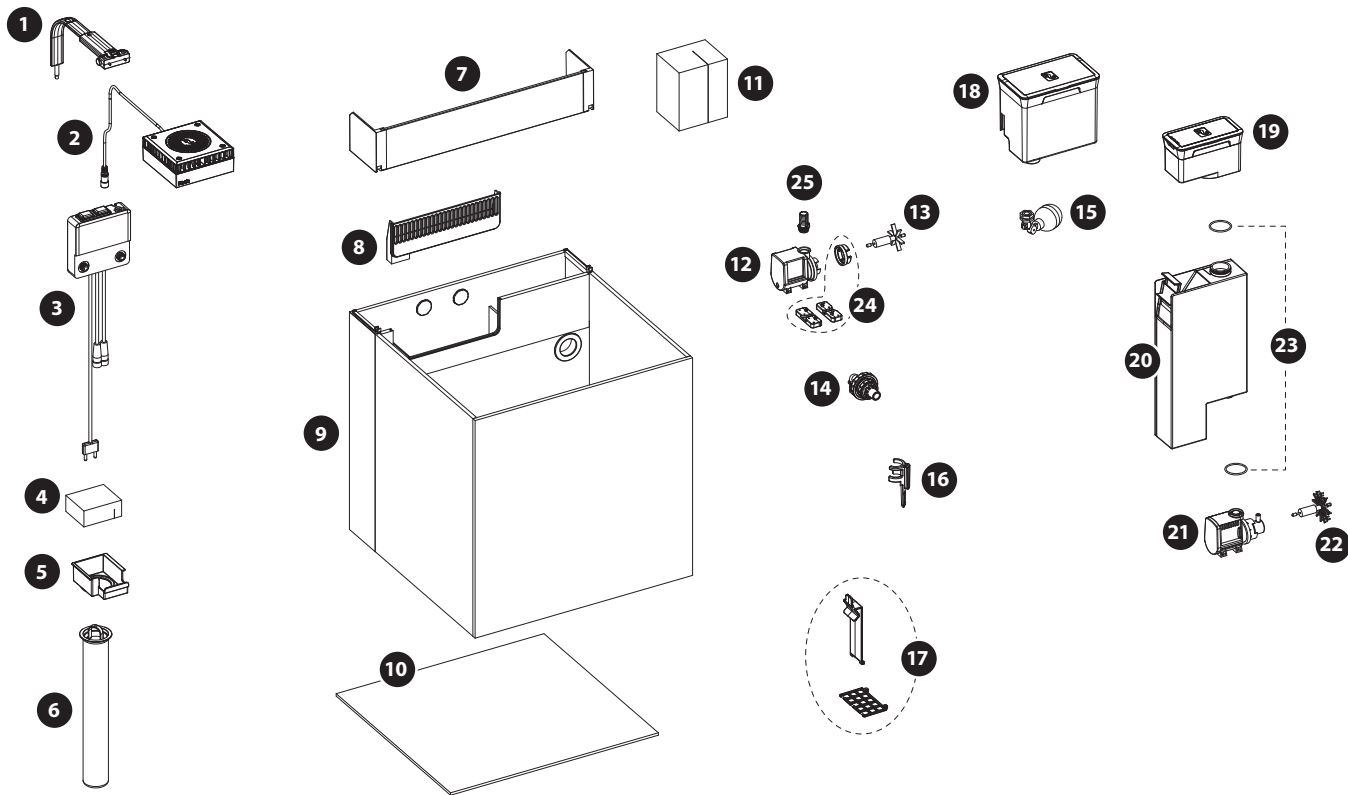
Red Sea MAX®は、サンゴを含む全てのサンゴ礁の生き物に調和する環境を水槽内で創造する体験が得られるようアプローチします。自然界のサンゴ礁は、十分な光や水流、安定した水温や澄んだ水など特別な物理的条件でのみ成長しています。

Red Sea MAX®は、そのような条件を創り出すシステムを提供し、ご自宅でサンゴを健康的かつ生き生きと飼育することを可能とします。

どうぞMAX®をお楽しみください。

オーナー様向けに、製品のアップデート情報や特別な情報が配信されます（英語にて）。redseafish.comのMAX®オンラインにご登録をお願いします。

MAX NANO G2 パーツ表



	パーツ名	MAX NANO G2 Cube	MAX NANO G2 Peninsula	MAX NANO G2 XL
1	ReefLED 50マウンティングアーム	R40600	R40600	R40600
2	ReefLED 50	ReefLED 50	ReefLED 50	ReefLED 50
3	ポンプスイッチボックス	R40588	R40588	R40588
4	スキマーアウトレットスポンジ	R40605	R40605	R40624
5	フィルターバッグホルダー	R40623	R40623	R40623
6	ミクロンフィルターバッグ	R40580 (225 micron)	R40580 (225 micron)	R40580 (225 micron)
		R40581 (100 micron)	R40581 (100 micron)	R40581 (100 micron)
7	サンスクリーン	R40613	R40613	R40614
8	サーフェスキマー	R40612	R40612	R40612
9	ガラス水槽	R40615	R40616	R40617
10	EVAマット	R40598	R40604	R40618
11	バブルトラップスポンジ	R40606	R40606	R40607
12	循環ポンプ	R40589	R40589	R40608
13	RS Flow用インペラー	R50423 (50hz)	R50423 (50hz)	R50403 (50hz)
		R50424 (60hz)	R50424 (60hz)	R50404 (60hz)
14	ポンプアウトレットノズル	R40590	R40590	R40590
15	フロートバルブ	R40599	R40599	R40599
16	ReefATO+センサークリップ	R40621	R40621	R40621
17	メディアリテーナー	R40622	R40622	R40622
18	自動給水装置	R40594	R40594	R40611
19	MAX NANOスキマーカップ	R40593	R40593	R40518
20	MAX NANOスキマーボディ	R40626	R40626	R40610
21	MAX NANOスキマーポンプ	R40591	R40591	R40609
22	NANOスキマー用インペラー	R50425 (50hz)	R50425 (50hz)	R50405 (50hz)
		R50426(60hz)	R50426(60hz)	R50406 (60hz)
23	MAX NANOスキマー用Oリングセット	R40579	R40579	R40579
24	循環ポンプ用フィート&インレット	R40619	R40619	R40620
25	循環ポンプ用ホースバープ	R40625	R40625	R40625

1 安全についての注意事項

以下の安全についての注意をよく読み、遵守してください。

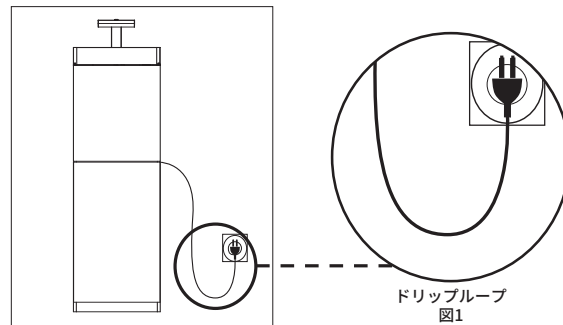
危険：水槽装置の使用には水の使用も伴うため、感電に注意してください。万一、電気器具の修理等の必要が生じた場合は、ご自身で行うことは避け、お買い求めの販売店または弊社までご連絡ください。

警告：使用上におけるケガなどを避けるため、次の事項をはじめとする基本的な安全事項を遵守してください。

- コードまたはプラグが破損した場合、または正常に動作しない場合、あるいは落としたり何らかの形で損傷したりした場合は装置を作動させないでください。また、修理をご自身で行うことはやめ、販売店または弊社までご連絡ください。電源のタコ足配線はおやめください。
- 電源プラグやコンセントが濡れないように厳重に注意してください。コンセント、またはプラグに水が滴らないように、水槽と水槽台は壁のコンセントより離して設置してください。コンセントに接続している水槽器具のすべてのコードに、図1に示す「ドリップループ」を施してください。「ドリップループ」とは、コンセントまたはコネクターの位置よりも下にあるコードの部分のことです。水がコードを伝わってコンセントに接触するのを防ぐためのもので、必要に応じて延長コードを使ってください。プラグやコンセントが濡れてしまった場合はプラグやコードに触れず、その器具に電源を供給するヒューズまたはブレーカーの接続を切ってください。その後、装置のプラグを抜き、コンセントの状態をチェックします。
- ケガをしないよう、作動中の部品には触らないでください。
- 使用していない器具の場合、または部品の脱着および清掃の際には、必ずコンセントから器具の電源コードを抜いてください。プラグをコンセントから抜く際は、コードを引っ張ったりしないで下さい。必ずプラグをつかんで抜いてください。

- 正規用途以外に器具を使用しないでください。弊社が推奨または販売していない付属品の使用は、危険を招く原因となる場合があります。
 - 外気に直接触れるところや、温度が0°C以下になるところへの器具の設置・配管は避けてください。
 - 器具がしっかり取り付けられているか、使用前に確認してください。
- すべての重要なお知らせをよく読み、順守してください。

注意：器具の定格より低いアンペア数やワット数の延長コードを使用すると火災につながる場合があります。また、足に引っ掛かったり、引っぱったりすることのないよう、コードの配置を慎重に行ってください。



2 設置場所について

MAX®NANO G2をセットアップする第一歩は最適な設置場所の選択です。

電源の供給

供給する電源（ボルト、ヘルツ）や容量がMAX®NANO G2のシステムに適合されていることを確認してください(75W)。また、周辺機器（ヒーター等）についても確認してください。供給する電源にアース及び漏電遮断器が備わっている必要があります。

床

必ず水平でフラットな、長期間重量がかかっても沈まない丈夫な床の上に設置してください。畳、カーペットなど不安定な場所には設置しないでください。システム全体の総重量に対して耐荷重を満たしている必要があります。また、メンテナンス時に海水がこぼれる場合がありますので、防水や腐食に対する工夫が必要です。

室温

場所の選択は、水温の適温維持に重要です。水槽の周辺温度を22°Cに保つことをお奨めします。エアコンや熱源の近く、または直射日光は避けてください。よく換気ができ、穏やかな光の差し込む部屋が水槽には最適な場所です。

アクセスのしやすさ

- **背面:** クーラーの排気を逃すため、またはメンテナンスのために、水槽を壁から10cm以上離してください。
- **側面（後側）:** 水槽の両サイドは十分に空間（60cm以上）を設けてください。側背面にかけては壁や家具を隣接させないでください。この空間はサーフェススキマーやプロテインスキマー、ポンプ、ろ過材の日常的なメンテナンスやポンプスイッチボックスへのコードの接続または取り外しの際に必要となります。

一般的な注意

水槽の周辺は防水し、水によるダメージや塩による腐食が考えられる物を近くに置かないようご注意ください。

3 MAX®NANO G2システムの開梱

作業の前にこの章をよくお読みください。

1. 水槽上部を囲むクッションマットと保護材を外します。
2. 水槽の中から付属品、梱包材を取り出します。
3. 付属品が入った箱を開けて確認し、後の組み立てに備えておきます。

水槽の取り出し

ボックスの両側に一人ずつ立ち、水槽上部をつかんで慎重に持ち上げて外箱から取り出し、クッションマットを敷いた平坦で水平な場所に置きます。

注意：MAX®NANO G2システムが到着したらすぐに開梱し、水漏れ検査を行ってください。

水槽を最適な場所に置き、水槽の上部から2.5cm下まで水を満たします。15分間待って水漏れの兆候があるかどうか調べます。

その後、水を吸い出して水槽を空にします。

危険：この水槽の底はガラスがむき出しとなっていますので、水槽を取り出す前に、平滑で柔らかく清潔な、重量に耐えられる場所を準備し、クッションマットを必ず敷いてください。

水槽のおよその重量（空の状態）

モデル	キログラム(kg)	ポンド(lb)
MAX NANO G2 Cube	23	51
MAX NANO G2 Peninsula	27	60
MAX NANO G2 XL		

4 仕様

MAX® NANO G2 システム内容物	MAX® NANO G2 Cube	MAX® NANO G2 Peninsula	MAX® NANO G2 XL
MAX®NANO G2リアサンプ一体型ガラス水槽	75L	100L	125
リアサンププロテインスキマー	NANO		NANO XL
循環ポンプ	1 x 950lph		1 x 1550lph
MAX® NANO G2キャビネット (オプション)	組み立て式		
ポンプスイッチボックス	✓		
ReefLED® 50	50W		
フィルタースポンジ	2		
活性炭 (口紐付きバッグ入り)	100g		
リアサンプスクリーン	✓		
自動給水装置	✓		
着脱式フィルターバッグホルダー (NanoMat対応)	✓		
ミクロンフィルターバッグ	✓		
ReefATO+対応のセンサークリップ	✓		

5 組み立て

システムに注水する前に、下記に従って全ての付属品を組み立て取り付けてください。

注意：本マニュアルの右及び左の表記は、水槽を正面に見た場合となっています。

5.1 キャビネットの組み立て

警告：組み立て式の家具を組み立てた経験が無い場合、適切な人にアドバイスを受けてください。

MAX[®]NANO G2キャビネットの組み立てに関する詳細は、同梱されている図解入りのマニュアルでご覧頂けます。

キャビネットの組み立てにはプラスドライバーが必要です。電動ドライバーは使用しないでください。

プッシュオープン式 (PTO) ドアのパーツの調整

PTOパーツの先を1.5mmまで押し込むとスプリングによりシャフトが5cmまで飛び出してオープンポジションとなります。

まず、PTOパーツのシャフトをキャビネット内側まで押し込んでクローズポジションにします。

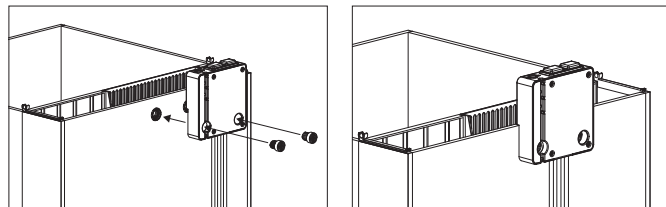
キャビネットのドアを取り付けた後、PTOパーツのシャフトがクローズポジションのときドアがきちんと閉められることを確認します。プッシュオープン式 (PTO) ドアのパーツの調整ドアが閉じられた状態でドアのPTOパーツの取り付け位置を軽く押すと、ドアが押し返されて開きます。もしドアが押し返されない場合、PTOパーツのシャフトを反時計回りに半回転回すことでPTOパーツの位置を調整します。この調整をドアが押し返されるまで繰り返します。

キャビネットが完成したら設置場所に置き、水平であることを確認してください。

5.2 ポンプスイッチボックス

ポンプスイッチボックスにある穴と水槽背面の穴を合わせ、付属のネジで固定します。この時点ではまだLEDマウンティングアームまたはモジュールを取り付けしないでください。

注意：説明書で指示があるまで、スイッチボックスの電源プラグをコンセントに接続しないでください。



5.3 水槽の設置

水槽をキャビネットまで持ち上げるのに最低でも二人は必要です。キャビネットの天板は床から約86cmの高さとなります。水槽を持ち上げる際に、この作業に適した体力を持った人物であるか、また、重量物を持ち上げる正しい方法を知っているかをご確認ください。水槽は必ず底面を持って持ち上げてください。

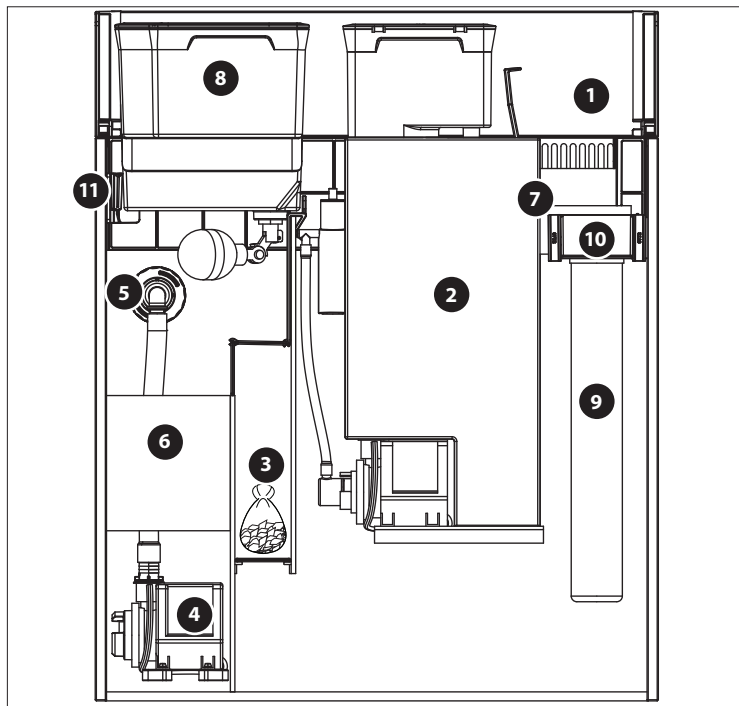
水槽を持ち上げる前に組み立てたキャビネットを最終決定位置に置き、その上の正しい位置に水槽を配置してください。

水槽背面と側面のガラスがキャビネットトップボードの縁に揃うよう配置します。

水槽をキャビネットに正しく配置したらキャビネットの置き位置がずれていないかチェックして下さい。また、水平器を使い水槽が水平であることを確かめてください。必要に応じて、キャビネットの置き位置を調整してください。

6 ろ過槽の組み立て

1. 着脱式サーフェスキマー
2. プロテインスキマー
3. 活性炭
4. 循環ポンプ
5. 吐出ノズル
6. バブルトラップスポンジ
7. スキマー排水ロスポンジ
8. 自動給水装置
9. ミクロンフィルターバッグ
10. 着脱式フィルターバッグホルダー
11. ReefATO+ホルダー



MAX® NANO G2 リアサンプの機器組み立て完成図

MAX®NANO G2のリアサンプでのろ過および循環システムの概要

MAX®NANO G2のリアサンプは多段階のフィルターシステムとなっており、REEF-SPECプロテインスキマーと、活性炭、物理ろ過材で構成されています。

水槽内の水は総水量で1時間に約10-12回転分循環しながら、物理ろ過と化学ろ過を通ります。同時にSPSに対応したスペックを持つプロテインスキマーが1時間に約3回転分のろ過処理を行います。

飼育槽からの水は、水面付近に滞留する有機物を直にリアサンプに送り込む着脱式のサーフェスキマーに流れ込みます。

サーフェスキマーからの水はスキマー室に入る前にミクロンフィルター

バッグでろ過されます。フィルターバッグが定期的に十分清掃されておらず詰まった場合でも、水はバイパスを通るのでリアサンプの全体的な運転に影響を与えません。

スキマー室を通った後の水は強制的にREEF-SPECカーボンと気泡を取り除くためのスポンジを通過しながら、リアサンプの底にある循環ポンプに向かいます。ポンプはろ過処理された水をマルチダイレクション吐出口ノズルから飼育槽に戻します。ポンプが稼働中の時は水槽の縁から約2.5cm以下水面が維持されます。

システムの水位を一定に保つためにMAX®NANO G2には1.5Lの淡水を貯水ができる自動給水装置が取り付けられており、約2日分の水分の蒸発を補完します。また、リアサンプは1L分の蒸発（塩分濃度は深刻なほど上昇しない）が起きてても十分に運転を継続できるようになっていますので、MAX®NANO G2は季節によりますが、少なくとも約3日間は給水なしでも運転が可能です。

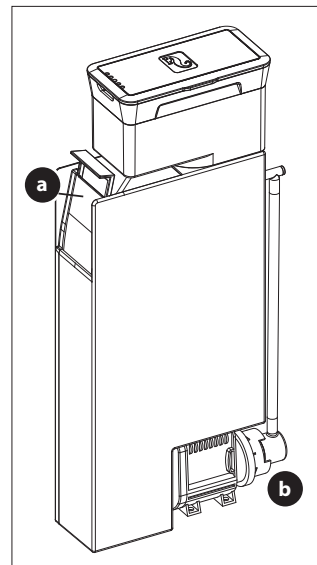
6.1 プロテインスキマー

MAX®NANO G2プロテインスキマーは、スキマーボディとコレクションカップ、スキマーポンプの3つのパーツで構成されています。

スキマーポンプの構造を理解するために、各パーツを取り外してから組み直すことをお勧めします。インペラカバーが正しい位置にあり、Oリングと共にしっかりと固定されているかをお確かめください。ご使用前にポンプと電源ケーブルに損傷が無いことを確認してください。

スキマー部位名

- スキムアジャスター
- ベンチュリーインレット
- エアチューブ
- スモールエアチューブ

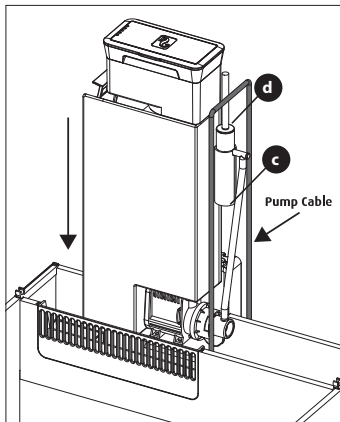


NANO G2 skimmer

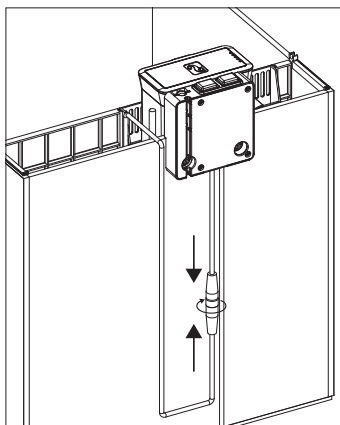
スキマー取り付け手順は下記の通りです：

- スキムアジャスターを一番低い位置にセットしてください。
- スキマーポンプのベンチュリーインレットに接続されているエアチューブをサイレンサーに接続してください。
- スモールエアチューブをサイレンサーのインレットに接続してください。
- オプションでスキマー用のエアバルブが付属しています。初期段階ではエアバルブを使用する必要がありません。取扱説明書に後述されているような必要な時のみに使用します。

- 図に示すようにポンプの電源ケーブルをスキマーの側面に配置します。スキマーをスキマー室にスライドし設置してください。この時、サイレンサーがガラスの隔壁にちょうど接触しているようになります。
- 電源ケーブルを水槽背面に引き出してポンプスイッチボックスの左側のコードに接続し、コネクターナットでしっかりと固定します。



NANO G2 skimmer

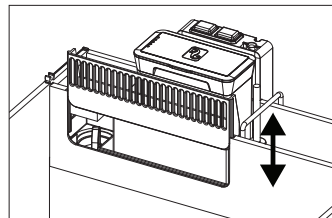


skimmer cable

6.2 サーフեսスキマー

着脱式のサーフェスキマーは飼育槽とリアサブを隔てるガラス壁の所定の位置に取り付けられています。

上方に引き上げることでサーフェスキマーを外すことができます。サーフェスキマーは水をミクロンフィルターバッグに誘導する水路と一体になっていますのでご注意ください。



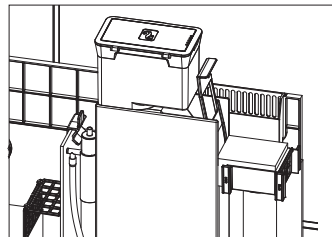
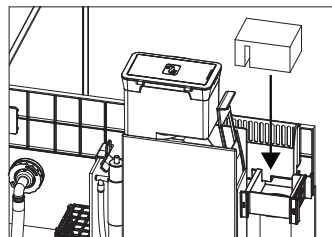
サーフェスキマー/スリット

JP

6.3 ミクロンフィルター

着脱式 フィルターバッグホルダーが正しく取り付けられていること、ミクロンフィルターバッグがフィルターバッグホルダーに取り付けられていることを確認します。

右図の通り、小さな黒いスポンジをスキマーの側面にも触れるようにしながら、フィルターバッグホルダーの上に置きます。



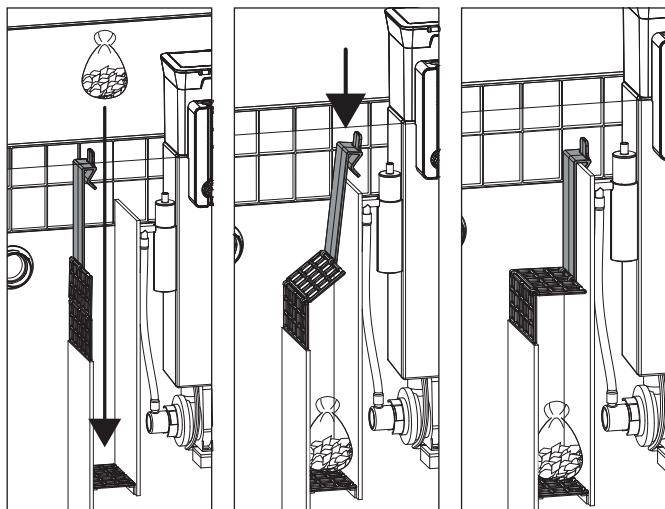
フィルターバッグとスポンジ

注意：MAX®NANO G2は225ミクロン薄型フィルターバッグが取り付けられています。100ミクロンファインポリッシュフィルターもレッドシー製品の取扱店でお求めになります。

6.4 活性炭

活性炭を流水で数回すすぎ、表面の付着物を洗い流してください。最初の3日間は細かな気泡が活性炭内部の孔から発生するため、ご使用前に24～72時間ほど水に浸しておくことをお勧めします。

すすいだ活性炭をスキマー右側（正面から見て）のチャンパー内に入れ、ガラス上部から約30cm下のグリッド上に置きます。カーボンが浮き上がらないように、メディアリテーナーを閉じてください。

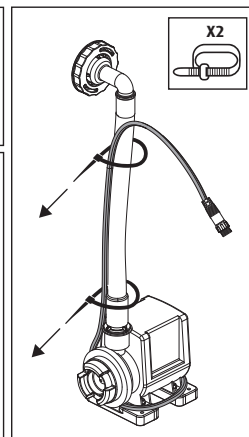
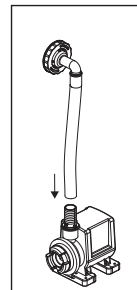
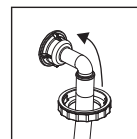
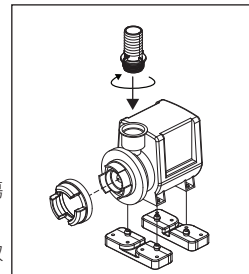


6.5 循環ポンプ

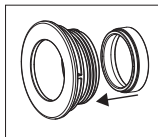
マルチダイレクション吐出口の構造は図を参照してください。

循環ポンプの構造を理解するために、各パーツを取り外してから組み立て直すことをお勧めします。完成後、インペラーカバーが正しい位置にあり、Oリングと共にしっかりと固定されているか、また、フローバルブが開放の位置にあるかをお確かめください。付属のホース接続口をポンプの排水口にねじ込んで固定してください。

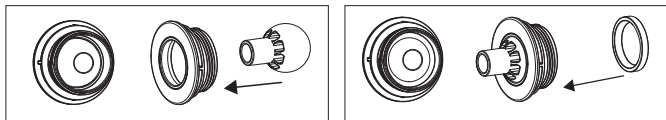
1. ご使用前に、ポンプと電源ケーブルに損傷がないかお確かめください。
2. ラバーフィートとインレットをポンプに取り付け、ホースバープを吐出口に回転させながら取り付けてください。
3. 吐出口固定リングコネクターをホースに通して、右図のようにアウトレットエルボーがポンプに対して垂直になるようにホースをポンプに取り付けます。
4. 電源ケーブルを右図のようにポンプに巻き付け、付属のケーブルタイでホースに固定します。



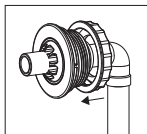
5. アイボールシートをガラス壁にあるアウトレットホルダーに差し込みます。このパーツはしっかりと固定されますので、ポンプのメンテナンス時に外れることはありませんが、清掃のために必要な時に外すことは可能です。



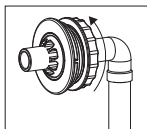
6. アイボールアウトレットをアウトレットホルダーのシートに合わせて差し込みます。



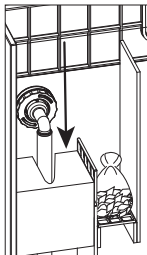
7. アウトレットエルボーと固定リングコネクターがアウトレットホルダーに向かい合う位置になるまで、ポンプをポンプ室に下ろしていきます。



8. Oリングを取り付け、固定リングを回してホルダーの正しい位置にしっかりと固定します。アイボールが自由に動かせ、希望の位置で固定できるかを確認してください。ポンプのスイッチを入れた時の水はね防止のため、最初はノズルを下向きにしておいてください。



9. 電源ケーブルを水槽背面に引き出し、ポンプスイッチボックスの右側のコネクターに接続し、コネクターナットをしっかりと締めます。

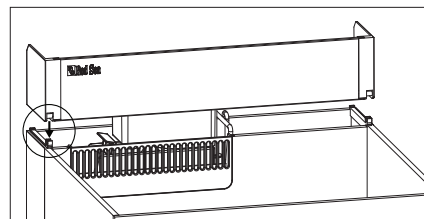
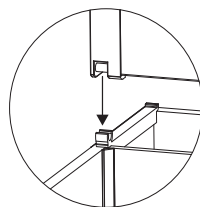


10. 循環ポンプを設置したら、黒色のバブルトラップスポンジをポンプ室に差し込みます。その際、スポンジの切れ目にホースを挟み込むようにしてください。

6.6 サンプスクリーン

リアサンプの正面ガラス壁の上にサンプスクリーンを取り付けます。側面壁の上部にあるクリップにヒンジを揃え、正しい位置に置きます。サンプスクリーンの後部を押しカチッと固定します。

リアサンプのメンテナンスの際は、スクリーンを手前に倒して水槽の上部がフラットになるようにします。

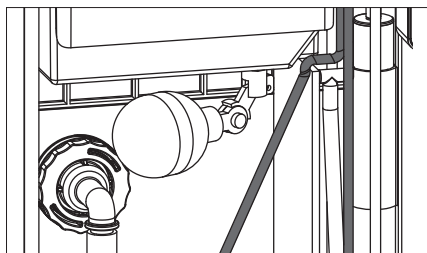
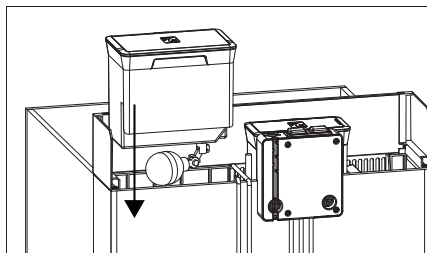


7 自動給水装置 (ATO)

MAX®NANO G2の自動給水装置は完全に組み立てられた状態で出荷されません。

システムに設置する際に調整の必要はございませんが、フロートバルブが図のような角度になっているか確かめてください。循環ポンプとスキマーポンプの電源ケーブルをポンプスイッチボックスの側面に配し、自動給水装置をリアサンプの所定の位置に差し込んでください。循環ポンプのケーブルが給水装置の底の凹みに配置されているかを確認してください。

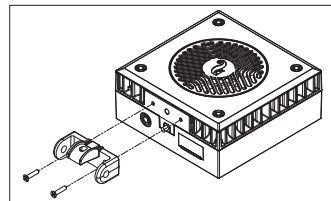
注意：システムに適正な水量の海水を張るまでは、自動給水装置に水を入れないでください。



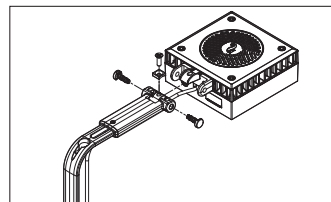
8 LEDモジュールの取り付け

MAX®NANO G2用のReefLED™50は、スイベルジョイントでマウンティングアームに取り付けられています。そのマウンティングアームは、ポンプ・スイッチボックスの上部に設けられた穴に差し込むことによって水槽に取り付けられています。組み合ったLED照明を左右に振ることができるので、水槽内のレイアウトやリアサンプのメンテナンス、特にスキマーを取り外す時に便利です。

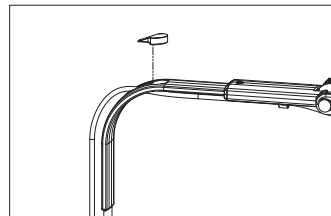
1. 付属のM3ネジを使用して、図のようにスイベルコネクターを取り付けます。



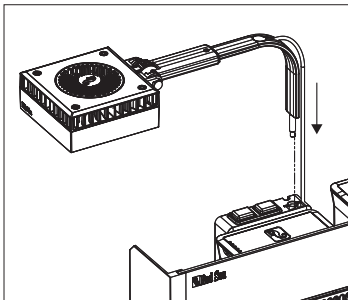
2. ReefLEDのスイベルコネクターをアームエクステンションに押し込みます。両側からコネクターピンを差し込み、しっかりと固定されるまで押し込みます。ReefLEDがしっかりと固定できるよう、固定ネジをコネクターの上から絞めます。



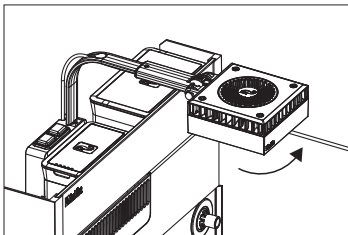
3. ケーブルをマウンティングアームの曲がった部分にある穴に通し、ケーブルホールプラグを所定の位置にはめ込みます。



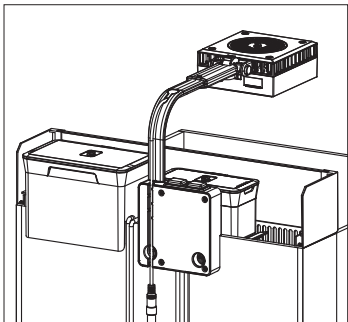
4. LEDマウンティングアームをスイッチボックスに取り付けます。LEDユニットが図のように横向きになるようにし、アームの端にあるピンをスイッチボックスの穴に差し込みます。ケーブルは水槽の背面に引き出します。



5. ピンを穴に差し込んだ時、アームの平らな部分はポンプのスイッチボックスの上にあります。アームを正面の位置に向けてください。



ケーブルをスイッチボックスに設けられた溝に通し固定します。スイベルコネクター上部の固定ネジを少し緩め、水槽の上部と平行になるまでReefLEDの位置を調整し、固定ネジを締め直します。



キャビネット内など、電源アダプターを配置するのに適した安全な場所を探し設置します。LEDユニットのケーブルの

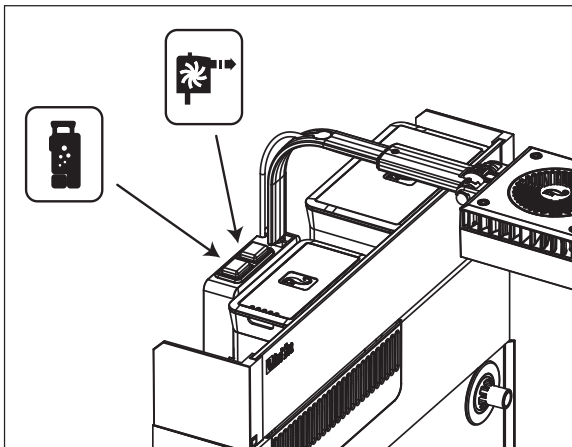
先にあるDCコネクターをアダプターのケーブルのコネクターに接続します。しかし、LEDユニットの設定の準備が整うまでは、アダプターを電源に繋がないでください。

9 ポンプスイッチボックスの操作

ポンプスイッチボックスは循環ポンプとスキマーポンプ電源のオン/オフのコントロールが簡単に行えるように設計されています。給餌やメンテナンスなどの日頃の作業時に大変便利です。

2つのスイッチがオフの位置になっているのを確かめてから、電源プラグをコンセントに接続します。ポンプが完全に水中に沈んでない内は、ポンプの電源を決して入れないでください。

正しくお使いの場合は、ケーブルコネクタに水が浸入しないよう設計されています。コネクタ自体は防水仕様ではありませんので、水に浸からないようにしてください。



10 LEDの設定とプログラミング

ReefLED™50の設定とプログラミングは、LEDモジュールに付属の説明書をご参照ください。

プログラムのガイドライン：

照射時間：デイライト/ムーンライト

日中の照射時間は8-12時間とし、最大照度での照射時間が9時間を超えないようにしてください。サンゴや魚には昼や夜となる時間が必要です。ムーンライトは最大4時間までとしてください。

順化期間

高い照度をもつLED照明からの光阻害を防ぐために、新規に立ち上げたシステムや新しいサンゴの導入時には順化期間を設けることをお勧めします。

順化期間はサンゴによって異なりますが、立ち上げの際は下記の通り8週間設けることをお勧めします：

日中の照射時間を先述しましたが、順化期間中は4時間の最大照射時間で最大照度の60%を超えないようにすることをお勧めします。2週間ごとに最大照度を10%ずつ引き上げてください。

順化期間には光に対するストレスが下記の様に表れます：

- ・細胞の表面部分の白化/色抜け（奥の部分ではピグメントと褐虫藻は見え続けます）
- ・ポリプの収縮
- ・軟部組織内の気泡

上記の兆候が見られた場合、最大照度を4週間20%落とし、その後1週間に5%ずつ最大照度まで引き上げます。

新しいサンゴを順化期間の終えたシステムに導入する場合は、水槽の低層から置き始めて、数週間かけながら徐々にサンゴに最適な場所に移動してください。

光の障害/ストレスのサインを見逃さないようにし、必要なら回復のために低層に戻してください。

11 水槽の水張り

人工海水の説明書に従い人工海水を用意します。水槽に人工海水を入れる前に、底砂やライブロックを入れておく事をお勧めします。これらの内容により必要とされる全水量が大きく異なります。

海水を本水槽とリアサンプ、スキマー内（スキマーが注水により浮き上がってくることを防ぐため）に注水し、水位が循環ポンプのアウトレットノズルと同じ位置になるまで加えます。スキマーポンプと循環ポンプのスイッチを入れてください。

注意：水槽内で海水を作った場合、人工海水が完全に溶解するまで待ち、塩分濃度や水温が希望の値になってから、最終的な水位を調整してください。

12 プロテインスキマーの操作

飼育水中の汚れや有機物の濃度は常に変化するので、スキマーの調整は随時行う必要があります。

スキマーの機能はリアサンプで起きる通常の水位変動（水分の蒸発による）では影響を受けませんが、表示された上限と下限の間に維持する必要があります。

スキムアジャスターの上部で形成された泡は集積されコレクションカップのネックを上がっていきます。

スキムアジャスターを調整し、スキマーボディ内の水位をネックの付け根あたりにセットしてください。

泡が乾きすぎているまたはネックの低い位置に集まっている場合は少しずつスキムアジャスターを上げます。反対に、泡が水っぽい場合はアジャスターを下げて希望する泡の状態に調整します。

オーバースキミング

気泡混じりの水がコレクションカップ内へ流入しコントロールできないオーバースキミングになった場合には、入りきらぬ水はコレクションカップの上部にあるオーバーフロースロットよりサンプ内に戻ります。

オーバースキミングをコントロールするにはスキムアジャスターを一番低い位置にセットし、エアーインレットの先にエアーバルブを取り付け、泡が安定するまでエアー供給量を減らします。

その後は空気の供給量によるスキマーの調整を続けます。エアーバルブを全開にしてもスキマーが安定していたら、エアーバルブを外し、スキムアジャスターによる調整に移行してください。

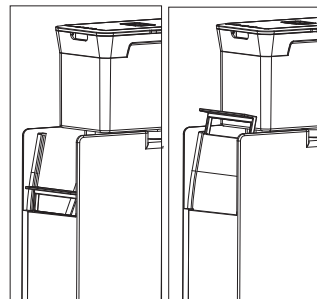
新しいスキマーまたは立ち上げ時

スキマーは水中にタンパク質が含まれる時にだけ泡を生成することができます。プロテインは気泡の表面に吸着され気泡が丈夫な構造になること

で、スキマーのネックを登りコレクションカップ内に集積されます。新規水槽の立ち上げでは汚れを排出する生物も少なく、タンパク質の量も多くありません。

また、新しいスキマーが効果的に機能する前に、数日間の慣らし期間を要する場合があります。また、製造時の無害な残留物が水の表面の張力に影響を与えることで、

オーバースキミングを引き起こすことは珍しくありませんが数日間で正常になります。



給餌と添加剤の投与

スキマーは日常的に投与される液体フードや添加剤などに含まれる界面活性成分に対して非常に敏感です。これらの物質は泡の形成に著しく影響を与え、オーバースキミングを引き起こす原因ともなります。これらを投与する際にスキマーのスイッチを30分間切ることをお勧めします。また、物質の影響により通常の泡の状態に戻るまで長時間を要する場合があります。

コレクションカップ

コレクションカップ内の溜まった汚水の量を監視し、定期的に捨ててください。

汚水を捨てる際は、同時にネックの内側に付着した汚泥を洗い流してください。汚泥はスキミング能力に著しく影響を与えます。もし、中性洗剤などでカップを洗ってしまった場合は、スキマーに取りつける前に水道水でしっかりと洗ってください。

13 全般的な水槽のメンテナンス作業

レッドシーマックス内の生物が長期にわたって良好で健康な状態であり続けるかどうかはあなたの管理に委ねられています。適切な計画を立てることにより、水槽の管理がし易くなり、迅速に実行することができます。

そうすることで、自分の水槽を楽しむという本来の目的に費やす時間をより多く持てるようになります。水槽のケアは、定期的、論理的なパターンに沿って行う必要があります。ここでは、機器のチェック、給餌、水質テストおよび調整といった作業を毎日、毎週、毎月行う手順に分割し説明します。

体系的なチェックリストの作成、実施した作業の記録は役に立ちます。

作業記録は複雑なものを作成する必要はありませんが、以下の項目を記録すると良いでしょう。

- 水槽の水質-pH、塩分濃度、温度など
- 水槽と個々の生物の全般的な様子
- 器材の変更-蛍光管やヒーターを交換した日付など
- カーボンや他のフィルター材の交換
- それぞれの生物の固有情報-水槽に入れた日付、移動や除去、およびそのサイズ、ストレスや病気の兆候など

水位

自動給水装置の水位をチェックを毎日行い、蒸発した分の水を補給してください。

水槽内の水位が高すぎる場合はサーフェススキマーが詰まっていないかを確かめください。

サーフェススキマー

適正な水の循環を維持するため、また本水槽とリアサブ間の適正な水位差を安定させるため、少なくとも1週間に1度はサーフェススキマーのスリット部分を取り外し、きれいに清掃して下さい。定期的にスリットを弱酸性の液体（酢やクエン酸）に浸し、石灰藻や炭酸カルシウムの付着物を取り除いてください。

プロテインスキマー

コレクションカップの泡の状態をチェックし、スキマーアジャスターまたはエア量を調整して安定したドライな泡を維持してください。コレクションカップの汚水を捨て、ネック部分をきれいに洗浄してください。

ポンプ

循環ポンプが正常に作動しているか、また、吐出ノズルが正しい方向に向いているかを確認してください。流量が弱くなったと感じた場合は、ポンプと吐出ノズルの両方に詰まり（巻貝、カニ、活性炭の破片など）が無いかを確認してください。

スキマーと循環ポンプの適正な機能を維持するために、定期的な清掃を行ってください。

注意：カルシウムとアルカリ度の高い水槽では、より頻繁なメンテナンスが必要です。

ポンプの清掃方法:

- スイッチボックスのポンプのスイッチを切り、電源ケーブルを抜いてください。
- インペラーカバーを外し、インペラーを取り出します。
- インペラーやカバーなど全てのパーツを清掃し、モーターのインペラーチャンバー（インペラーが収まっていた場所）を柔らかい布で拭き取るか軽くブラッシングします。炭酸カルシウムの固着物を取り除くために、パーツを弱酸性の溶液（酢やクエン酸）に浸します。
- 全てのパーツを水洗いし、組み立て直して水槽に戻します。全てが完了したら、電源プラグをソケットに差し込みます。

注意：清掃後にもかかわらずポンプから機械的なノイズが聞こえる場合や、流量が回復しない場合は、ポンプまたはインペラーが原因の恐れがあります。ポンプまたはインペラーは消耗品なので定期的に交換してください。

水温のコントロール

リーフアクアリウムの最適なコンディションを保つには、水温24℃から28℃を安定して維持する必要があります（水温の安定が特に重要です）。短時間のわずかな温度変化には耐える事ができますが、急激な温度変化は望ましくありません。最低でも1日に2回、水温を監視し、急激な変動がないかを注意します。

1日の温度差が2℃以上になることは避けてください。季節の変わり目や、冷暖房を使用する時には、水温の確認をより頻繁に行います。

活性炭の交換

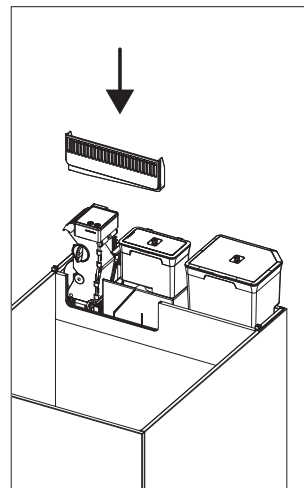
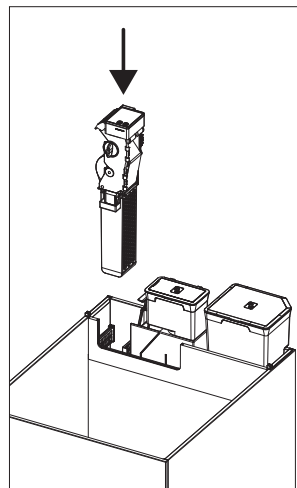
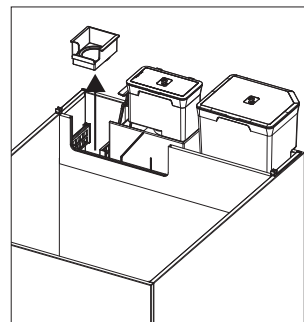
2ヶ月毎に交換してください。

交換用カーボンはREEF SPEC カーボンをおすすめいたします。

14 オプション機器の設置

NanoMat

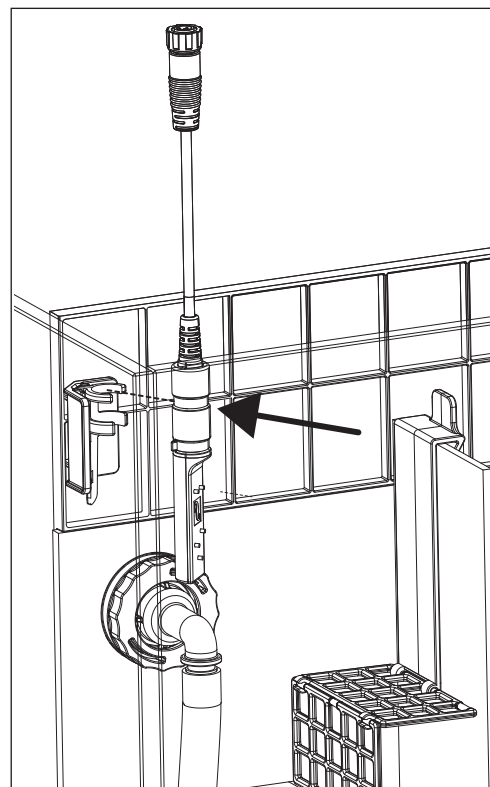
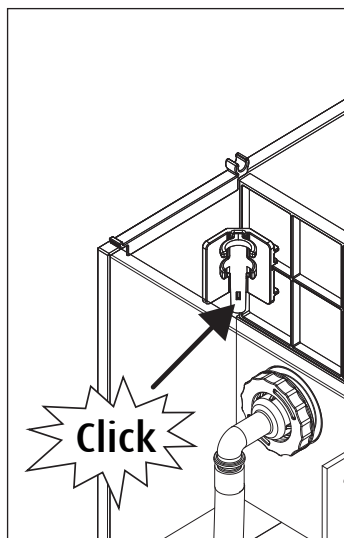
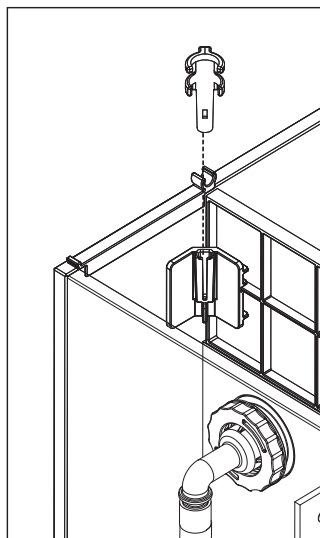
フィルターバッグホルダーを取り外します。NanoMatに付属している説明書に従って取り付けてください。



ReefATO+

ReefATO+を取り付けるには、標準装備の自動給水装置を取り外し、図のようにReefATO+センサーをホルダーに取り付けます。

ReefATO+に付属している説明書に従って取り付けを完了させてください。



15 トラブルシューティング

Q. 新しくセットした水槽でスキマーがスキミングをしていないように見えます。

A. 飼育水の塩分濃度が適正範囲内であるかお確かめください。スキマーが新品の場合、もしくは掃除をした直後の場合は、水で再度洗い流しサンプに戻してください。数日中にスキミングを開始するでしょう。スキマーは水の濃度や生産過程に付着したプラスチック製の残留化学物質に反応します。こういった残留物はアクアリウムには安全なものですが、スキマーの能力を数日間低下させます。また、海水中にタンパク質が含まれている時にだけ、スキマーが機能します。それらのタンパク質が気泡の表面に付着し、構造的に硬くなることでスキマーネックに押し上げられコレクションカップに入ります。

Q. 新しいプロテインスキマーがゆるく水分の多い泡を大量に生成しています（オーバースキミング）。

A. 水分の多いゆるい泡が過剰に生成される場合（オーバースキミングとも呼ばれます）、スキマーで除去する必要がある化学物質の存在を示しています。安定した泡が生成されるまで、スキマーアジャスターの位置を下げてネック内の水位を下げ、エアバルブを取り付けて空気の流入量を制限します。スキマーが全ての化学物質を除去するには数日間は必要です。

Q. スキマーが泡を生成しない。または、すごく乾いた泡がネック部分に蓄積します。

A. 新規立ち上げ期間では生体から排泄物が少なく、有機物も極わずかなので泡の生成には不十分です。もし、マックスに生体がたくさん入っている場合、必要に応じてスキマーアジャスターの高さを上げ、エアバルブを開けてください。リアサンプの水位をチェックし、最適な水位まで上げてください。もし、それでも少しの泡しか得られない場合、エアホースもしくはスキマーの吸水口に詰りが無いか検査してください。

もし、それでも少しの泡しか得られない場合、エアホースもしくはスキマーの吸水口に詰りが無いか検査してください。

Q. 新しいスキマーではなく、給餌または添加剤の投与後にオーバースキミングを起こします。

A. 前述の12章をご参照ください

Q. 本水槽内の水位が高すぎる。

A. サーフェススキマーのスリットにコケや貝殻などの詰まりが無いかチェックします。スリット部分を取り外し、清掃してください。

Q. ポンプが作動しない、または機械的なノイズを発生しています。

A. 前述の説明を参考にメンテナンスを行ってください。

Q. 循環ポンプが細かい気泡を水槽内に放出します。

A. リアサンプ内にある全ての区画の水位が適正になるように、蒸発した水分を淡水で補充します。サーフェススキマーまたはフィルタースポンジに詰まりが無いかチェックし、循環ポンプ全体が完全に水没していることを確かめてください。

海水水槽での少量の細かい気泡の存在は普通であり想定内の現象です。強力なスキミングを用いることは良い水質の秘訣です。有機物の汚れを分解される前に取り除き、高い酸化還元値を維持します。スキマー内では水に空気が過飽和な状態となります（同条件の温度と気圧で通常より多くのガスが水中に溶けます）。スキマーを通過し過飽和状態にされた水は弛緩し、過分のガスを細かい気泡の形状にして放出します。マックスシリーズの循環ポンプは底面付近に配置されており、フィルタースポンジにより気泡がポンプの給水口に吸い込まれないように設計されていますが、スポンジ内に蓄積され

た気泡が放出される場合もあります。スポンジを定期的に取り出して清掃し、元の場所に取り付けてください。

水質調整剤を使用した水道水や天然海水を使用すると細かい気泡が大量発生する場合があります。多くの水質調整剤や調整剤入りの人工海水、不純物が混入した天然海水では水の表面張力が上がることで一部の気泡がスキマーチャンバーから逃れ、ポンプを通過して水槽に入ってきます。水道水を使用する場合は水質調整剤や塩素除去剤を添加しないでください。水を使用する前に24時間汲み置きして、塩素が自然に消散するように処理します。

16 製品保証

レッドシーのアクアリウムシステム（以降、「製品」）のご購入誠にありがとうございます。

Red Sea Aquatics (UK) Ltd. (Red Sea) では、当初購入から12か月の期間について、材料および仕上りの欠陥に対してご購入製品の保証を行います。また、製品の登録を済ませた場合には、ガラス水槽のみ（正規キャビネット使用時のみ適用、および製品の他の部品は含まれない）を対象とした、もう12か月の延長保証を行います。登録を条件とする保証条件が法律で禁止されている司法管轄区では、登録は不要であり、登録しなくてもガラス水槽の12か月の延長保証を受け取るものとします。

製品の登録は、<https://www.redseafish.com/ja/certificate-of-warranty/>

レッドシーが提供する保証は元の購入者に限定され、譲渡品または中古購入品には適用されません。製品がこの保証の対象である場合、Red Seaは独自の裁量で、新しい部品または再生部品で製品を修理するか、新しい製品または再生製品との交換を無料で行います（送料は購入者負担となります）。

この保証は、使用上に影響のない細かな傷や欠損に関しては対象としていません。また、インペラーやフィルターバッグ、Oリングなど消耗材も対象外です。また、天変地異や事故による損傷、運搬中に発生した損傷、誤用、乱用、不注意、不適切な設置方法、あるいは別用途での使用、構造変更により発生した故障は対象とはなりません。また、提供された指示（製品マニュアルなど）、または製品が使用されている国の技術および安全基準に従って製品を使用または組み立てていない場合やRed Seaが認定していない者による製品の変更は、この保証を無効とします。

保証期間中または保証期間後、本製品に問題が生じた場合は、購入された小売店または弊社にご連絡下さい。また、Red Seaのウェブサイト内にも情報のみを提供するサポートセンターがあります。保証行為の実行には購入日を証明するものが必要です。

RedSeaは、この製品の使用の結果発生した偶発的、間接的損害、またはこの保証の侵害により発生した偶発的、間接的損害には責任を負いません。販売性および特定用途への適合性の保証を含め、すべての明示的および暗示的保証は、上記該当保証期間に限定されます。この保証でなされた明示的な保証は排他的であり、いかなる代理店、販売店、または他の者によっても、変更、拡大、または変更することはできません。これらの文言は、お客様の法的権利に影響を及ぼすものではありません。本製品の使用による生体の死亡等には一切の保証は行いません。

在线注册

延长您的水族箱保修期

在官网注册您新购买的水族箱，除可以享受常规2年保修外，还额外对水族箱的玻璃缸部分免费延长1年的保修期*



红海 MAX[®] NANO G2

设备齐全的即插即用型[®] 顶盖开放式珊瑚礁岩系统

安装和操作手册

MAX® NANO G2 安装和操作手册

MAX® NANO G2 配件	118
安全	120
位置	121
取出 MAX® NANO G2 系统	122
参数	123
装配	124
背滤零部件安装	125
自动补水安装	130
LED 模块安装	130
泵开关盒操作	131
LED 装配和编程	132
初次蓄水	132
蛋白质分离器的操作	133
水族箱维护总则	134
附加可供选购的设备	136
故障排除	138
保修	139

感谢您购买红海 MAX® NANO G2全功能珊瑚礁岩系统。

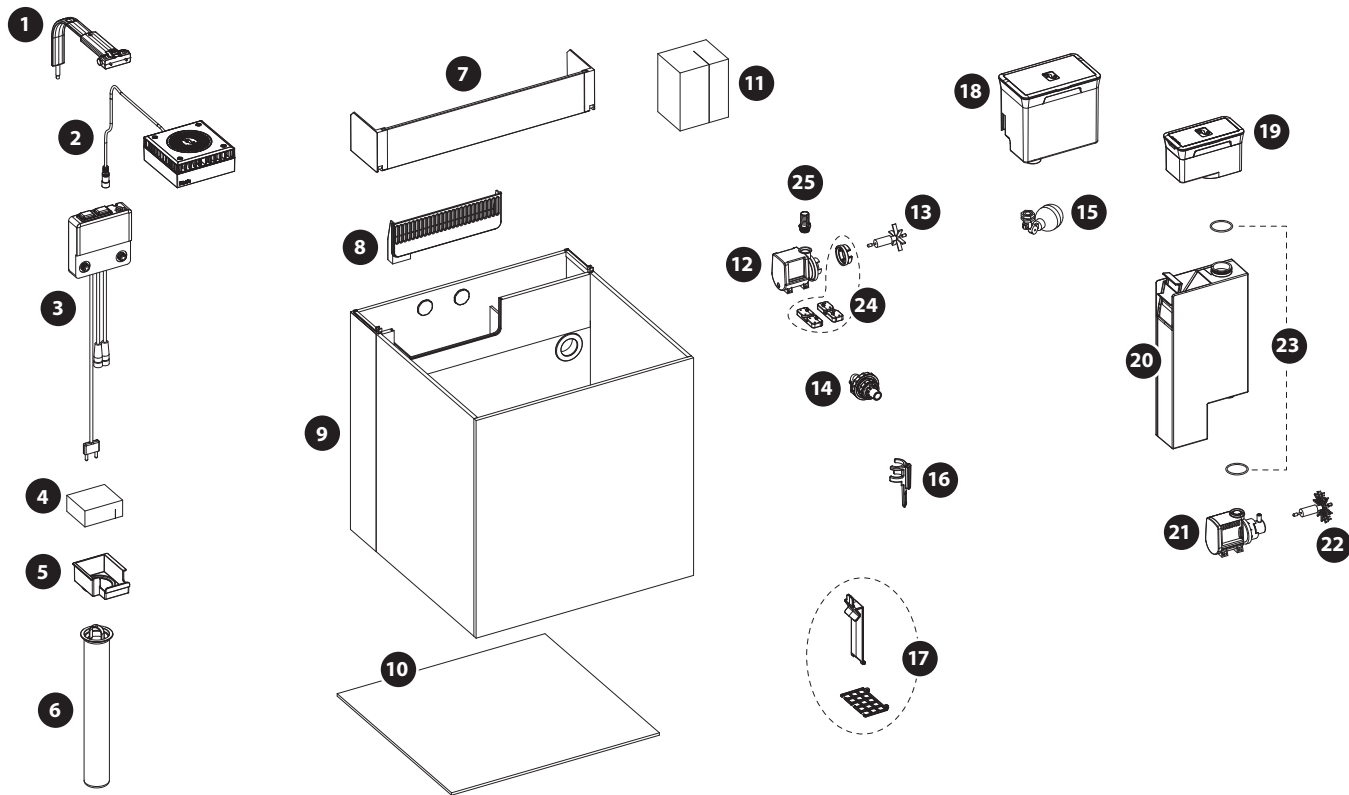
红海MAX®的成功之处在于依据珊瑚饲养的经验，在人工水族箱中模拟一个天然并适合珊瑚和其它珊瑚礁生物生长的环境。在海洋中，繁盛的珊瑚礁只出现在那些有特定物理环境的水域，需具备充分的光照，充足的水流，稳定的温度和足够的透明度。

红海MAX®让您在家中拥有自己的海底世界不再是梦想。

希望您能尽情享受你的MAX®带给您的快乐！

获取更多产品信息和专享特别优惠，请注册成为我们的 MAX® 系列产品的拥有人，注册网址为 redseafish.cn

MAX NANO G2 配件



	配件	MAX NANO G2 方缸	MAX NANO G2 隔断式	MAX NANO G2 XL
1	ReefLED 50安装支架	R40600	R40600	R40600
2	ReefLED 50	ReefLED 50	ReefLED 50	ReefLED 50
3	泵开关盒	R40588	R40588	R40588
4	蛋分出水口滤棉	R40605	R40605	R40624
5	滤袋支架	R40623	R40623	R40623
6	微米滤袋	R40580 (225 微米)	R40580 (225 微米)	R40580 (225 微米)
		R40581 (100 微米)	R40581 (100 微米)	R40581 (100 微米)
7	背滤屏	R40613	R40613	R40614
8	除油膜水流刷	R40612	R40612	R40612
9	主缸	R40615	R40616	R40617
10	EVA垫	R40598	R40604	R40618
11	除泡棉	R40606	R40606	R40607
12	循环泵	R40589	R40589	R40608
13	循环泵转子	R50423 (50hz)	R50423 (50hz)	R50403 (50hz)
		R50424 (60hz)	R50424 (60hz)	R50404 (60hz)
14	泵出水口喷嘴	R40590	R40590	R40590
15	浮阀	R40599	R40599	R40599
16	ReefATO+传感器固定夹	R40621	R40621	R40621
17	滤材固定器	R40622	R40622	R40622
18	自动补水	R40594	R40594	R40611
19	MAX NANO 蛋分收集杯	R40593	R40593	R40518
20	MAX NANO 蛋分主体	R40626	R40626	R40610
21	MAX NANO 蛋分泵	R40591	R40591	R40609
22	Nano蛋分泵转子	R50425 (50hz)	R50425 (50hz)	R50405 (50hz)
		R50426(60hz)	R50426(60hz)	R50406 (60hz)
23	MAX NANO蛋分O-型圈	R40579	R40579	R40579
24	循环泵脚垫和入水口	R40619	R40619	R40620
25	循环泵宝塔接头	R40625	R40625	R40625

1 安全

请仔细阅读并遵守所有安全说明书。

危险: 处理湿的水族箱时, 务必小心, 尽量避免触电。
若出现下列情况, 请勿擅自进行维修; 装置应送到经授权的服务网点返修或废弃不用。

警告: 为防止受伤, 应遵守基本安全防范措施, 包括以下内容:

- 若其电源线或插头损坏、发生故障, 或以任何方式掉落或损坏, 请勿操作任何装置。若外部电线损坏, 应由生产厂商来进行替换。
- 避免装置插头或插座进水, 竖立放置水族箱并使水族箱紧靠装有插座的墙壁一侧, 以防止水滴落到插座或插头上。为把水族箱装置连接到插座上的电源线, 用户应制作一个“滴水环”(如图1所示)。“滴水环”是插座或连接器下方的电源线部分。如有必要, 使用延长线路, 以避免水沿着电源线流入插座。如果插头或插座已进水, 请勿拔除电源线。断开装置电源保险丝或电路, 然后拔除设备并检查插座内是否进水。
- 为避免受伤, 请勿触摸正在工作的设备。
- 当装置闲置时, 配置或移除配件, 以及进行清理前, 请拔除电源插座。请勿拽拉电源线来拔除电源插座。应手握插座, 拔出电源线, 断开。
- 除预期用途外, 请勿把装置用于其他用途。使用未经装置制造商建议或出售的附件可能引起危险。
- 请勿把装置安装或存放在室外或冰点以下的温度环境里。

· 操作装置前, 请确认已正确安装及放置。

仔细阅读并遵守装置上所有重要提示。

注: 电源线额定电流或电压低于装置额定功率会引起过热。
务必注意排列电源线, 以免意外绊倒或扯开。

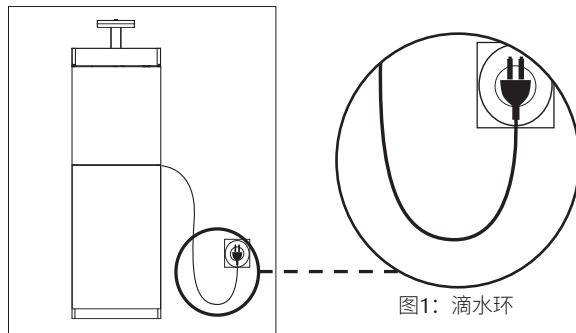


图1: 滴水环

2 位置

设置 MAX® NANO G2 系列产品的第一步是选择适宜的位置。

电源供应

确保用于 MAX® NANO G2 系列产品的电源插座以及打算配备的任何额外设备（比如加热棒、冷水机）与该系统额定电源(75W)相符。电源插座必须接地并连接于RCD/RCCB（电流式漏电断路器或漏电断路器），也称GFI/GFCI（接地故障断路器）保护电路。

基底

支架下方的基底必须平整，并且其额定最低静载荷为14kg/cm²（200 lbs/平方英寸）。

室温

场地选择对维持适宜温度是至关重要的。建议适宜室温稳定维持在22°C / 72°F。避免把水族箱放置在空调前，加热通风管或直射阳光。放置水族箱的理想地方是通风良好且阳光适度的房间。

可及性

- 背面: 确保 MAX® 后面至少有10cm (4")的空隙, 以便冷水器空气流通, 同时便于整体操作。
- 侧-背面: 确保水族箱两边、邻墙或设备有足够的空间 (约60cm/24"), 以便定期修护除油膜水流刷、蛋白质分离器、循环泵和过滤介质, 以及安装或移除电源中心的电缆。

总则

确保水族箱周边区域防水和避免海水可能导致的损坏和腐蚀的可能。

3 取出 MAX® NANO G2 系统

动手前，请仔细阅读该部分内容。

1. 移除EVA垫和鱼缸顶部的保护性包装。
2. 移除放置在水族箱里面的配件的任何包装材料。
3. 打开配件箱及移走所有配件待稍后组装使用。

取出水族箱

箱体两边各安排一人，紧握水族箱上部边缘并轻轻提起来，然后放置在指定的表面上。

警告：水族箱底部为原玻璃材质。事先准备好可承受水族箱重量的光滑、柔软、清洁平整的表面，以及EVA垫以放置水族箱。

注意：虽已采取所有安全措施以确保 MAX® NANO G2 水族箱系统安全到达，但还是建议在安装新玻璃水族箱前，先检查其是否有损坏或漏水。
把水族箱放置在适宜位置并给水族箱和后部注水箱注水到玻璃顶端下方约2.5cm (1")处。注水结束后，静置15分钟，检查是否漏水。
移除前，用虹吸管吸出所有的水。

水族箱约重（空缸）

型号	公制 (kg)	英制 (lb)
MAX NANO G2 方缸	23	51
MAX NANO G2 隔断式	27	60
MAX NANO G2 XL	38	84

4 参数

MAX® NANO G2 系统主要配件	MAX® NANO G2 方缸	MAX® NANO G2 隔断式	MAX® NANO G2 XL
MAX® NANO G2 型号玻璃水族箱含集成背滤	75L	100L	125L
背滤蛋白质分离器	NANO G2		NANO XL
循环泵	1 x 950lph		1 x 1550lph
MAX® NANO G2 底柜 (可供选择)	自组装		
泵开关盒	✓		
ReefLED® 50	50W		
滤棉	2		
活性碳含拉绳袋	100g		
背滤屏	✓		
自动补水	✓		
可拆卸滤袋支架 (兼容NanoMat)	✓		
微米滤袋	✓		
预留ReefATO+传感器固定夹	✓		

5 组装

向系统加水前，按照所描述的顺序组装所有的配件。

注意：正对水族箱，可以看到手册指定的左右两边

5.1 底柜装配

警告：若没有自组装设备的安装经验，请寻求适宜合格人员的协助。

在附随的图表手册里可查看 MAX® NANO G2 底柜的安装详细说明。
需使用符合规范的十字起子安装底柜。严禁使用电动螺丝刀。

调整即推即开 (PTO) 开门单元。

按压PTO单元一端1.5mm (1/16")便会把轴弹向前方5cm (2")，到打开的位置。

在底柜内来回推动PTO轴，便会把其锁定在关闭位置。

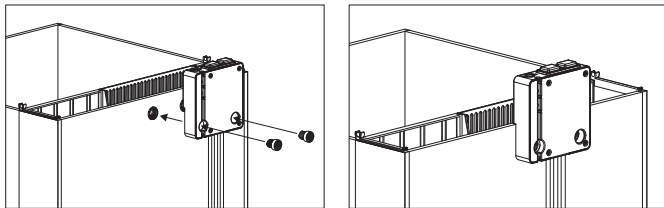
底柜门安装完毕后，确保PTO处在关闭位置并确定门铰链可完全关闭该门。当门处在关闭位置时，按压PTO区的门，门应弹开。如果门未能弹开，应逆时针向对杆转动轴半圈，以调整PTO的位置。反复调整门的位置，直到按压门时，可以正常操作PTO。

组装完毕后，把底柜放置在理想的位置。

5.2 泵开关盒

泵开关盒板要与水族箱背滤墙上的孔对齐，使用螺丝固定在恰当位置。此刻切勿安装支架或模块。

注意：切勿把开关盒电源线插进您的插座，除非要求这样做。



5.3 放置水族箱

至少需要两 (2) 个人才可以把玻璃水族箱放到底柜上。底柜顶部离地面距离约86cm (34")。确保提起水族箱的人的体质适宜进行此项工作，并且其经指导知道如何提取重物。必须从底部拖起水族箱。

把EVA垫放在底柜的顶部或其它能支撑鱼缸的表面。EVA垫比鱼缸略小。把玻璃和垫的背部对齐，其它边保留3mm的空间。

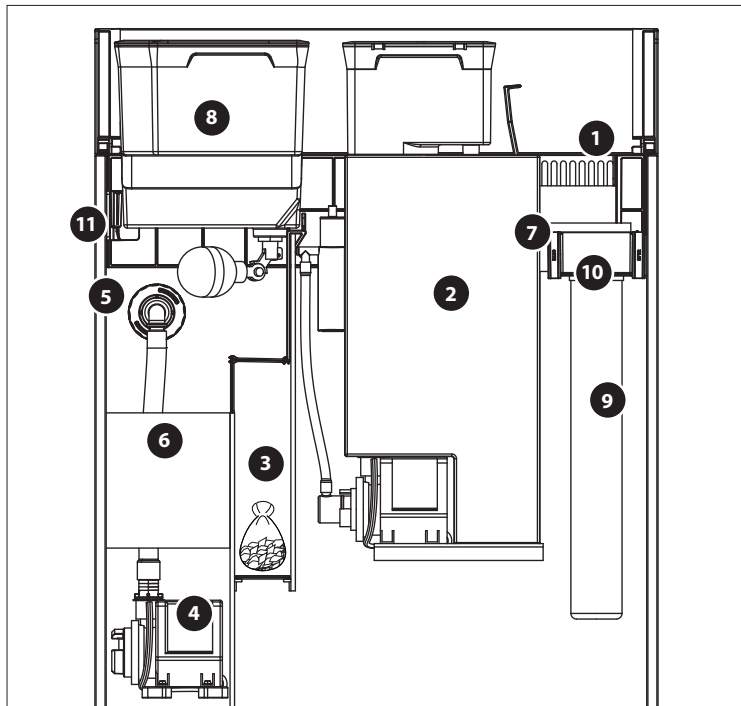
在提起水族箱前，把装配好的底柜放到最终的操作位置（见上述位置）并且把玻璃水族箱安装就位。

背部和侧面的玻璃应和底柜顶部的背部和边角对齐。

一旦水族箱与底柜刚好对齐，检查底柜是否移动。如果有必要，重新调整底柜的位置。

6 背滤组件的安装

1. 可拆卸除油膜水流刷
2. 蛋白质分离器
3. 活性炭
4. 循环泵
5. 泵出水口喷嘴
6. 除泡棉
7. 分离器出水口滤棉
8. 自动补水
9. 微米滤袋
10. 可拆卸滤袋支架
11. ReefATO+ 支架



MAX® NANO G2 背滤组件装配图。

MAX® NANO G2 过滤和循环系统的概述

MAX® NANO G2背滤有一套完整的多级过滤系统，由REEF-SPEC®蛋白质分离器、活性炭及机械过滤材料组成。

水流引入背滤后，通过机械和化学滤材循环全部水体达每小时12次，然而蛋白质分离器的水流循环达到SPS所需的每小时3次。

水流从主缸进到背滤经过一个可拆卸的表面除油膜水流刷，引导含有众多有机物的水面进到背滤。

来自除油膜水流刷的水在进到分离器舱内之前，会被立即引导进去一个微米滤袋。如果滤袋没经常清洗干净而导致堵塞，那么水就会越过微米滤袋，且不会影响到背滤的正常运作。

在循环泵的作用下，水将经过蛋分仓，REEF-SPEC®活性炭和除泡棉，最后通过一个多方向的出水口送回到水族箱内。当泵正在运作的时候，水族箱中的水位应保持在低于边缘大约2.5cm (1")。

为保持系统有一个恒定的水位，MAX® NANO G2包含了一个1.5L容量的自动补水系统，这应足够补充大约2天的蒸发量。在补水系统没水的情况下，水族箱还能在不影响运行的情况下再蒸发1升（盐度上升略小）。因此，MAX® NANO G2 在没有加水的情况下，应至少可运作3天。

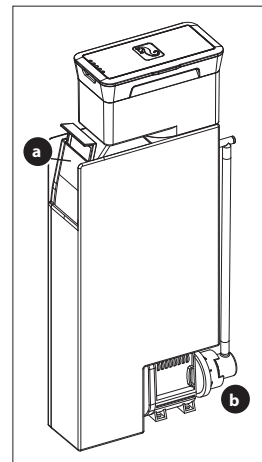
6.1 蛋白质分离器:

MAX® NANO G2 蛋白质分离器由三部分组成：蛋分主体、收集杯和蛋分泵。

通过拆卸和重新组装所有的部件能让你更熟悉蛋分泵。确保转子腔盖放置的位置正确以及被螺纹喷环合理保护。使用之前检查水泵和电源线没有损坏。

解说图：

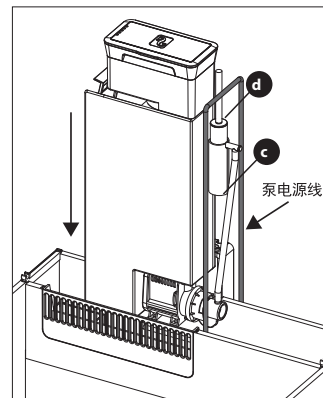
- 蛋白质分离器调节器
- 文丘里进气口
- 气管
- 小气管



NANO G2 蛋白质分离器

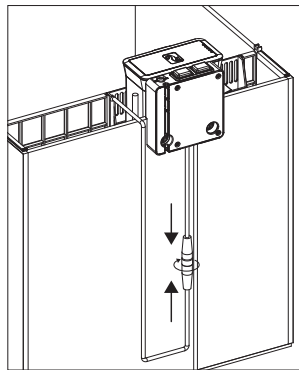
如下所示示意图安装蛋白分离器。

- 设置蛋白分离器水位至最低位置。
- 把通气管从分离泵的文丘里管入口连接到消声器的出口上。
- 把小型通气管连接到消声器的入口上。
- 分离器备了空气阀。请勿在初始安装时连接空气阀，只能按照操作说明书。
- 把泵电源线放在分离器的一边，如图表所示。然后滑动分离器进到分离器隔间促使消音器刚好与玻璃隔板接触。



NANO G2 蛋白质分离器

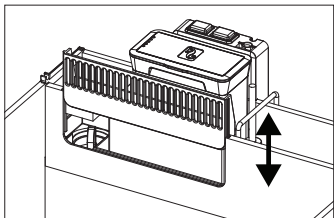
6. 把电源线从后墙穿过, 然后连接到泵电源盒左边电源线, 拧紧连接头螺母。



蛋白质分离器电源线

6.2 除油膜水流刷:

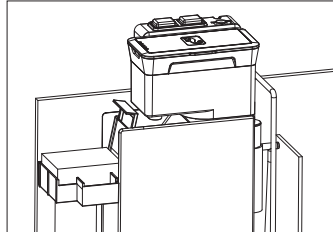
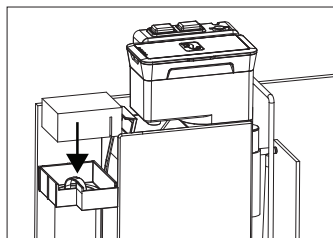
配备的可移除的除油膜水流刷已预先组装在正确的位置, 位于鱼缸和背滤中间的位置。如需移除除油膜水流刷, 简单的朝上提起便可。请注意除油膜水流刷设有指引着水进到微米滤袋的通道。



除油膜水流刷/梳形部分

6.3 微米滤袋:

检查可拆卸滤袋支架是否正确安装, 微米滤袋是否安装在滤袋支架中。如图所示, 将小块黑棉放在滤袋支架上, 使黑棉同时也接触到蛋白的侧面。

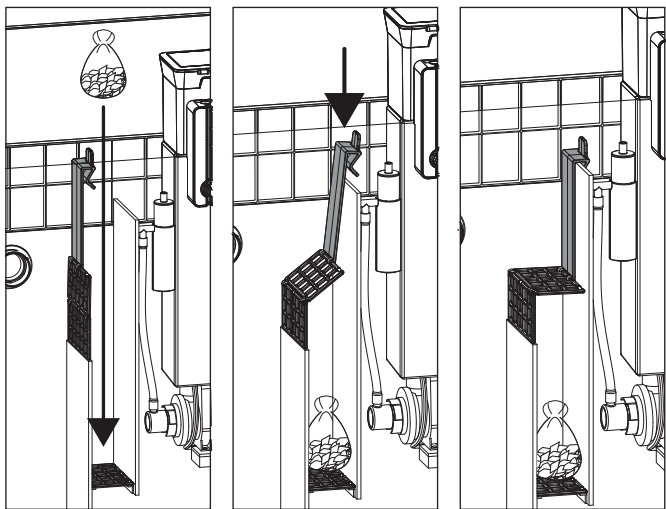


滤袋和滤棉

注意: MAX* NANO G2 配备一个225微米网纱滤袋(#40580)。100微米细滤袋(#40581)可从红海经销商处购买。

6.4 活性炭:

用流水冲洗活性炭过滤材质几次，以清除残留碳粉。建议使用前将其浸在水中24至72个小时，否则可能在设置后的头三天内，碳会漂浮并从孔内释放出微小气泡。把已洗过的活性炭放进蛋分右边的仓内，让它放置在离玻璃顶部以下大约30cm (12") 的格栅。关闭滤材固定器以防止碳向上漂浮。

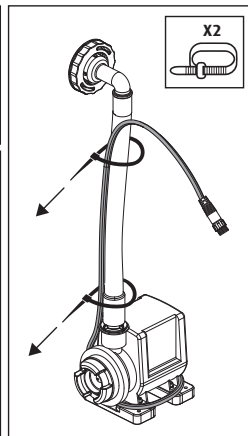
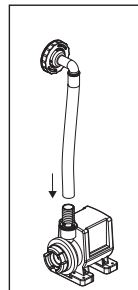
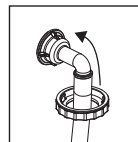
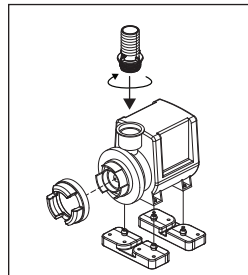


6.5 循环泵:

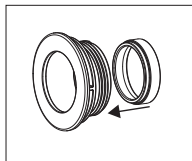
如图所示了解多方向出口。

通过拆卸并重新组装所有零配件来熟悉循环泵。确保正确放置叶轮室罩并用卡口接环妥善固定。确保流量阀在全开状态。扭紧连接固定水管和泵的喷嘴。

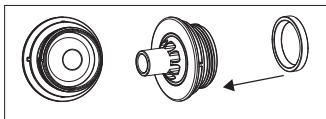
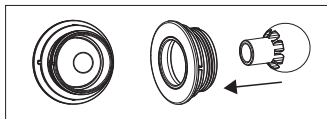
1. 使用前，检查泵和电源线是否破损。
2. 将橡胶脚垫卡口推到泵上，并将宝塔接头插入出水口然后拧紧
3. 在泵上安装软管，使出水口喷嘴的螺纹接头按照示意图所示与泵垂直。
4. 如图所示，将电源线缠绕在泵上，并使用提供的电源扎带固定在软管上。



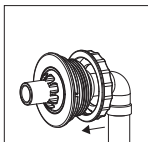
5. 眼球底座插入已安装在玻璃上的固定架内。这个配件牢固的拧紧以便日后维护泵的时候不会漂浮。然而它也可以移除如清洁需要。



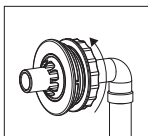
6. 把眼球的出水口连同垫圈插进去出水口固定架。



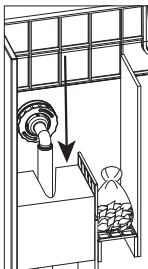
7. 确保橡皮垫圈在连接器的适当位置，调低整体装配到泵室内，以便螺纹连接器穿过玻璃墙上所准备的孔内。



8. 把出水口固定在螺纹连接器上并靠缸壁拧紧。并注意，避免水泵在开启时喷洒，请将喷嘴调整至向下位置。



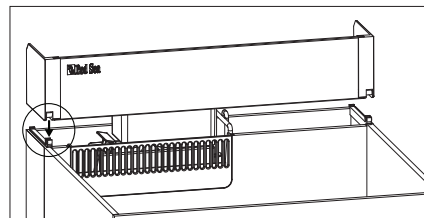
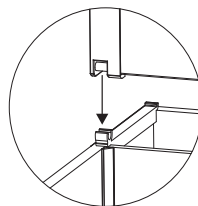
9. 把电源线从后墙穿过，然后连接到泵电源盒左边电源线，拧紧接头螺母。



10. 循环泵固定后，把泵电源线从后墙反穿进来，靠近泵盒，然后把黑色过滤海绵放入泵室内，海绵上的裂缝与软管道相一致。

6.6 背滤玻璃屏：

把背滤玻璃屏放置在背滤前方玻璃上面。对齐卡槽连接口然后按下直到固定在位置上。需旋转时，把玻璃屏往前翻下平躺在主缸上。

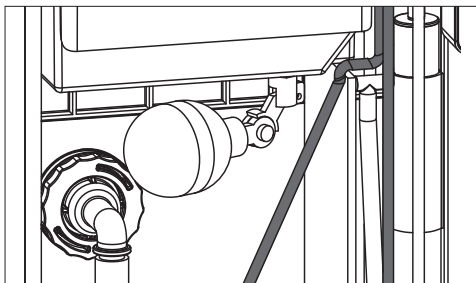
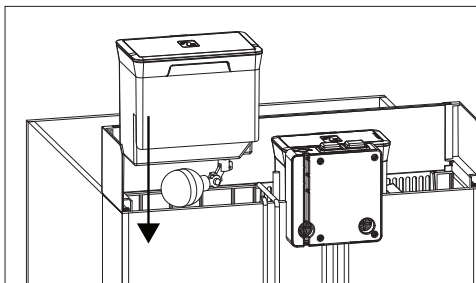


CHN

7 自动补水(ATO):

MAX® NANO G2配备的ATO单元已经完全组装好的，安装到系统之前不需要做任何的调整。但要确保浮阀需处于正确的角度如图表所示。把循环泵和蛋分泵的电源线放在泵开关盒的一侧，然后滑动ATO进到滤缸的后壁位置。确保循环泵的电源线放在位于容器底部的隐蔽处。

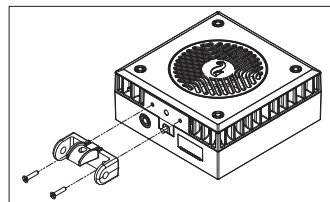
注意：切勿把RO水加进ATO，直到您把海水装满到系统的正确容量。



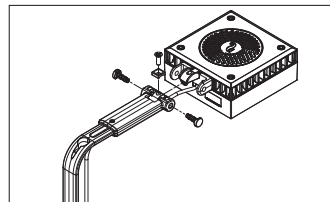
8 LED 模块的安装

MAX® NANO G2上的ReefLED® 50通过一个旋转接头安装到支架上。支架通过泵开关盒上方的孔，固定到水族箱上。组装完毕后的整个LED可以左右旋转，方便造景和背滤的维护，尤其在取出蛋分的时候。

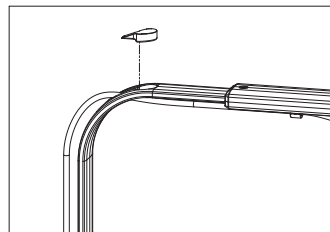
1. 使用配备的M3螺丝，如图所示，固定好旋转连接头。



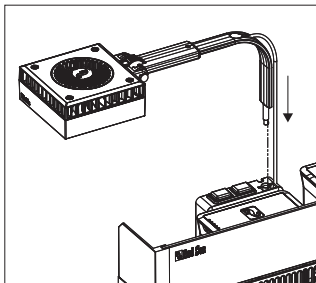
2. 把固定在ReefLED上的旋转接头推进支架延伸部件，往两侧插入插销，对准用力往里推，直至牢固固定。将固定螺丝牢牢锁紧在连接头上，直至ReefLED被确认已稳固。



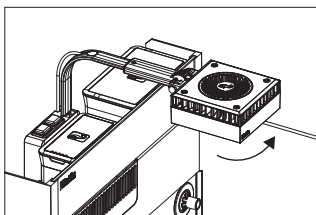
3. 把电源线从安装支架弯曲处的孔穿过去，然后用塞子把电源线孔盖好。



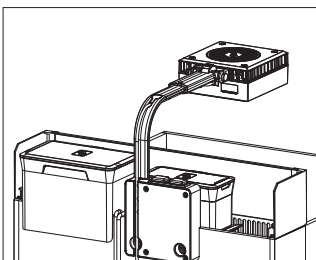
4. 把LED支架安装到电源盒，必须把LED向着侧面（如图所示）。确保支架底部的插销与开关盒的孔位对准。把电源线放在水族箱背部。



5. 把支架插进开关盒上方，完全插入后将支架调回正面。



将电源线从泵开关盒背部的凹槽穿过。拧松旋转连接头顶部的固定螺丝，调整灯头的位置，直到与鱼缸顶部平齐，重新拧紧固定螺丝。找一个安全的地方放置电源供应器，比如底柜。



把LED单元上的DC接头连接到电源供应器，但不要将电源插头插到墙上的插座上，直到您要准备设置LED。

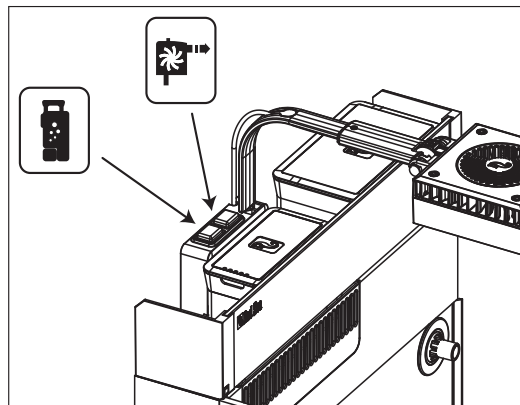
9 泵开关盒操作

泵开关盒就是在日常活动中例如喂食或维护，为循环泵和蛋分泵提供简易的开/关控制而设计。

确保两个开关处于关闭状态。然后把电源线插进墙上的插座。切勿把泵的开关打开直至泵完全浸入水中。

电源线接头的设计为了防止在正确使用下，避免任何水分的渗入。接头是不防水的，因此绝对不能浸泡于水里。

CHN



10 LED 设置与程序编辑

请按照 ReefLED® 50随带的说明书进行设置和程序编辑。

程序编辑指导：

光周期：日光/月光

日光周期应该介于8到12小时。最大光照亮度不超出9小时。珊瑚和鱼都需要有黑暗的周期。月光应限制在最多4小时左右。

适应周期

为避免因LED灯的高强度导致光抑制现象，针对新水族箱或当引进新珊瑚时，建议一个适应周期。

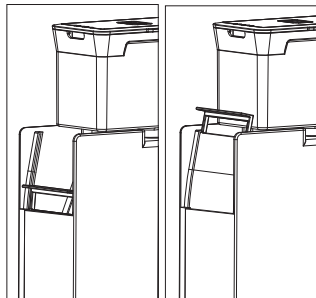
适应周期会因不同种类的珊瑚而变化。无论怎样，对于新设置建议使用一个长达8个星期的周期。

在适应期间，注意光应激和光抑制的现象，比如：

- 组织部分的上层变白/褪色（下层部分会继续展现颜色和虫黄藻）。
- 水螅生物退缩。
- 软组织体内的气泡。

如出现上述任何一种症状，应立即将适应亮度降低20%，并维持4个星期，随后每星期增加5%，直至达到最大亮度为止。

当把新珊瑚引入已经适应了的系统时，首先要做的是将它们放置在水族



箱较低的位置，然后在几周的时间里逐渐地把它们提升到它们所期待的位置。继续观察是否有光抑制/光应激的迹象，如果有必要的话，把受到影响的珊瑚放回水族箱较低的位置，让它们复原。

11 初次蓄水

按照混合说明来混合人工海水。建议在蓄水前，在水族箱内放入任何底沙或活石，因为这会影响所需的水体容量。

把海水加入到主水族箱、背滤池并直接加入蛋白质分离器（以防止蛋白质分离器漂浮），直到水位到达循环泵出口喷嘴处。开启蛋白泵和循环，往系统内加入更多的水，直到背滤池内水位达到侧板可见的水位表上。

注：如果在缸内进行混盐，应等到盐分已经完全溶解，确保盐水已经达到理想的盐度和温度才调节最终的理想水位。

12 蛋白质分离器操作

由于水中密度和有机物质时常发生变化，所以有时必要相对的调整分离器。

水位调整器的上升和下降控制着蛋白质分离器产生泡沫的稠度。

分离器主体上部将形成泡沫并不断堆积上升到收集杯的脖颈处。设置水位调整器的位置，以便分离器主体内的水位几乎在脖颈底部。

如果泡沫过度干燥或开始堆积在脖颈下方，慢慢地提起水位调整器，直到泡沫稠度达到理想的程度。如果泡沫水分太多，调低水位调整器。

泡沫爆冲

无法控制水流入收集杯内。

如果发生过度爆冲的情况，多余的水将从位于收集杯顶部的溢流槽回流到水族箱中。

为控制过度爆冲，确保水位调整器设置在最低位置，进气管顶部的空气阀减少进气，直到泡沫稳定。通过调整进气，继续控制除沫。当空气阀完全打开，除沫稳定时，移除空气阀，并用水位调整器控制除沫。

新分离器或设置

蛋白分离器产生的气泡表面附着大量的结构刚性蛋白，通过气泡上升把水中的蛋白收集于收集杯中。新的水族箱中，生物负载较低，蛋白质的含量较低。

在新的蛋白质分离器正式有效运行前，需要几天的短期磨合。在这期间，影响水表面张力的无害化学残留物质会起中和作用，所以爆冲是正常现象。

喂食与添加

分离器对表面活性化合物非常敏感，比如经常向水族箱内添加的食物和食物添加剂。此类物质可以在很大程度上影响泡沫的生成，并在某些情况下引起爆冲现象。在添加此类物质前，应立即关闭分离器并静置30分钟或更长时间，直到分离器在无需重新设置水位调整器的情况下恢复正常的泡沫活动。

收集杯

观察收集杯内积聚的浮沫量，并定期清空收集杯。当清空收集杯时，用水冲洗瓶颈内部，因为瓶颈内积聚的浮沫会对分离器性能造成不利影响。如果用清洁剂清洗收集杯，确保在重新放回到分离器前，彻底全面冲洗干净。

13 水族箱护理总则

想让您的MAX®水族箱里的生物长时间成功健康的生长取决于你本身。合理的计划可以让你护理你的礁岩缸变得更容易且见效更快。这会留给您更多的时间实现你饲养珊瑚礁岩缸目的，享受你的水族箱。鱼缸护理需遵循定期，合理的模式。可以把工作分成每日，每周和每月的程序，包括设备检测，喂养，水参数测试和调节。

你会发现做一个系统的护理工作表和保持记录鱼缸变化非常有用。你的记录不需要太复杂，但应包括下列内容：

- 水族箱参数-pH、盐度、温度等。
- 水族箱内各种生物的状态。
- 设备变更-例如何时变换灯管或替换加热器等。
- 替换活性炭或其他过滤介质。
- 每种生物的特定信息-何时添加、移动或移除，它们的大约尺寸、任何紧急情况或生病现象等。

水位

每日定期检查ATO的水位，并按照规定添加淡水，以补充蒸发掉的水分。如果水族箱内的水位过高，检查除油膜水流刷是否被堵塞。

除油膜水流刷

每周至少一次拆卸并清洗除油膜水流刷，以便水族箱和背滤箱间的水流顺畅和水位差异稳定。定期浸渍在弱酸性溶液中（醋、柠檬酸），直到所有的碳酸钙沉淀溶解。放回水族箱之前彻底清洗。

蛋白质分离器

检查收集杯内的泡沫生成，并按照规定改变水位调整器或空气流量，以便保持稳定的干燥泡沫。按照规定清空收集杯瓶颈并进行清洗。

泵

检查循环泵运转是否良好并指向正确方向。若水流量出现任何退化现象，检查每个泵和出口喷嘴是否堵塞（有钉螺、螃蟹、碳屑等）。

为确保分离器和循环泵的正常运转，应定期进行清洗。

注：钙以及碱度较高的水族箱需要进行维护的次数更为频繁。

清洁泵：

- 从开关盒上把泵的开关关掉，然后拔掉电源线。并从水族箱上移除。
- 移除掉叶轮壳并取出叶轮。
- 用软布或刷子清洗电机所有的部件、叶轮壳、叶轮和叶轮室。清除碳酸钙沉淀，并用弱酸性溶液（醋、柠檬酸）浸渍部件，直到沉淀溶解。
- 彻底冲洗所有部件、重组泵，重新连接电线到电源上之前，确保固定连接所有管道并重新放回水族箱。

注意：若在清洁后，泵发出机械噪声，重新放置叶轮。叶轮是耗损部件，需定期进行替换。

水温控制

珊瑚礁岩水族箱的理想条件是水温固定在24-28°C / 76-82°F的范围内（温度稳定比精确值更为重要）。只要温度不快速变化，可以接受短期温度的稍微升高。每天至少两次监视温度，避免极其波动。

避免日间温差超过2°C / 7°F。季节变化期间给房屋供暖或制冷时，更加要频繁地观察水族箱温度。

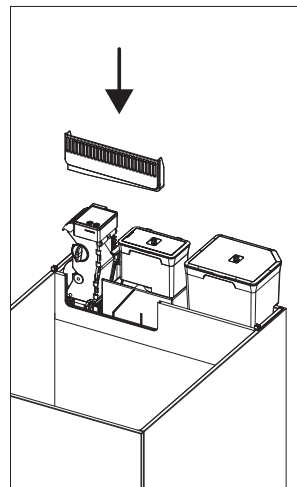
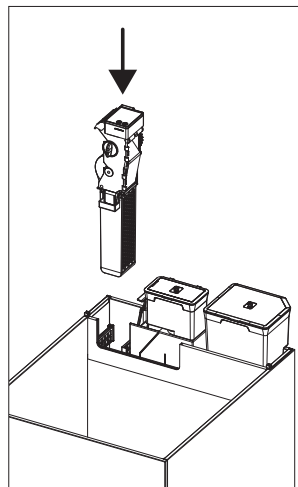
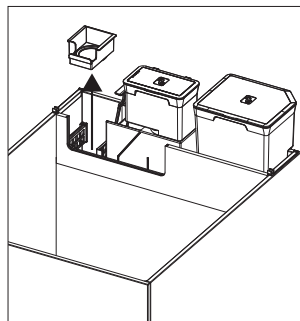
替换碳过滤器

每两个月更换一次活性炭过滤器。

14 附加可供选购的设备

NanoMat 滤布机

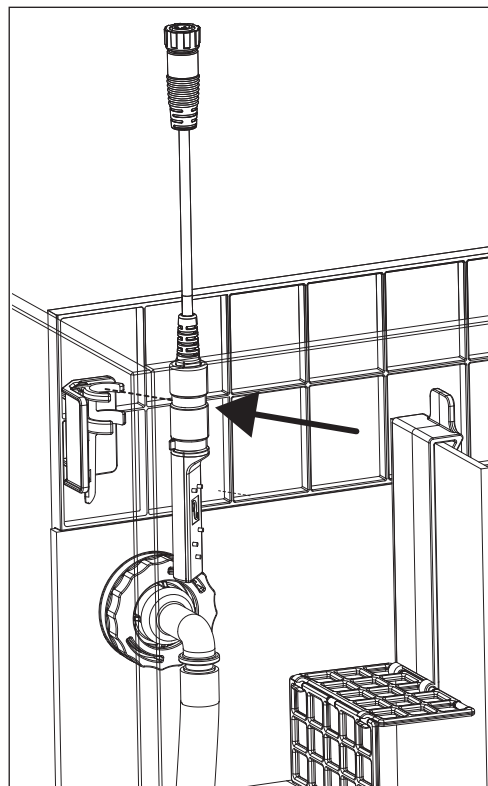
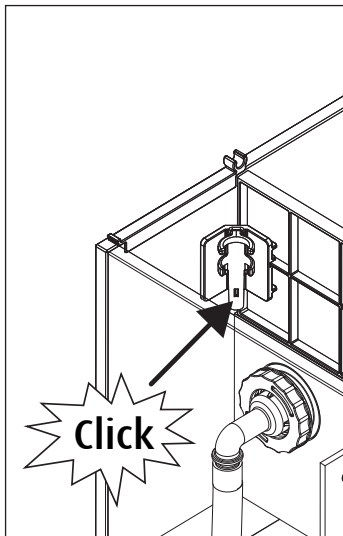
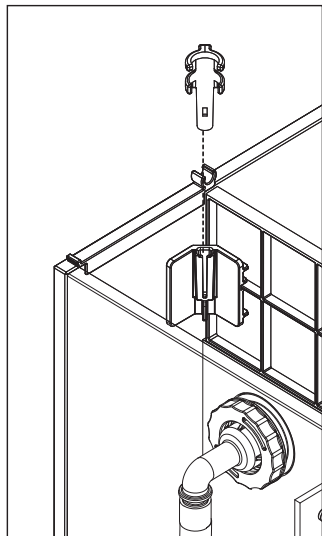
取下滤袋支架，并按照NanoMat附带的安装说明进行操作。



ReefATO+

要安装ReefATO+，请拆除现标配的ATO系统，并将ReefATO+传感器安装在支架中，如图所示。

按照ReefATO+提供的说明书完成安装。



14 故障排除

Q. 如果重新设置后，但是看起来分离器仍然不能够正常撇沫。

A. 检查珊瑚礁水族箱内的水分盐度是否在正常范围内。如果新设置或刚刚清洗过分离器，用水彻底冲洗并重新放回到水族箱内。分离器应在几天内开始生成泡沫。运行过程中，水密度以及其他无害化学残留物发生变化，分离器都会有所反应。然而这不会对水族箱造成危害，几天内将妨碍分离器的效率。谨记，水中含有蛋白质，分离器才会工作，因为这些刚性结构蛋白质附着在气泡表面，并通过上升到分离器在收集杯内沉淀。

Q. 我的蛋白分离器是新的，产生很多淡薄多水的泡沫（泡沫爆冲）。

A. 产生大量淡薄多水的泡沫-亦称之为泡沫爆冲，表明水体存在需要用分离器清除的化学物质。必要时，调低分离调整器的位置，以减少分离器瓶颈内的水位，如果必要，通过拧紧空气进口处的空气阀来降低空气流动并限制空气流动，直到泡沫稳定生成。需要几天时间来清除分离器中的所有化学物质。

Q. 如果重新设置后，但是分离器不能够生产泡沫或者泡沫太过于干燥聚集在瓶颈上。

A. 在设置新缸期间，生物负载和有机物的量是很低并可忽略。如果您的MAX®水族箱已有很多活体，可以提升分离器挡板的高度，并打开空气阀。检查后部过滤室内的水位，并使其增加到理想水位线处。如果生成的泡沫依然很轻，检查空气管道或分离器入口处是否有堵塞。

Q. 若我的分离器不是新的，并且在喂食或加入食物添加剂后，出现泡沫爆冲的现象。

A. 参阅第12章中的喂食或食物添加剂部分内容（第111页）。

Q. 水族箱内水位过高。

A. 检查除油膜水流刷梳状部分是否存有诸如大型藻类或蜗牛之类的限制水流，并按照上述说明清理梳状部分。

Q. 泵停止工作或发出机械噪声。

A. 按照上述说明拆卸并清理泵。

Q. 循环泵向水族箱内注入微气泡。

A. 确保已经添加淡水来补充蒸发出的水分，检查背滤池全部隔室内水位正常，除油膜水流刷或过滤介质没有任何阻塞物阻碍泵完全潜入水中。可以预料到海洋水族箱内有少量微泡是很正常的。充分除沫是水质好的秘诀，因为可以在有机废弃物的分解之前将其去除，并保持较强的氧化还原水平。可以用水气过饱和和结合来实现这一目的，即在给定温度和压力下，往水中注入超出正常水平的气体。一旦过饱和水离开分离器，其便变得“轻松”并以微气泡的形式释放出过度气体。MAX® NANO G2系列产品中的泵紧靠水族箱底部，并提前用海绵进行过滤，以防止气泡到达泵进口处。海绵内可能有积聚起来的滞留空气。移除掉海绵，冲洗后，重新放回水族箱上。如果所用水源是自来水或天然海水，可能还会有微气泡。天然海水中所含有的很多稳定剂、一些大分子盐和杂质会增加水的表面张力并使得部分气泡逃逸出分离器室并通过泵流出去。我们强烈建议，请勿使用自来水。如果您使用自来水，请勿添加稳定剂或脱氯剂。把水引入水族箱前，静置24小时，以便氯自然挥发。

15 质保

红海水族产品质保

感谢您购买红海水族箱系统（以下简称“产品”）

Red Sea Aquatics (GZ) Ltd公司（以下简称“红海”）会对您的产品从购买日期算起24个月内出现的材料和工艺的不良进行保修。如果您对产品进行了注册，红海会提供给您额外的12个月保修期，仅限水族箱的玻璃缸部分（不包含产品的任何其它部件）。在法律禁止以注册为条件的保证条款的司法管辖区，不需要注册，即使您没有注册，您也将获得玻璃水族箱的额外12个月的保修。

您可以登录官网www.redseafish.cn注册您的产品。

红海公司提供的保修不可转让，并且仅限于原始购买者。如果产品符合本保修条款，红海将自行决定使用新零件或翻新零件免费维修产品（不包含运输费用），或以新产品或翻新产品替换产品。

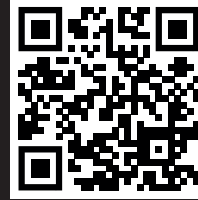
此保修不涵盖正常的磨损、或自然寿命有限的物品或消耗品，例如，但不限于叶轮，海绵，过滤网，和“O”型密封圈。它也不包括运输过程中发生的损坏，因非正常使用而导致的故障或缺陷，和/或自然灾害、事故、线路故障、疏忽、安装、操作或维护不当，由红海指定服务商以外的任何人提供服务而导致的故障。未能按照提供的任何说明（产品手册或其它），或在使用产品所在国家/地区的技术或安全标准外使用或组装产品。此外，未经授权的红海服务中心对产品进行的任何修改都会使本保修无效。

为了使本保修生效，请联系您当地的服务中心。为了您的方便，授权服务中心的详细信息可以在红海的官方网站上找到。在执行保修之前，须提供购买凭证。

针对红海的唯一和专属的补救措施是对上述产品进行维修或更换。不得提供任何其它补偿(包括但不限于，对利润损失、销售损失或任何其它附带或间接损失赔偿)。某些司法管辖区不允许排除附带或间接损害，因此上述限制可能不适用于您。在适用法律允许的最大范围内，在任何情况下，红海均不对因使用本产品或因违反本保修条款而造成水生生物和/或其它财产和/或个人的任何损失或损害负责。在适用法律允许的最大范围内，所有默认的保修条款均被排除，并且在可能不排除的范围内，默认保修仅限于上述规定的适用保修期。某些司法管辖区不允许制暗示性担保的持续时间。因此限制可能不适用于您。在本保修中作出的明文保修是排他性的，任何批发商、经销商或其他人不得改动、扩大或变更。

Plan ahead with MyRecipe® Wizard

Get a tailor-made recipe with your recommended salt type, supplements and more...



SCAN ME

Red Sea U.S.A

4687 World Houston Parkway
#200 Houston,
TX 77032, U.S.A
support.usa@redseafish.com

Red Sea Europe

655 Rue des Frères
Lumière 27130 Verneuil
d'Avre et d'Iton, France
support.fr@redseafish.com

UK & Ireland

Red Sea Aquatics (UK) Ltd
PO Box 1237
Cheddar, BS279AG
uk.info@redseafish.com

Germany & Austria

Red Sea Deutschland
Büro Deutschland
Prinzenallee 7 (Prinzenpark)
40549 Düsseldorf
support.de@redseafish.com

China

Red Sea Aquatics (GZ) Ltd
Block 2-4, No.168, West Yingbin
Road, Xinhua Industrial Park,
Huadu District, Guangzhou City,
China, Postal code 510812.
Tel: +86-020-6625 3828
info.china@redseafish.com

株式会社エムエムシー企画レッ
ドシー事業部

〒174-0063
東京都板橋区前野町6-29-4
info@mmclanning.com



Scan to join our Facebook group

The largest, fastest growing community of reefkeepers, sharing tips, experience & insights

#8767G2_MAX NANO G2 Operation Manual_Multilanguage_V24C

